



Product	MasterRib
----------------	------------------



FL No.	9610.4
---------------	---------------

Material	Finish
	Galvalume
	Painted

Gauge (minimum)	26
------------------------	-----------

Deck Description	Plywood
New construction	19/32"
Existing construction	15/32"

Deck Attachment	Spacing
Field Screws: #8 - 2" wood screws	12" O.C.
Perimeter Screws: #8 - 2" wood screws	6" O.C.

Underlayment	30# Felt
---------------------	-----------------

Roof Slope Ranges	Sealant
Slope: 1/2 /12 to less than 3/12	Side Lap
Slope: 3/12 and greater	None

Panel Fasteners	Spacing
SDS Screws: #9-15 x 1.5" long	See Tables
Side Lap SDS Screws: 1/4 x7/8" long	See Tables

Fastener Spacing (along panel length, inches)

Wind Z Speed mph	one No. Roof Hip Location	Roof Slope			
		Gable Roof			Roof
		.5 to <1.5/12	1.5 to <6/12	6 to 12/12	1.5 to 5.5/12
100	1 Field	30	30	30	30
	2 Edge	30	30	30	30
	3 Corner	30	30	30	30
110	1 Field	30	30	30	30
	2 Edge	30	30	30	30
	3 Corner	24	24	30	30
120	1 Field	30	30	30	30
	2 Edge	30	30	30	30
	3 Corner	24	24	30	30
130	1 Field	30	30	30	30
	2 Edge	24	24	24	30
	3 Corner	24	24	24	30
140	1 Field	30	30	30	30
	2 Edge	24	24	24	30
	3 Corner	N/A	24	24	30

Fastener Spacing* (across panel width)

Panel Ends (eave, valley, hip and ridge):	Location
<p>Place fasteners 2" from panel end</p>	Ribs and Flat
Between Panel Ends (Intermediates):	Location
	Ribs and Flat

*Fastener spacing based on testing

Notes:

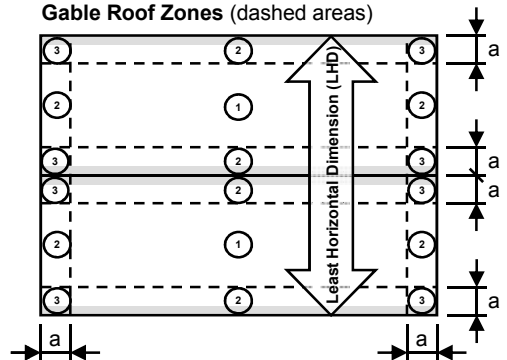
1. Read all Notes before purchasing material and check compliance of the product with local building code requirements.
2. The Fastener Spacing Table below is based on a mean roof height of up to 25' for Exposure C. For roof eave heights over 25' and other exposures contact Union Corrugating Company.
3. Installation must be in complete compliance with the materials and related specifications listed on this page, MasterRib Installation drawings, and the Florida Building Code RAS No. 133.
4. See MasterRib installation drawings for additional approved trim details and applications.
5. Refer to Florida Building Code RAS No. 133 "Standard Procedures for Installation of Metal Roof Systems".
6. For applications not in compliance with this product approval as listed contact Union Corrugating Company for other options.
7. This application and installation method is for use in HVHZ areas governed by Miami Dade Product Approval. See the Union Corrugating Miami Dade Approved Product use guide for these areas.
8. If the roof has both Gables and Hips use the Gable Roof Fastener Spacing Table.
9. For Hip Roof slopes greater than 5.5/12 use Gable Roof Table, 6 to 12/12 column.
10. Guide is subject to change without notice.

Calculate Zone width (dimension "a"):

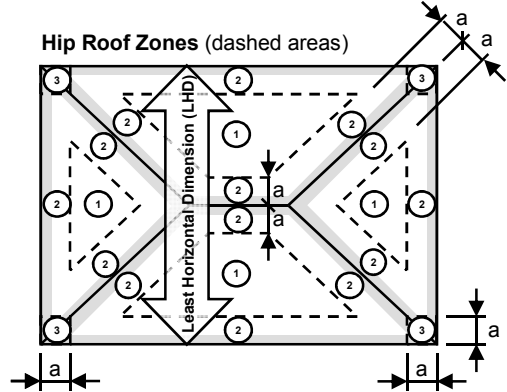
$a = LHD \times 10\%$

Note: "a" must be a minimum of 3".

Gable Roof Zones (dashed areas)



Hip Roof Zones (dashed areas)



Gray highlighted lines indicate the location of panel end fastening at the eave, hip, valley (not shown), and ridge.



**BUILDING CODE COMPLIANCE OFFICE (BCCO)
PRODUCT CONTROL DIVISION**

**MIAMI-DADE COUNTY, FLORIDA
METRO-DADE FLAGLER BUILDING
140 WEST FLAGLER STREET, SUITE 1603
MIAMI, FLORIDA 33130-1563
(305) 375-2901 FAX (305) 375-2908**

NOTICE OF ACCEPTANCE (NOA)

**Union Corrugating Company
701 South King Street
Fayetteville, NC 23802-0229**

SCOPE:

This NOA is being issued under the applicable rules and regulations governing the use of construction materials. The documentation submitted has been reviewed by Miami-Dade County Product Control Division and accepted by the Board of Rules and Appeals (BORA) to be used in Miami Dade County and other areas where allowed by the Authority Having Jurisdiction (AHJ).

This NOA shall not be valid after the expiration date stated below. The Miami-Dade County Product Control Division (In Miami Dade County) and/or the AHJ (in areas other than Miami Dade County) reserve the right to have this product or material tested for quality assurance purposes. If this product or material fails to perform in the accepted manner, the manufacturer will incur the expense of such testing and the AHJ may immediately revoke, modify, or suspend the use of such product or material within their jurisdiction. BORA reserves the right to revoke this acceptance, if it is determined by Miami-Dade County Product Control Division that this product or material fails to meet the requirements of the applicable building code.

This product is approved as described herein, and has been designed to comply with the Florida Building Code and the High Velocity Hurricane Zone of the Florida Building Code.

DESCRIPTION: Master Rib® Metal Roof Panel

LABELING: Each panel shall bear a permanent label with the manufacturer's name or logo, city, state and the following statement: "Miami-Dade County Product Control Approved", unless otherwise noted herein.

RENEWAL of this NOA shall be considered after a renewal application has been filed and there has been no change in the applicable building code negatively affecting the performance of this product.

TERMINATION of this NOA will occur after the expiration date or if there has been a revision or change in the materials, use, and/or manufacture of the product or process. Misuse of this NOA as an endorsement of any product, for sales, advertising or any other purposes shall automatically terminate this NOA. Failure to comply with any section of this NOA shall be cause for termination and removal of NOA.

ADVERTISEMENT: The NOA number preceded by the words Miami-Dade County, Florida, and followed by the expiration date may be displayed in advertising literature. If any portion of the NOA is displayed, then it shall be done in its entirety.

INSPECTION: A copy of this entire NOA shall be provided to the user by the manufacturer or its distributors and shall be available for inspection at the job site at the request of the Building Official.

This renews NOA No. 06-1002.14 and consists of pages 1 through 6.
The submitted documentation was reviewed by Alex Tigera.



**NOA No.: 07-0713.03
Expiration Date: 09/05/12
Approval Date: 09/06/07
Page 1 of 6**

ROOFING ASSEMBLY APPROVAL:

Category: Roofing
Sub-Category: Non-Structural Metal Roofing
Material: Steel
Deck Type: Wood
Maximum Design Pressure -114.3 psf. See Table A Herein

TRADE NAMES OF PRODUCTS MANUFACTURED OR LABELED BY APPLICANT:

<u>Product</u>	<u>Dimensions</u>	<u>Test Specifications</u>	<u>Product Description</u>
Master Rib Metal Roof Panel	Length: varies Width: 41" (Coverage width : 36") Height: ¾" Min. Thickness 0.019"	TAS 125	Metal Roof panel coated with various approved coatings of Ceram-A-Star® 1050.

EVIDENCE SUBMITTED:

<u>Test Agency</u>	<u>Test Identifier</u>	<u>Test Name/Report</u>	<u>Date</u>
Akzo Nobel Coatings, Inc.	Lab Test Certification	ASTM B-117 ASTM G-23	
Ceram-A-Star	Lab Test Certification	ASTM B-117 ASTM G-23	
PRI Asphalt Technologies, Inc.	UCC-002-02-01	TAS 100	05/22/02
Hurricane Test Laboratory, Inc.	0293-0417-02 0293-0611-05	TAS 125	06/14/02 06/28/05



NOA No.: 07-0713.03
Expiration Date: 09/05/12
Approval Date: 09/06/07
Page 2 of 6

SYSTEM DESCRIPTION

SYSTEM A-1S: "Master Rib" 26 Ga. Metal Panel

Deck Type: Wood, Non-insulated

Deck Description: $19/32$ " or greater plywood or wood plank.

Slope Range: 2": 12" or greater

Maximum Uplift Pressure: See General Limitations #2

Deck Attachment:	In accordance with applicable Building Code, but in no case it shall be less than #8 x 2" screws spaced at 6" o. c. In reroofing, where the deck is less than $19/32$ " thick (Minimum $15/32$ "), the above attachment method must be in addition to existing attachment.
Underlayment:	Minimum underlayment shall be an ASTM D 226 Type II installed with a minimum 4" side-laps and 6" end-laps. Underlayment shall be fastened with corrosion resistant tin-caps and $1\frac{1}{4}$ " annular ring-shank nails, spaced 6" o.c. at all laps and two staggered rows 12" o.c. in the field of the roll.
Valleys:	Valley construction shall be in compliance with Roofing Application Standard RAS 133 and with Union Corrugating Company's current published installation instructions.
Fire Barrier Board:	Any approved fire barrier having an NOA. Or for class A or B fire rating, install minimum $\frac{1}{4}$ " thick Georgia Pacific "Dens Deck" (with current NOA) or minimum 4mm thick of Tritex, RockRoof (with current NOA) or $\frac{5}{8}$ " water resistant type X gypsum sheathing with treated core and facer or Elk Versashield (with current NOA).
Metal Panels and Accessories:	<p>Install the "Master Rib Roofing Panel" and accessories in compliance with Union Corrugating Company's current published installation instructions and details. Flashing, penetrations, valley construction and other details shall be constructed in compliance with the minimum requirements provided in Roofing Application Standards RAS 133.</p> <p>Master Rib Roofing Panels shall be fastened with a minimum of #9 Hex Head Wood corrosion resistant fasteners with sealing washer. Fasteners shall of sufficient length to penetrate through the sheathing a minimum of $\frac{3}{16}$". Fasteners shall be place in accordance with fastener detail herein as follows:</p>



1. Panel side ribs shall be fastened along side of the panel inside rib, one fastener at the overlap. Field panel ribs shall be fastened with one fastener per rib the side of the panel.
2. All fasteners at center ribs and overlap rib shall be spaced at a maximum distance as noted in **Table A** below parallel to the roof slope. See detail herein.
3. Pane overlap shall be fastened at the high point with ¼-7/8” long Hex Head corrosion resistant fasteners with sealing washer spaced at a maximum distance as noted in **Table A** below parallel to the roof slope. See detail herein.

TABLE A		
Maximum Design Pressure		
	Field	Perimeter and Corner¹
Maximum Design Pressure	-61.8 psf	-114.3 psf
Maximum Fastener Spacing	30” o.c.	24” o.c.
1. Extrapolation shall not be allowed		

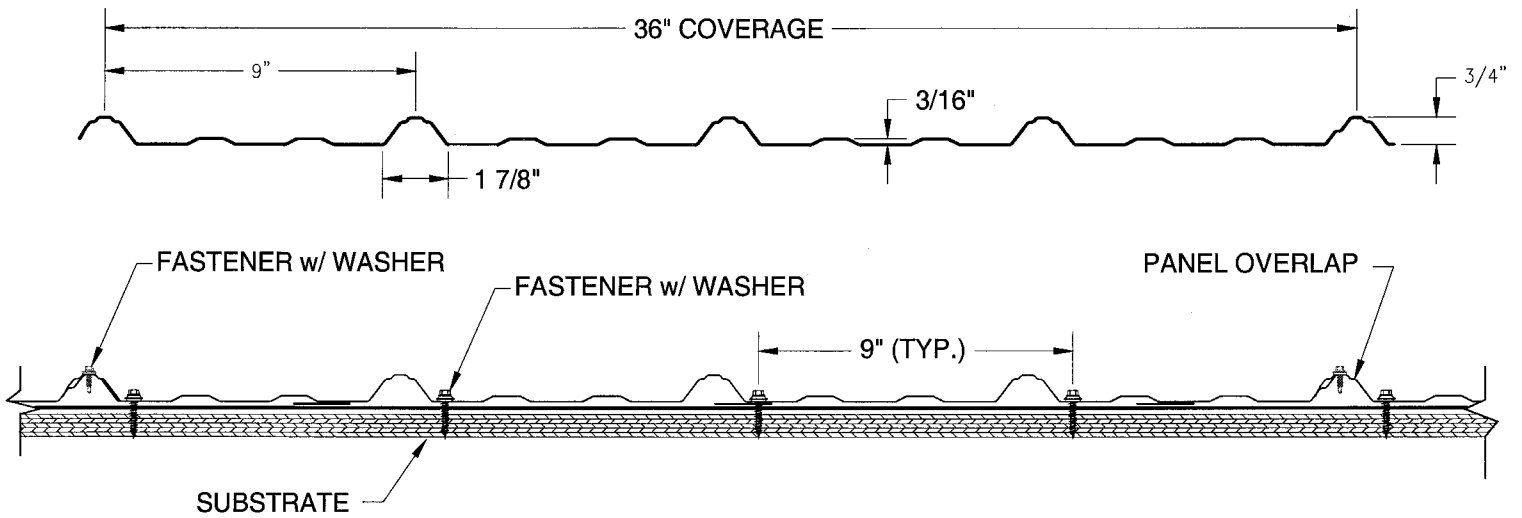


GENERAL LIMITATIONS:

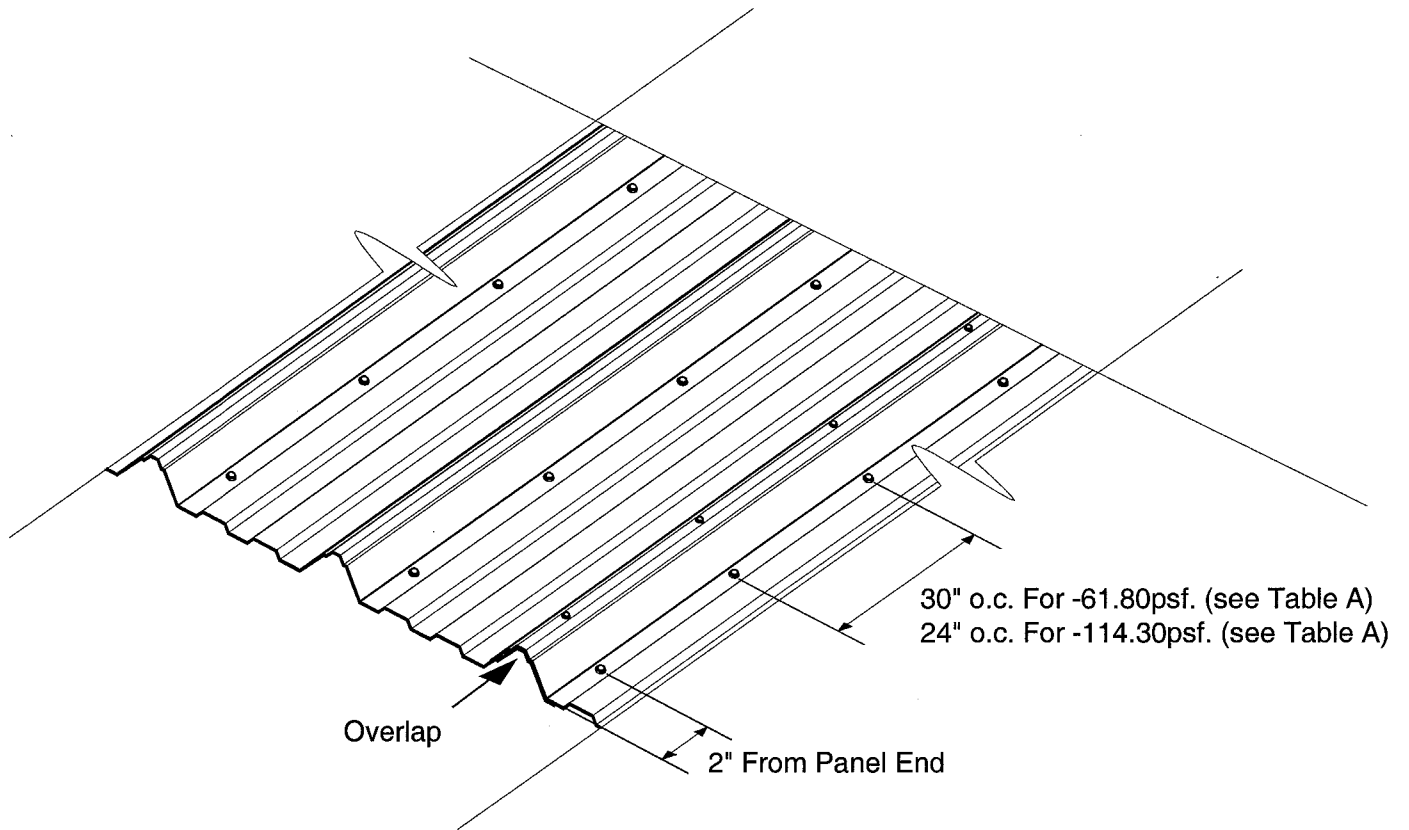
1. Fire classification is not part of this acceptance; refer to a current Approved Roofing Materials Directory for fire ratings of this product.
2. Neither rational analysis, nor extrapolation shall be permitted for the maximum design pressures listed in the "Perimeter and Corner" roof areas as noted in Table "A" herein.
3. Panels shall be roll formed in continuous lengths from eave to ridge. Maximum lengths shall be as described in Roofing Application Standard RAS 133.
4. All panels shall be permanently labeled with the manufacturer's name or logo, city, state and the following statement: "Miami Dade County Product Control Approved".



DRAWINGS



FASTENING PATTERN OF PANEL



MASTER RIB PANEL

END OF THIS ACCEPTANCE



NOA No.: 07-0713.03
Expiration Date: 09/05/12
Approval Date: 09/06/07
Page 6 of 6

