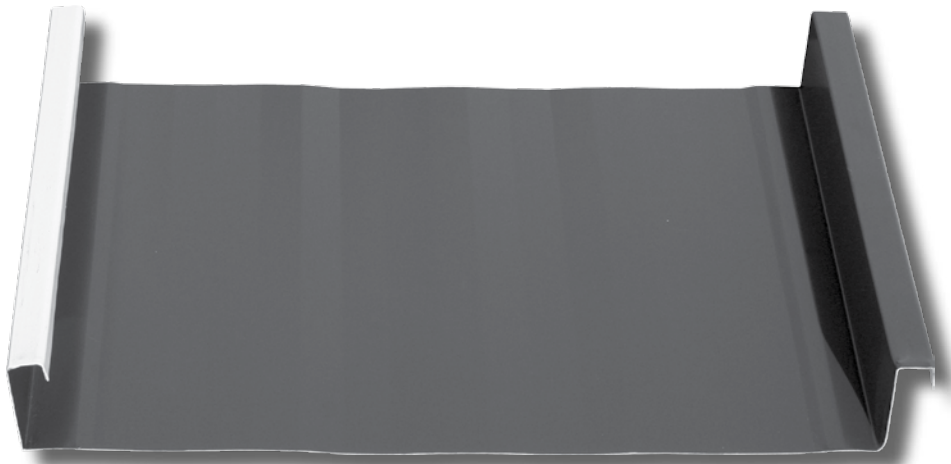




ML200 Standing Seam

Parts Guide



IMPORTANT NOTICE

This PARTS GUIDE begins with a two-page list of the most common clips, accessories, secondary structurals, trims, tools and fasteners used in the installation of the ML200 roofing system. The two-page list is followed by pictures and descriptions of each item. Additional parts and components including custom fabricated trim pieces (i.e. 20' lengths) are also available. Please contact Union to inquire about parts not shown.

The two-page list can be used as a project check-list and/or printed for use in entering an order by simply attaching to a standard ORDER FORM.

It is the user's responsibility to confirm that the correct parts required for the desired details are used.



INDEX

Parts Guide..... Pg. 2-3

Clips..... Pg. 4

Accessories..... Pg. 5-6

Substructurals..... Pg. 7-9

Trim..... Pg. 10-13

Tools..... Pg. 14

Fasteners Pg. 15-17

ML200 PARTS GUIDE

(Page 2 of 2)

This Parts page provides detail information used to develop the pricing shown on the "Order Form". Contact Union for information regarding additional parts that are available but not shown below.

JOB NAME: _____
 City/St/Zip: _____

Date: ____/____/____

TRIM (Union Standard Profiles)					
Item	10'-2"	20'-2"	Pcs.	Unit Price	Total
Cleat - Offset	<input type="checkbox"/>	-			
Cleat - Wall	<input type="checkbox"/>	-			
Eave Trim - Box	<input type="checkbox"/>	-			
Endwall Flashing - Fixed	<input type="checkbox"/>	-			
Endwall Flashing - Floating	<input type="checkbox"/>	-			
Gutter - Box	<input type="checkbox"/>	<input type="checkbox"/>			
Gutter - Box End	-	-			
Gutter - Box Splice Plate	-	-			
Panel Closure Zee:	<input type="checkbox"/>	-			
*Stamped Panel Closures are under "Accessories"					
Peak Trim - Box	<input type="checkbox"/>	<input type="checkbox"/>			
Rake Trim - Box	<input type="checkbox"/>	<input type="checkbox"/>			
Rake Slide	<input type="checkbox"/>	<input type="checkbox"/>			
Ridge/Hip Cap - Fixed	-	-			
Ridge/Hip Cap - Floating	<input type="checkbox"/>	<input type="checkbox"/>			
Ridge Cap - Vented	<input type="checkbox"/>	<input type="checkbox"/>			
Ridge Vent Drip	<input type="checkbox"/>	-			
Sidewall Flashing	<input type="checkbox"/>	-			
Sidewall Flashing - Cleat	<input type="checkbox"/>	-			
Sidewall Counterflashing	<input type="checkbox"/>	-			
Sidewall Counterflashing #2	<input type="checkbox"/>	-			
Valley Flashing - Standard	<input type="checkbox"/>	<input type="checkbox"/>			
Valley Flashing - Extended	<input type="checkbox"/>	<input type="checkbox"/>			
Flat Sheets: ____ Sheets (48-3/8" x 120") ____ Skids (50 sheets per skid)					
"Other" Trim Profiles:					
"Other" Trim Drawings attached: <input type="checkbox"/> Yes No. of Trim Pages: ____					

Trim Total: \$ _____

Tools			
	Qty.	Unit	Total
Hand Crimper - Single Lock			
Hand Crimper - Double Lock			
Panel Hemming Tool - 15" wide			
Panel Hemming Tool - 19" wide			
Panel Hemming Tool - 24" wide			
Seam Clamp - Universal			
Seam Clamp - Modulation			
NOTE: ML200 Single Lock and Double Lock electric seamers require a separate rental form.			

Tools Total: \$ _____

Fasteners			
Self Drillers:	Qty.	Unit	Total
1/4 - 14X1-1/4 HWSTCP F3			
12 - 14X1-1/4 HWH TCP2			
12 - 14X1-1/4 HWU TCP3			
1/4 - 14X1-1/4 HWU TCP3			
12 - 14X1-1/2 HWU TCP3			
12 - 24X1-1-1/4 HWH TCP4			
1/4-20X1-1/4 HWS TYPE F4			
12-14x1 PH. SQ. PANCAKE TCP3			
1/4-14X7/8 ULTIMATE LAP			
1/4-14X1-1/4 ULTIMATE TCP3			
17-14X1" ULTIMATE TYPE AB			
1/8 X 3/16 S/S RIVET			
1/8 X 3/8 S/S RIVET			

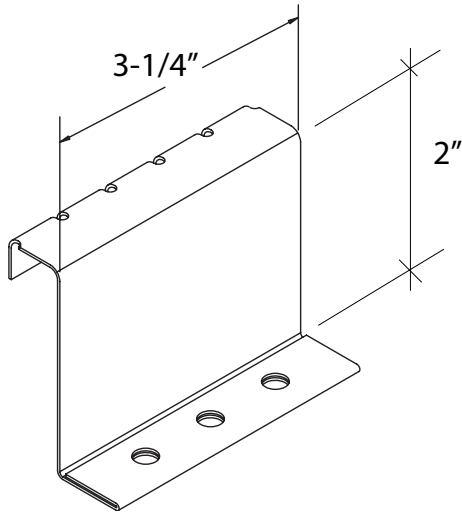
Fastener Total: \$ _____

Additional Notes, Comments or Descriptions: _____

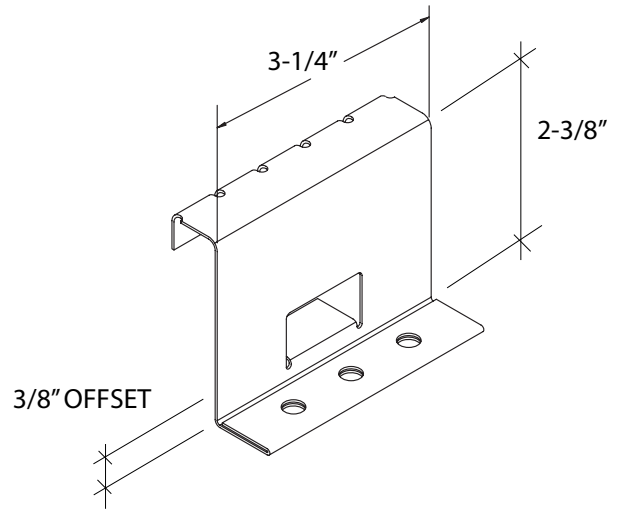
Customer Initials: _____

ML200: Clips

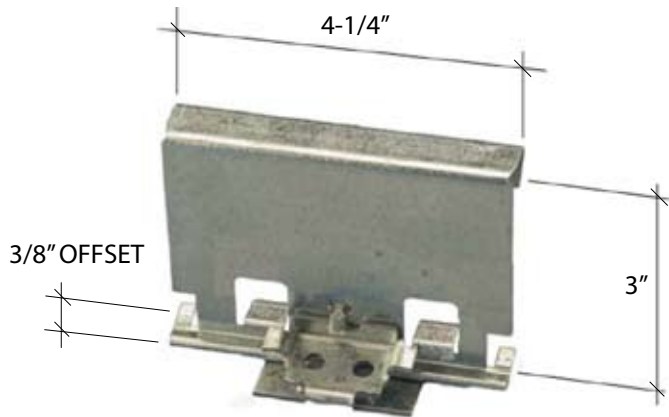
Utility Fixed Clip UL



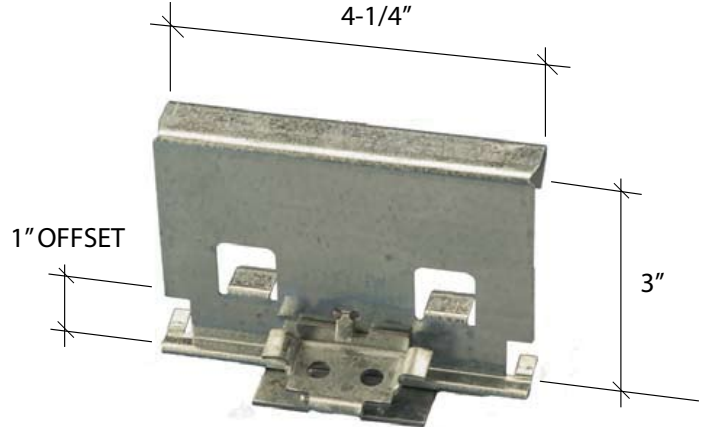
Low Fixed Clip UL



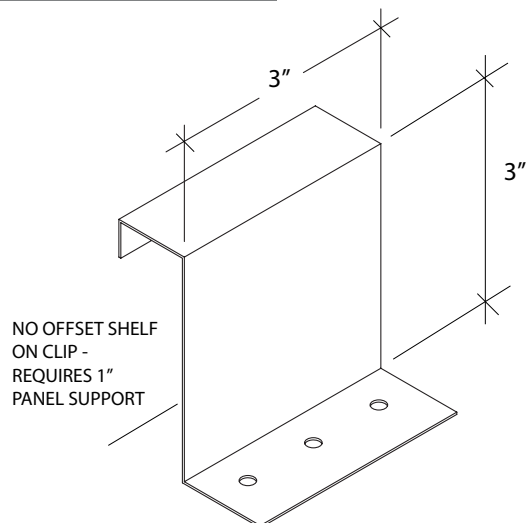
Low Floating UL



High Floating UL



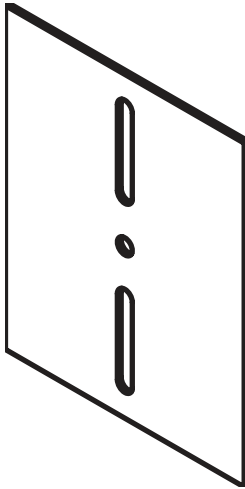
High Fixed Clip UL



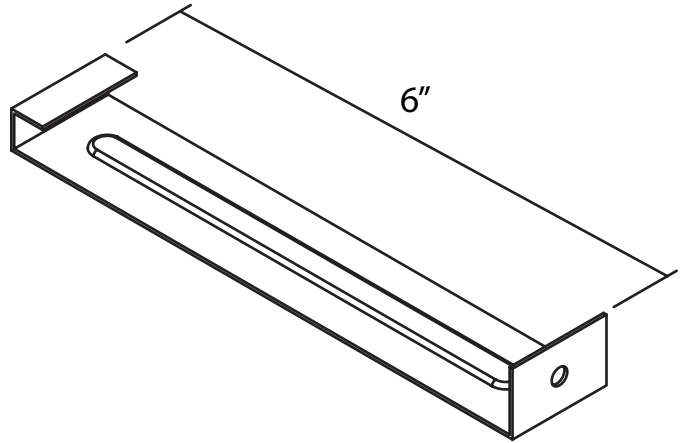
Note: Offset dimension shows where the bottom of the ML200 Panel will rest.

ML200: Accessories

Bearing Plates: 4" x 5"



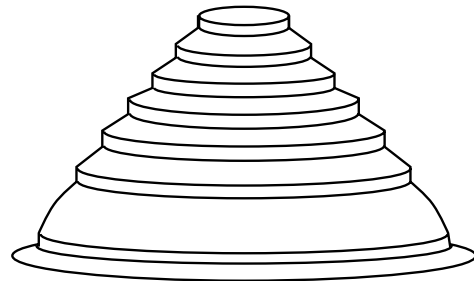
Gutter Hanger



Panel Closures (stamped):
12" w, 16" w, 18" w



Pipe Boot, Ø, Black

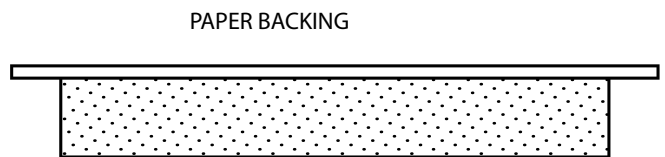


Size Options: 1" to 4"
5" to 9"
10" to 18"

Seam Clamps (S-5)



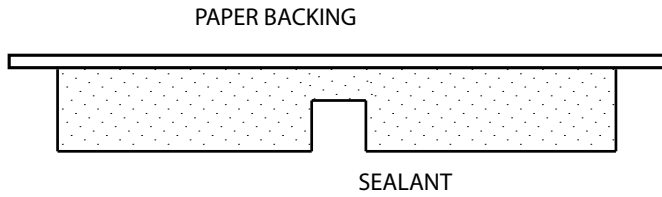
Tape Seal (single bead - 3/8" w)



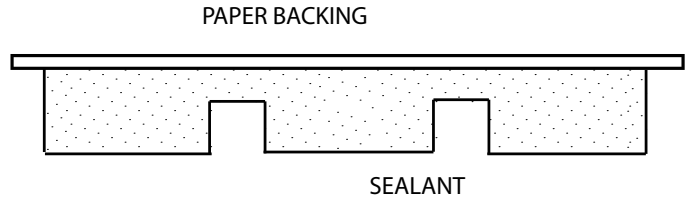
SEALANT

ML200: Accessories (cont.)

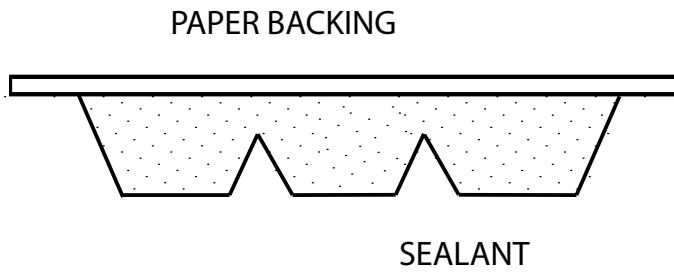
Tape Seal (double bead - 7/8" w)



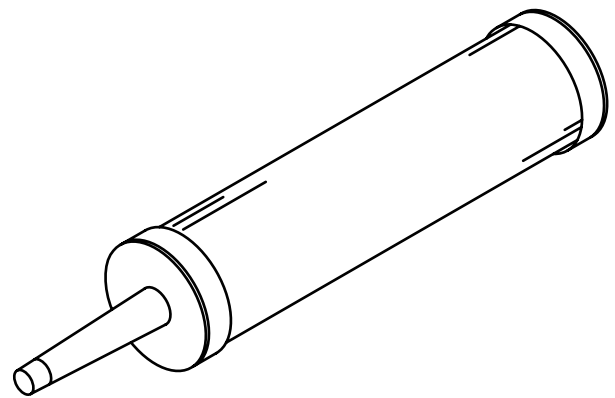
Tape Seal (triple bead - 2-7/8" w)



Tape Seal (tri-bead - 7/8" w)

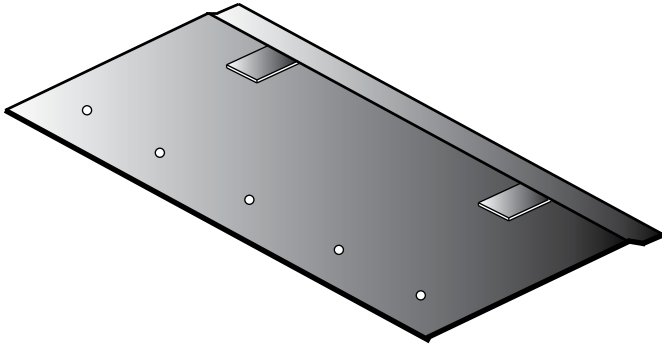


Tube Sealant (urethane, grey)



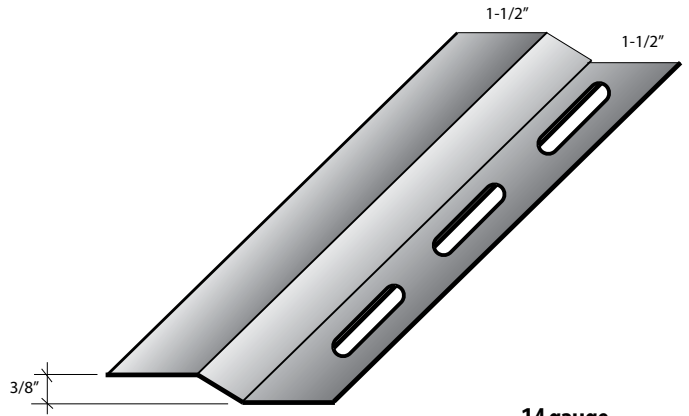
ML200: Substructurals

Back-Up Plates:
12" w, 16" w, 18" w



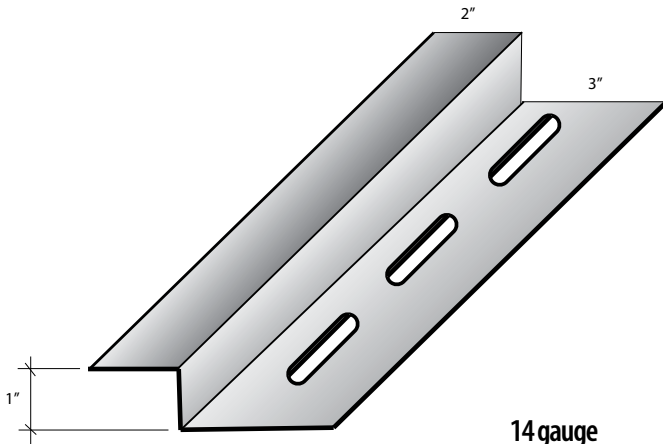
14 gauge
Red Oxide

Eave Plate - Low - 8'



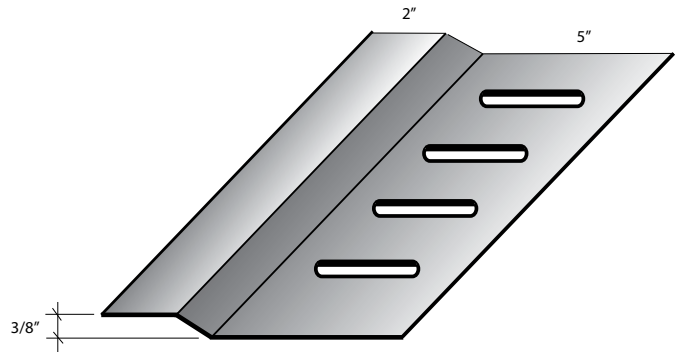
14 gauge
Red Oxide

Eave Plate - High - 8'



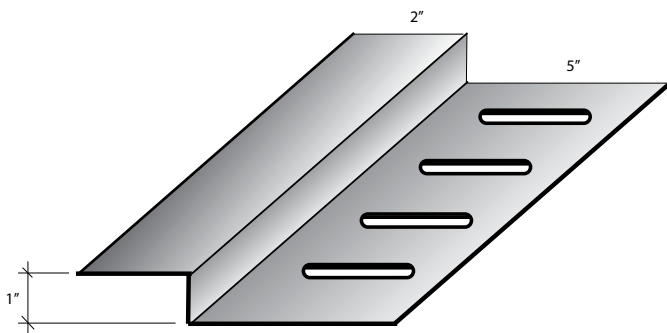
14 gauge
Red Oxide

Eave Plate - Floating Low - 8'



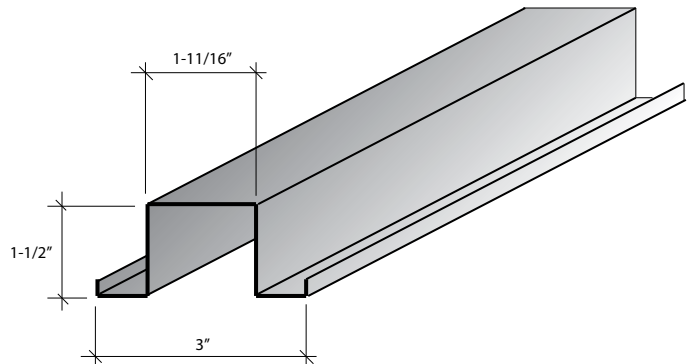
14 gauge
Red Oxide

Eave Plate - Floating High - 8'



14 gauge
Red Oxide

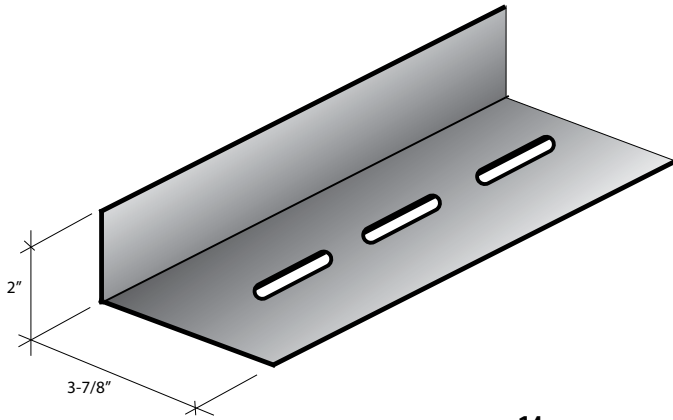
Hat Channel - 20' x 1-1/2"



22 gauge
Galvanized

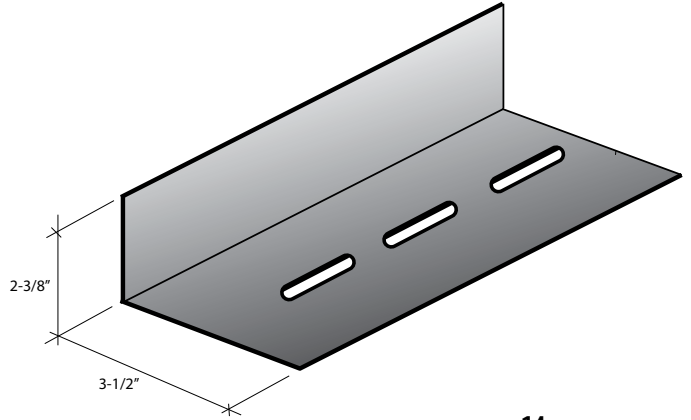
ML200: Substructurals

Rake Support - Utility - 20'



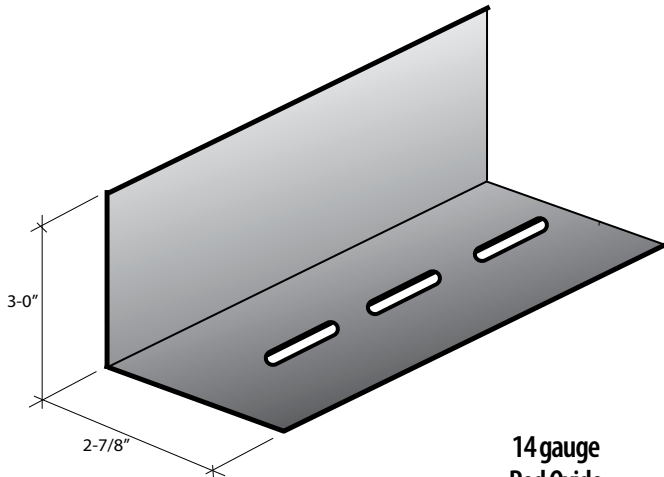
14 gauge
Red Oxide

Rake Support - Low - 20'



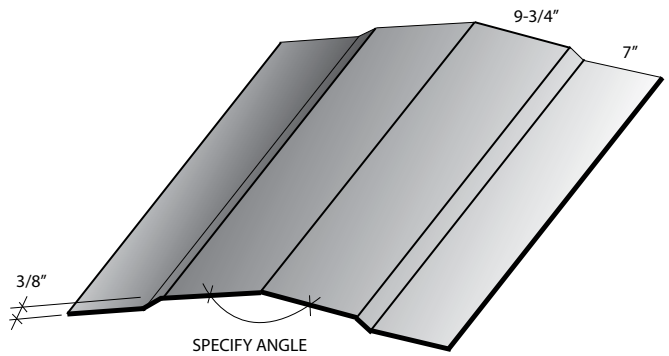
14 gauge
Red Oxide

Rake Support - High - 20'



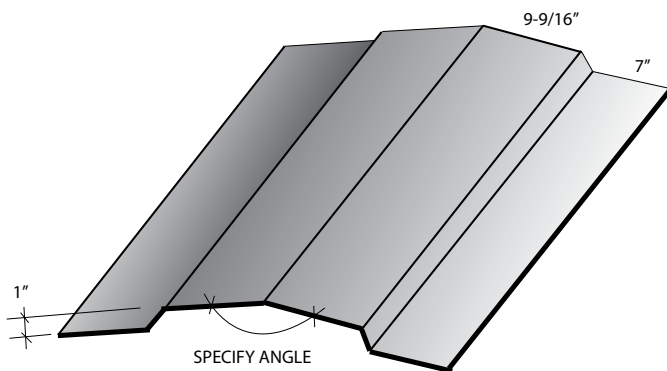
14 gauge
Red Oxide

Ridge/Hip Plate - Low Fix - 10'



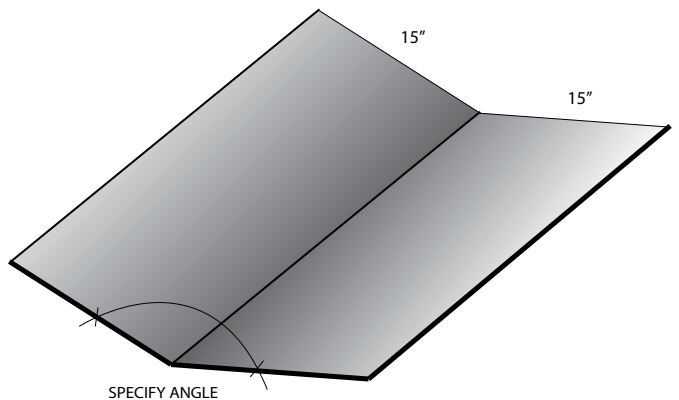
14 gauge
Red Oxide

Ridge/Hip Plate - High Fix - 10'



14 gauge
Red Oxide

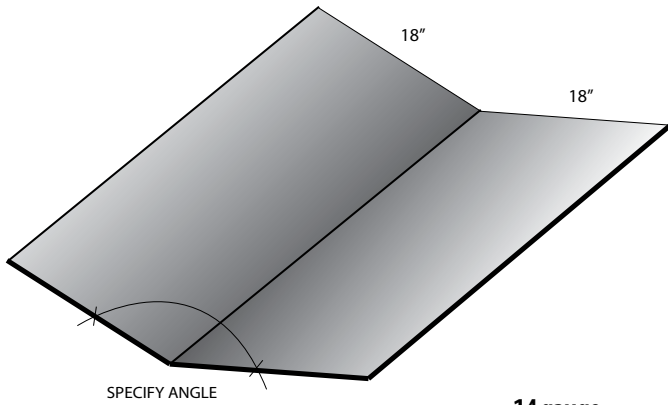
Valley Plate - Low 15" - 10'



14 gauge
Red Oxide

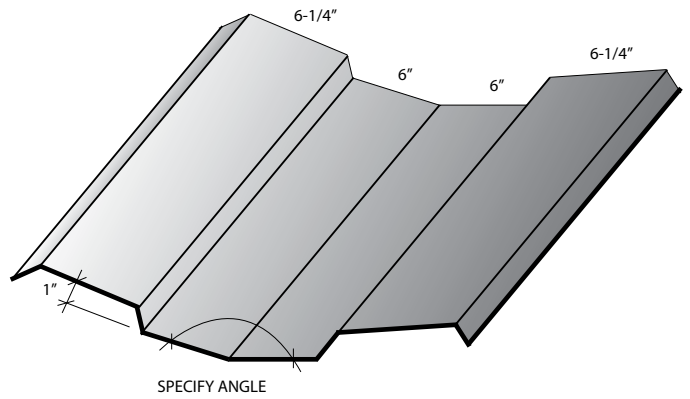
ML200: Substructurals (cont.)

Valley Plate - Low 18" - 10'



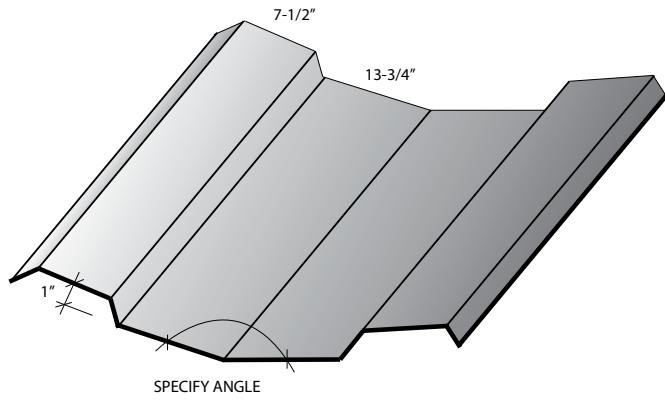
14 gauge
Red Oxide

Valley Plate - High 30" - 10'



14 gauge
Red Oxide

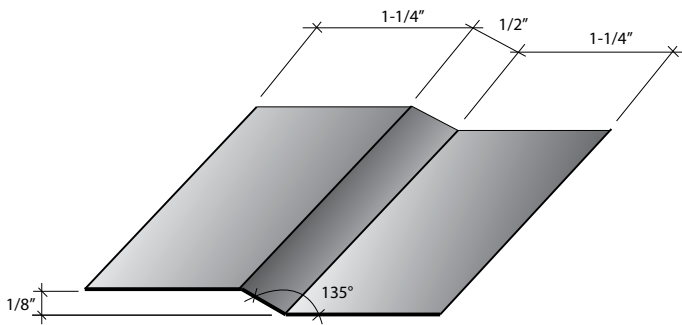
Valley Plate - High 42" - 10'



14 gauge
Red Oxide

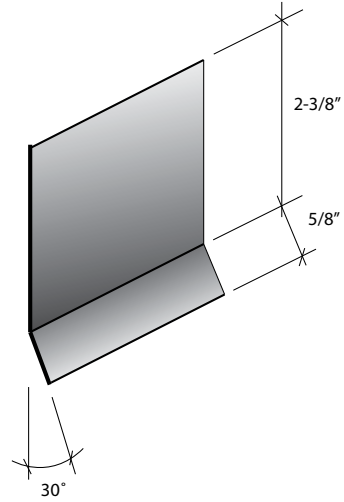
ML200: Trim

Cleat - Offset



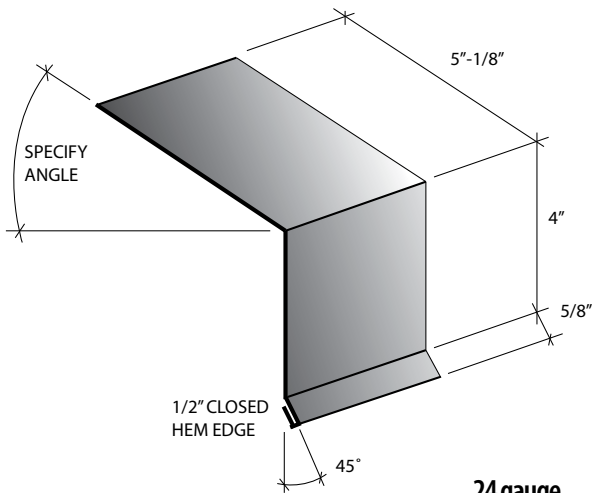
24 gauge

Cleat - Wall



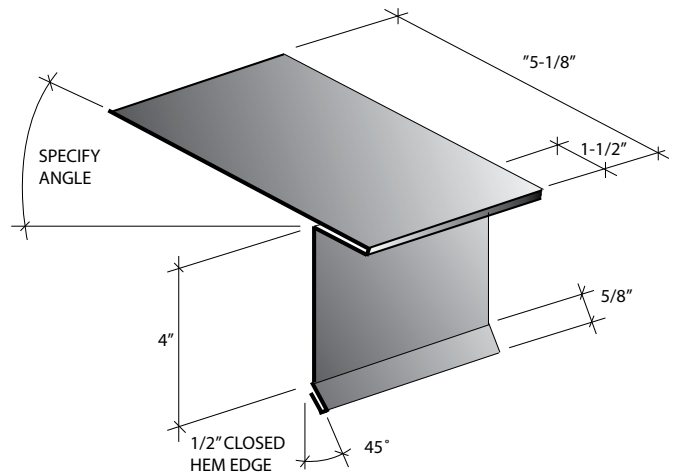
24 gauge

Eave - Box



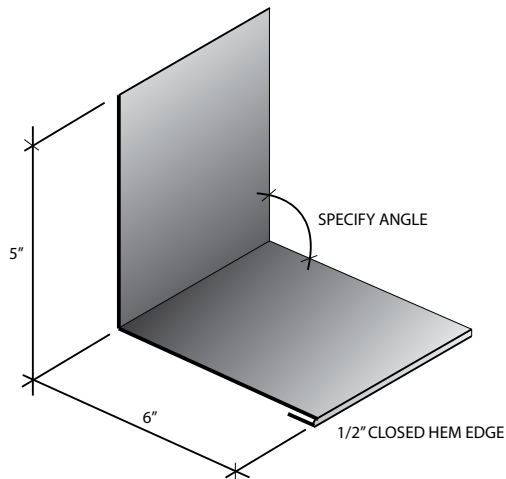
24 gauge

Eave - Extended Drip Edge



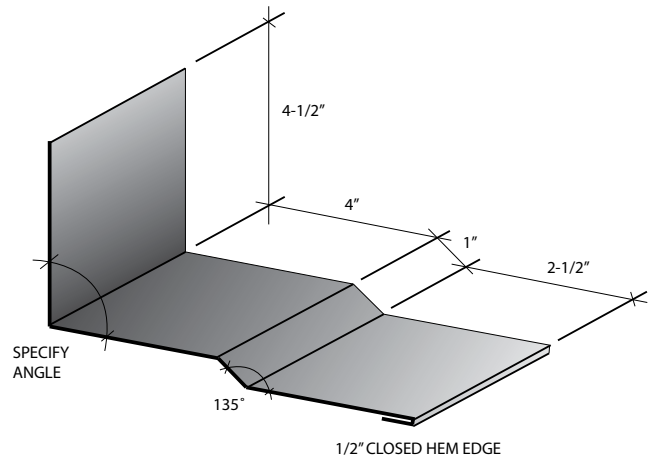
24 gauge

Endwall Flashing - Fixed



24 gauge

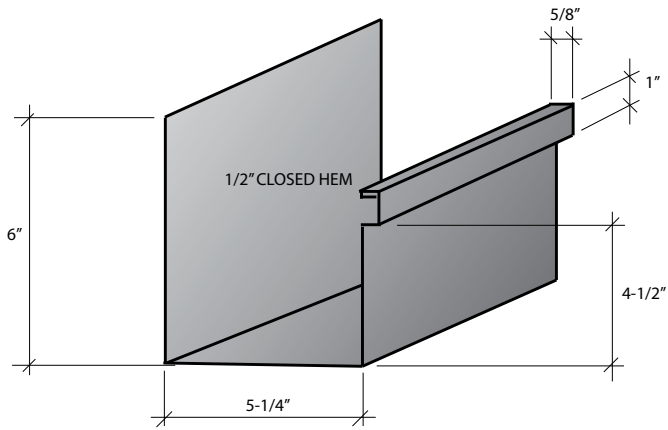
Endwall Flashing - Floating



24 gauge

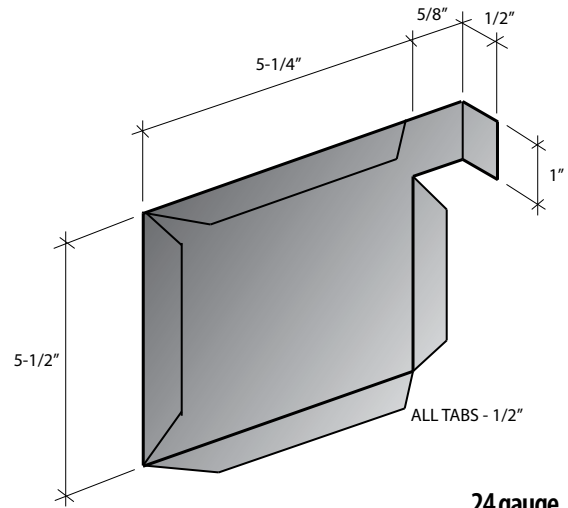
ML200: Trim (cont.)

Gutter - Box



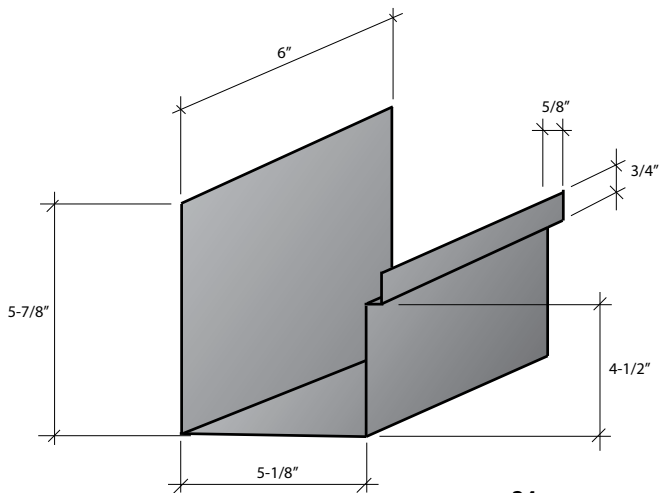
24 gauge

Gutter - Box End



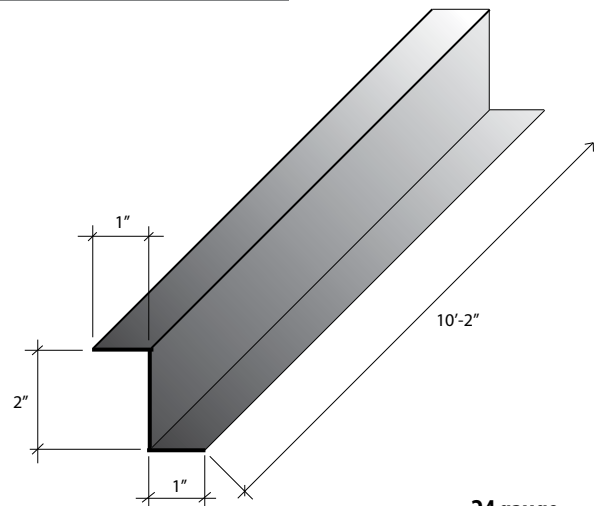
24 gauge

Gutter - Box Splice Plate



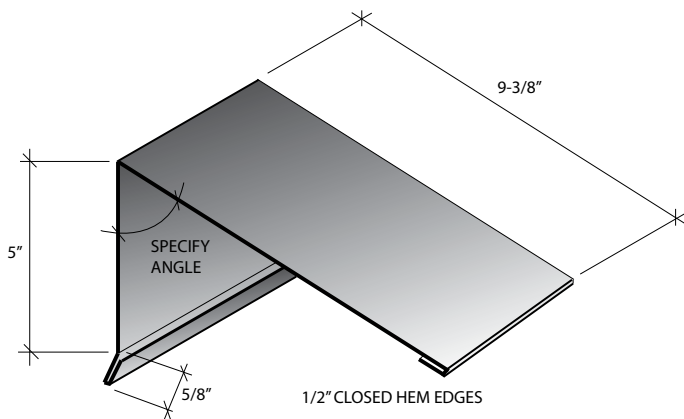
24 gauge

Panel Closure Z



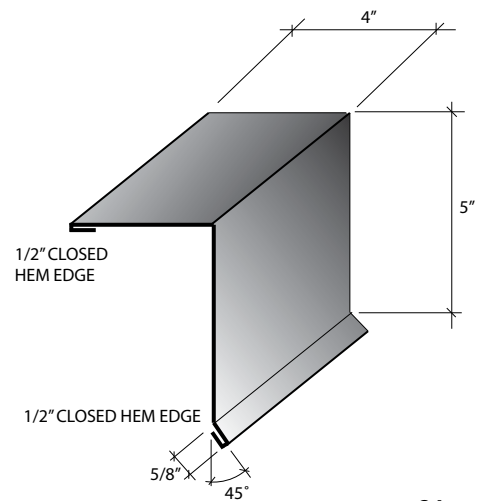
24 gauge

Peak Trim - Box



24 gauge

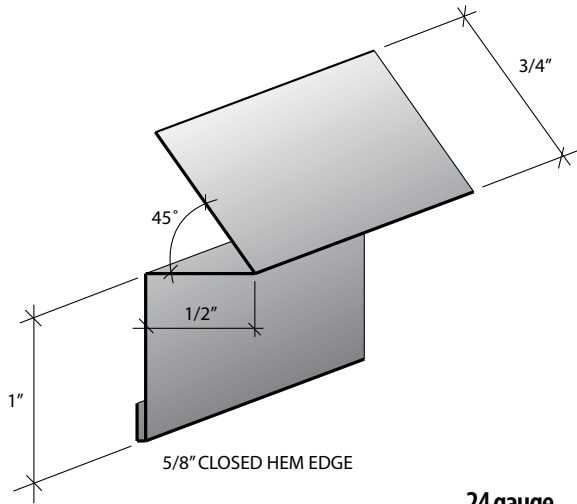
Rake Trim - Box



24 gauge

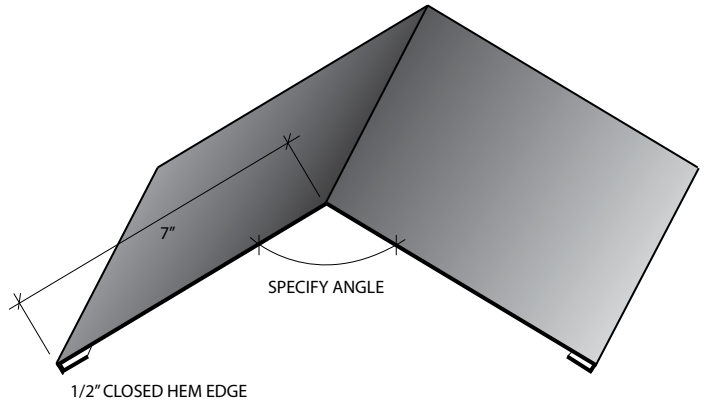
ML200: Trim (cont.)

Rake Slide



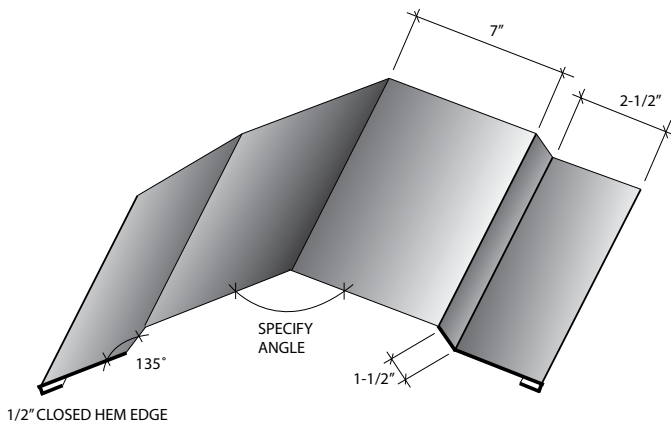
24 gauge

Ridge/Hip Cap - Fixed



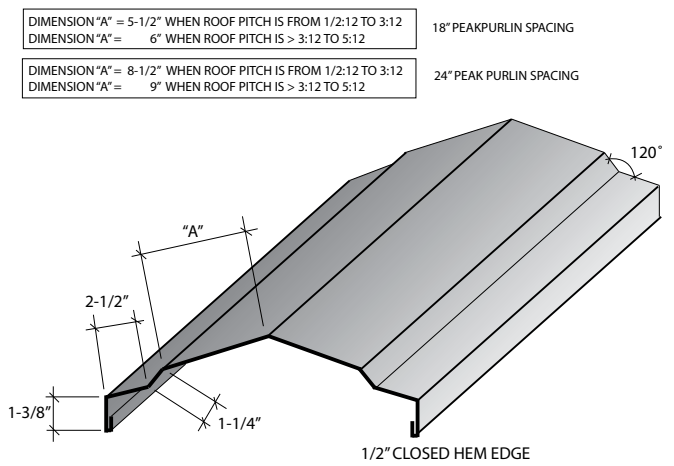
24 gauge

Ridge/Hip Cap - Floating



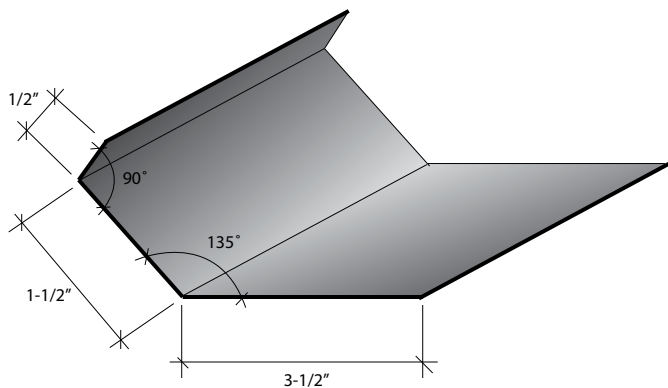
24 gauge

Ridge Cap - Vented



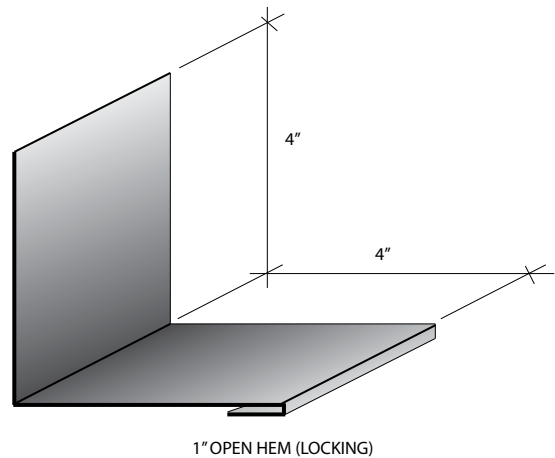
24 gauge

Ridge Vent Drip



24 gauge

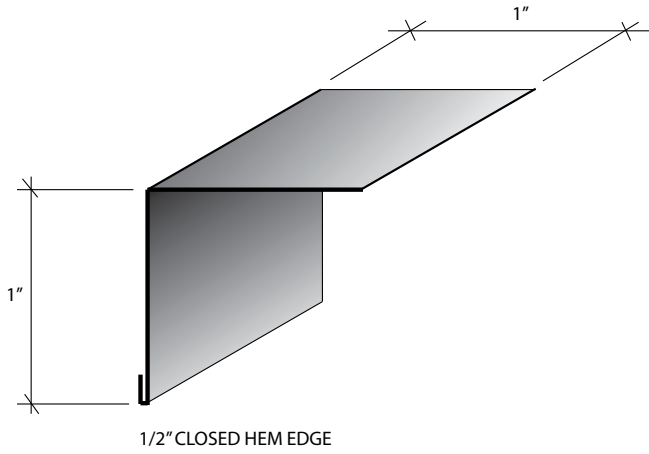
Sidewall Flashing



24 gauge

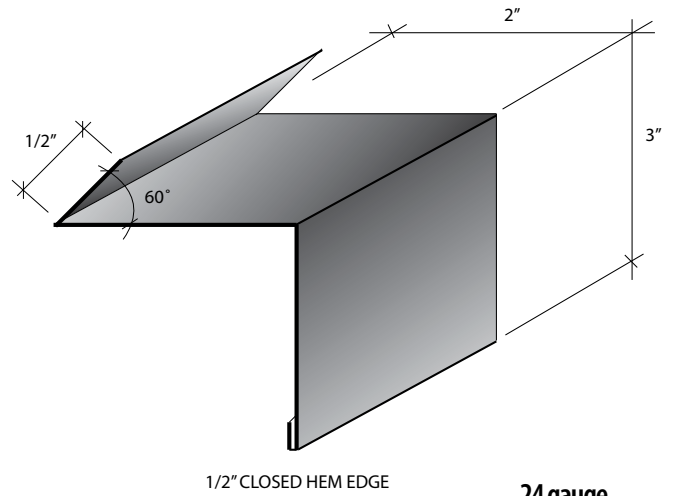
ML200: Trim (cont.)

Sidewall Flashing - Cleat



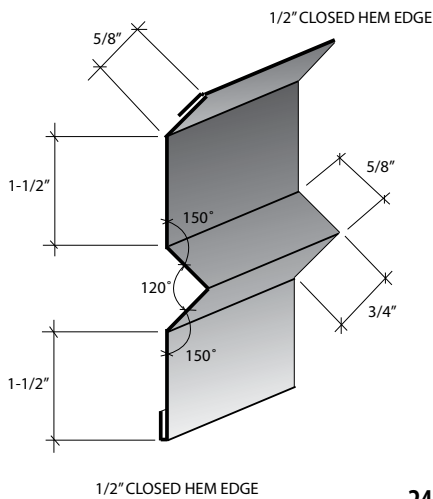
24 gauge

Sidewall Counterflashing



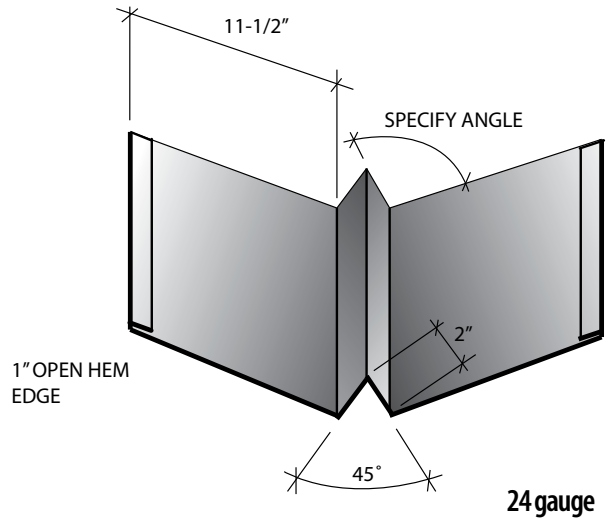
24 gauge

Sidewall Counterflashing #2



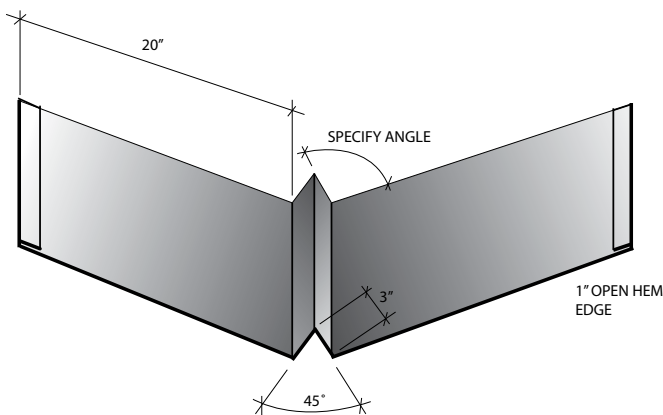
24 gauge

Valley Flashing - Standard



24 gauge

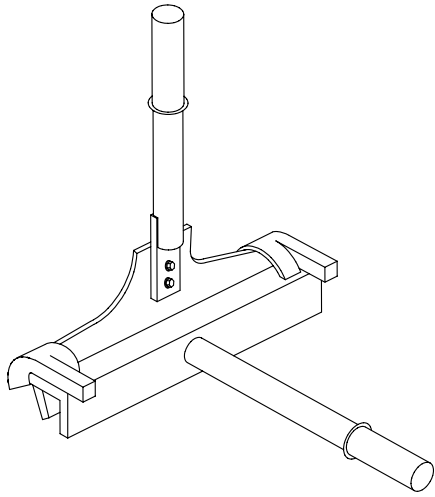
Valley Flashing - Extended



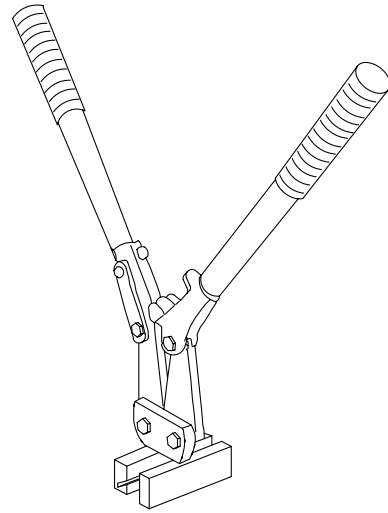
24 gauge

ML200: Tools

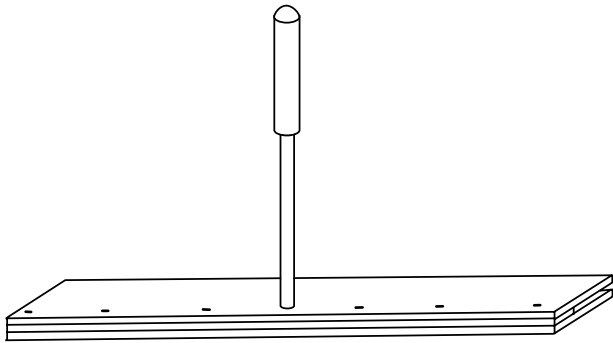
Hand Crimper - Single Lock



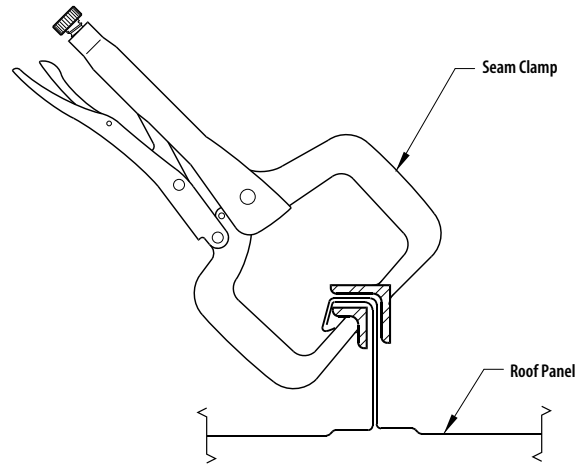
Hand Crimper - Double Lock



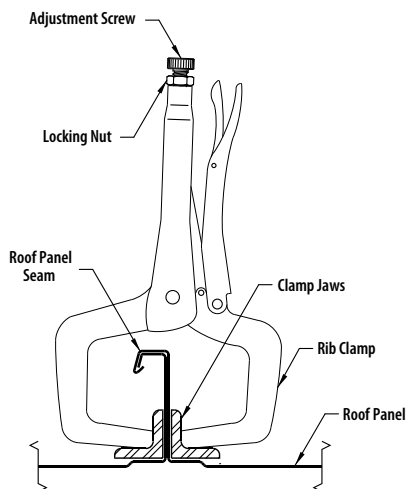
Panel Hemming Tool -
15", 19", 24" wide



Seam Clamp - Universal

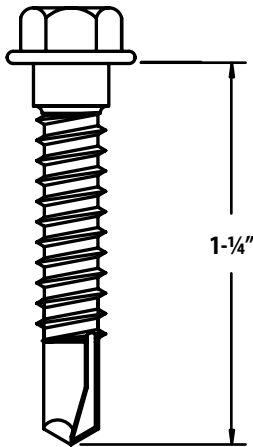


Seam Clamp - Modulation

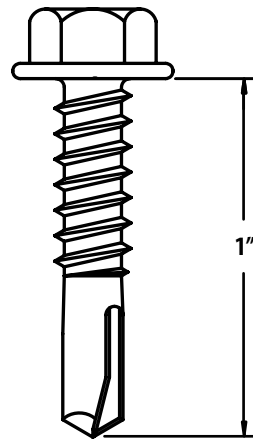


ML200: Fasteners

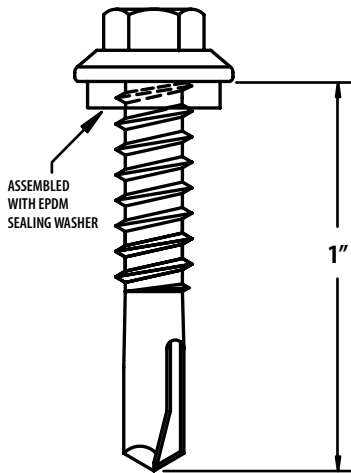
1/4 - 14x1-1/4 HWSTCP3



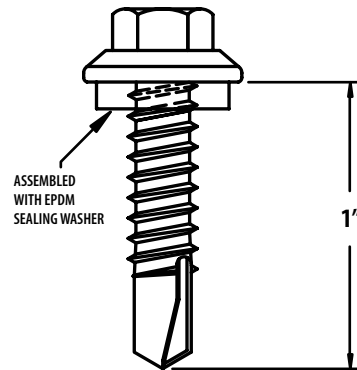
12 - 14x1 HWHTCP2



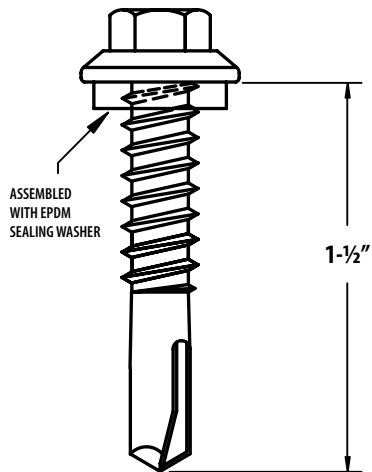
12 - 14x1 HWHTCP3



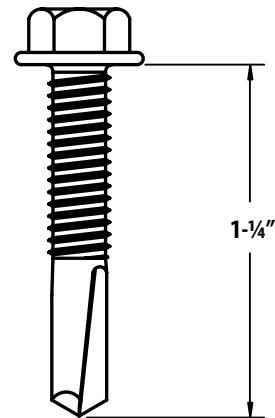
1/4 - 14x1 HWHTCP3



12 - 14x1-1/2 HWHTCP3

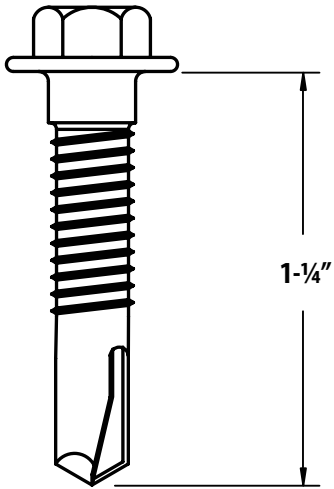


12 - 24x1-1/4 HWHTCP4

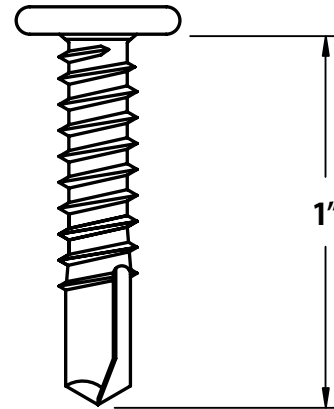


ML200: Fasteners (cont.)

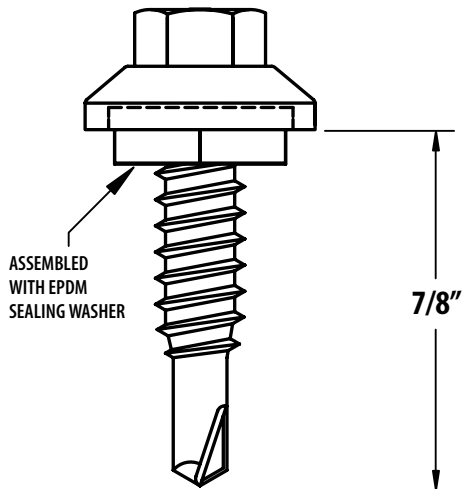
1/4 - 20x1-1/4 HWSTYPE F4



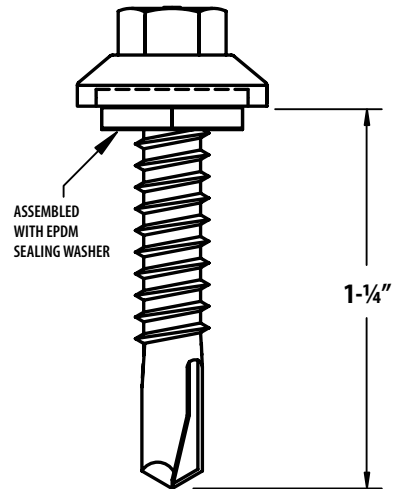
12 - 14x1 PH. SQ. PANCAKE TCP3



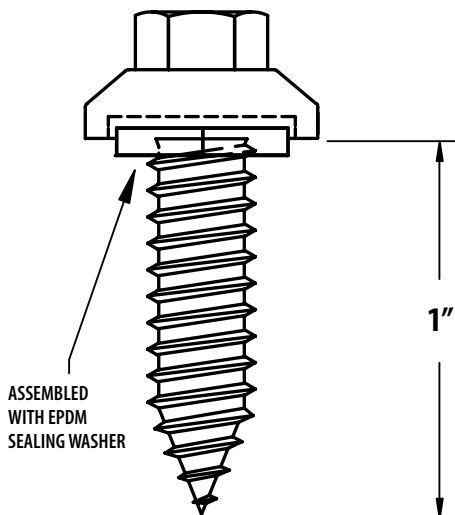
1/4 - 14X7/8 ULTIMATE LAP



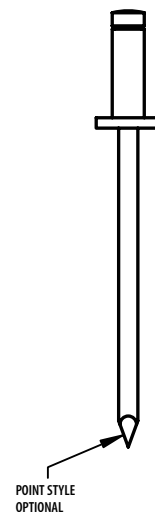
1/4 - 14x1-1/4 ULTIMATE TCP3



17 - 14X1 ULTIMATE TYPE AB



1/8X3/16S/S RIVET



ML200: Fasteners (cont.)

1/8X3/8S/SRIVET

