

**EVALUATION REPORT OF
UNION CORRUGATING COMPANY
'29 GA. MASTERRIB PANEL'
OVER WOOD SUPPORT AND DECK**

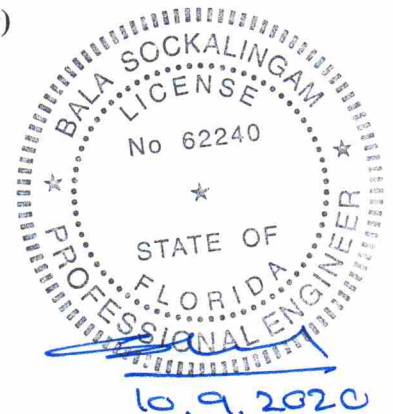
**FLORIDA BUILDING CODE 7TH EDITION (2020)
FLORIDA PRODUCT APPROVAL
FL 7271.5-R5
ROOFING
METAL ROOFING**

**Prepared For:
Union Corrugating Company
701 S. King St.
Fayetteville, NC 28301
Telephone: (910) 483-0479
Fax: (910) 483-1091**

**Prepared By:
Bala Sockalingam, Ph.D., P.E.
Florida Professional Engineer #62240
1216 N Lansing Ave., Suite C
Tulsa, OK 74106
Telephone: (918) 492-5992
FAX: (866) 366-1543**

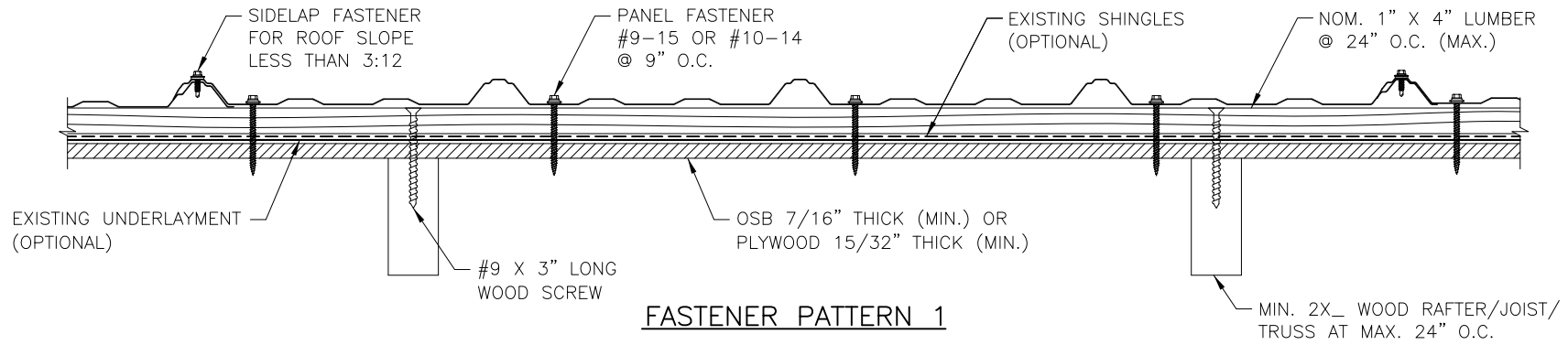
**This report consists of
Evaluation Report (3 Pages including cover)
Installation Details (1 Page)**

**Report No. C2400-5
Date: 10.9.2020**

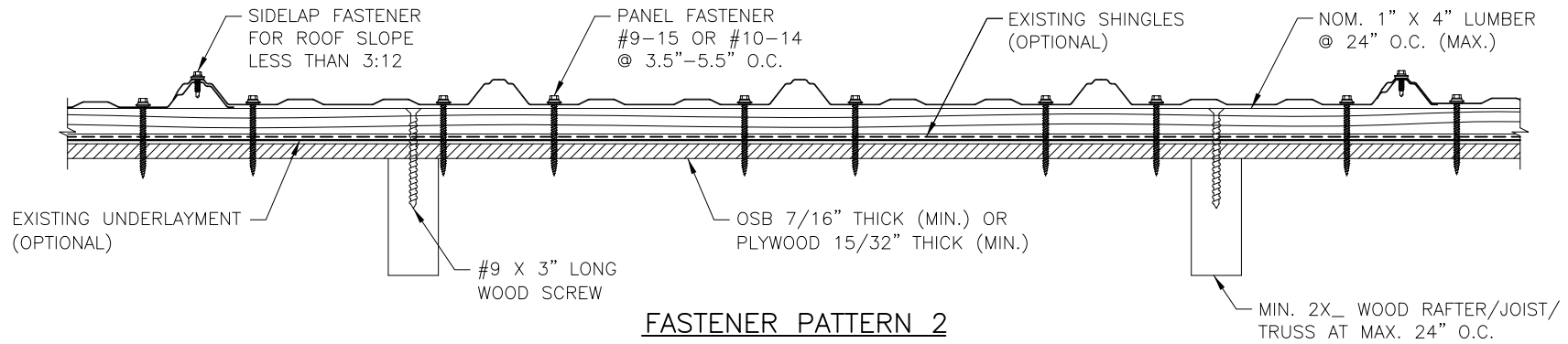


Manufacturer:	Union Corrugating Company
Product Name:	MasterRib Panel
Panel Description:	36" wide coverage with 3/4" high ribs at 9" o.c.
Materials:	Minimum 29 ga., 80 ksi steel. Galvanized coated steel (ASTM A653) or Galvalume coated steel (ASTM A792) or painted steel (ASTM A755). Corrosion resistant as per FBC 2020 Section 1507.4.3.
Support Description:	Nom. 1" x 4" (min) lumber at max. 24" o.c. (Must be designed by others)
Support Attachment:	(1) #9 x 3" long wood screw into rafters spaced at max 24" o.c.
New Underlayment:	Minimum underlayment as per FBC 2020 Section 1507.4.5.1. Required for new construction and optional for reroofing construction.
Existing Underlayment: (Optional)	One layer of asphalt shingles over one layer of #30 felt. For reroofing construction only.
Deck Description:	Min 7/16" thick OSB deck or min. 15/32" thick APA rated plywood or min. 3/4" thick wood plank (min SG of 0.42) for new and existing constructions. Designed by others and installed as per FBC 2020.
Slope:	1/2:12 or greater in accordance with FBC 2020 Section 1507.4.2
Design Uplift Pressure: (Factor of Safety = 2)	71 psf for Fastener Pattern 1 114 psf for Fastener Pattern 2
Panel Attachment:	#9-15 or #10-14 wood screw with washer. Fasteners are corrosion resistant as per FBC 2020 Section 1507.4.4. Fastener shall be of sufficient length to penetrate through the support and deck a minimum of 3/8".
Pattern 1	9" o.c. across panel width
Pattern 2	5.5"-3.5"-5.5" o.c. across panel width
Sidelap Attachment: (Optional)	1/4"-14 x 7/8" long SDS with washer at 24" o.c. Recommended for roof slope less than 3:12. Fasteners are corrosion resistant as per FBC 2020 Section 1507.4.4.
Test Standards:	Panel assembly tested in accordance with ASTM E1592-01 'Test Method for Structural Performance of Sheet Metal Roof and Siding Systems by Uniform Static Air Pressure Difference' and FM 4470 Section 5.5 'Resistance to Foot Traffic'.

- Test Equivalency: The test procedure in ASTM E1592-01 comply with test procedure prescribed in ASTM E1592-05(2012).
The test procedure in FM 4470 (1992) comply with test procedure prescribed in FM 4470 (2016) Section 4.6 ‘Resistance to Foot Traffic’
- Code Compliance: The product described herein has demonstrated compliance with FBC 2020 Section 1507.4.
- Product Limitations: Design wind loads shall be determined for each project in accordance with FBC 2020 Section 1609 or ASCE 7-16 using allowable stress design. The maximum fastener spacing listed herein shall not be exceeded. This evaluation report is not applicable in High Velocity Hurricane Zone. Fire classification is not within scope of this Evaluation Report. Refer to FBC 2020 Section 1505 and current approved roofing materials directory or ASTM E108/UL790 report from an accredited laboratory for fire ratings of this product.
- Supporting Documents: ASTM E1592 Test Report
ENCON Technology Inc.
C1811-1, Reporting Date 11/30/11
- FM 4470 Test Report
ENCON Technology Inc.
C1583-2, Reporting Date 7/24/08



FASTENER PATTERN 1



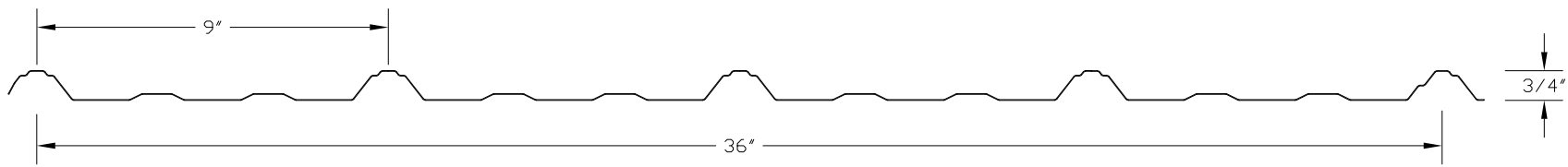
FASTENER PATTERN 2

GENERAL NOTES:

1. ARCHITECTURAL ROOF PANEL HAS BEEN DESIGNED IN ACCORDANCE WITH THE FLORIDA BUILDING CODE (FBC).
2. THE ROOF PANELS SHALL BE INSTALLED OVER SHEATHING & STRUCTURE AS SPECIFIED ON THIS DRAWING.
3. REQUIRED DESIGN WIND LOADS SHALL BE DETERMINED FOR EACH PROJECT. THIS PANEL SYSTEM MAY NOT BE INSTALLED WHEN THE REQUIRED DESIGN WIND LOADS ARE GREATER THAN THE ALLOWABLE WIND LOADS SPECIFIED ON THIS DRAWING.
4. ALL FASTENERS MUST BE IN ACCORDANCE WITH THIS DRAWING & THE FLORIDA BUILDING CODE. IF A DIFFERENCE OCCURS BETWEEN THE MINIMUM REQUIREMENTS OF THIS DRAWING & THE CODE, THE CODE SHALL CONTROL.
5. RAFTERS/JOISTS/TRUSSES MUST BE DESIGNED TO WITHSTAND WIND LOADS AS REQUIRED FOR EACH APPLICATION AND ARE THE RESPONSIBILITY OF OTHERS.

ALLOWABLE UPLIFT PRESSURE

FASTENER PATTERN	PRESSURE (PSF)
1	71.0
2	114.0



MASTERRIB PANEL PROFILE
Minimum 29 Gauge, Minimum Yield = 80 KSI

REVISIONS
 DATE
 REV 1
 DATE 3-19-2015
MasterRib Panel
 NAME: Bala Sothalingam
 DRAWN: Bala Sothalingam
 CHECKED:
 APPROVED:
 SCALE: NONE
 CAD FILE: MASTERRIB
UNION CORRUGATING COMPANY
 701 SOUTH KING ST
 FAYETTEVILLE, NC 28302
 Ph: 610.485.2105 Fax: 610.485.1081
 DATE: 3-19-2015
1 OF 1