

**EVALUATION REPORT OF
UNION CORRUGATING COMPANY
'29 GA. MASTERRIB PANEL'
OVER NOM. 1" x 4" WOOD SUPPORTS**

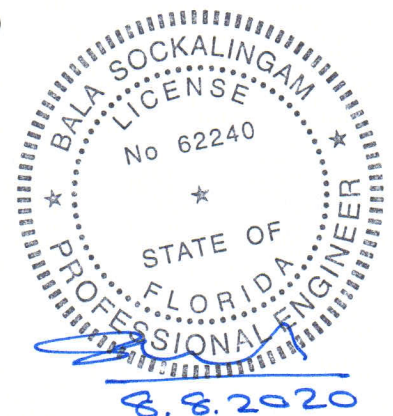
**FLORIDA BUILDING CODE 7TH EDITION (2020)
FLORIDA PRODUCT APPROVAL
FL 9555.6-R5
STRUCTURAL COMPONENTS
ROOF DECK**

**Prepared For:
Union Corrugating Company
701 S. King St.
Fayetteville, NC 28301
Telephone: (910) 483-0479
Fax: (910) 483-1091**

**Prepared By:
Bala Sockalingam, Ph.D., P.E.
Florida Professional Engineer #62240
1216 N Lansing Ave., Suite C
Tulsa, OK 74106
Telephone: (918) 492-5992
FAX: (866) 366-1543**

**This report consists of
Evaluation Report (3 Pages including cover)
Installation Details (1 Page)**

**Report No. C2373-6
Date: 8.8.2020**



Manufacturer: Union Corrugating Company

Product Name: MasterRib Panel

Panel Description: 36" wide coverage with 3/4" high ribs at 9" o.c.

Materials: Minimum 29 ga., 80 ksi steel. Galvanized coated steel (ASTM A653) or Galvalume coated steel (ASTM A792) or painted steel (ASTM A755). Corrosion resistant as per FBC 2020 Section 1507.4.3.

Support Description: Nom. 1" x 4" (min) lumber (SYP Untreated)
(Must be designed by others)

Slope: 1/2:12 or greater in accordance with FBC 2020 Section 1507.4.2

Design Uplift Pressure: 138.9 psf at support spacing of 24" o.c.
(Factor of Safety = 2) (3 or more spans)

Panel Attachment: #9-15 or #10-14 x 1.5" long wood screws with washers. Fasteners are corrosion resistant as per FBC 2020 Section 1507.4.4.
At panel ends at 9" o.c. across panel width
At intermediate at 9" o.c. across panel width

Sidelap Attachment: 1/4"-14 x 7/8" long SDS with washer at 6" o.c. Fasteners are corrosion resistant as per FBC 2020 Section 1507.4.4.

Test Standards: Panel assembly tested in accordance with ASTM E1592-01 'Test Method for Structural Performance of Sheet Metal Roof and Siding Systems by Uniform Static Air Pressure Difference' and FM 4470 Section 5.5 'Resistance to Foot Traffic'.

Test Equivalency: The test procedure in ASTM E1592-01 comply with test procedure prescribed in ASTM E1592-05(2012).
The test procedure in FM 4470 (1992) comply with test procedure prescribed in FM 4470 (2016) Section 4.6 'Resistance to Foot Traffic'.

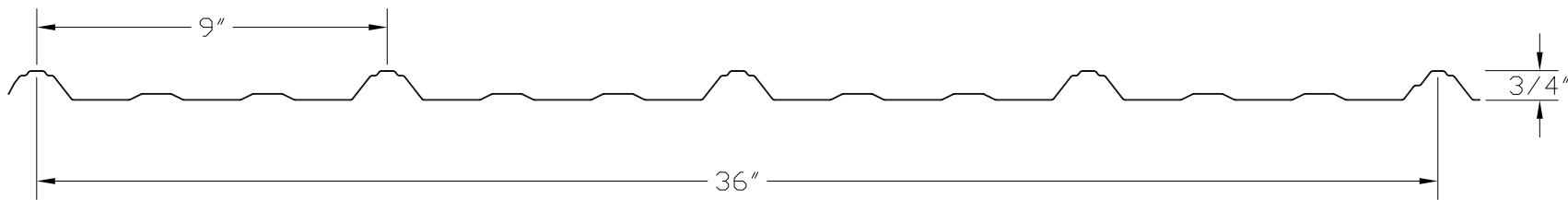
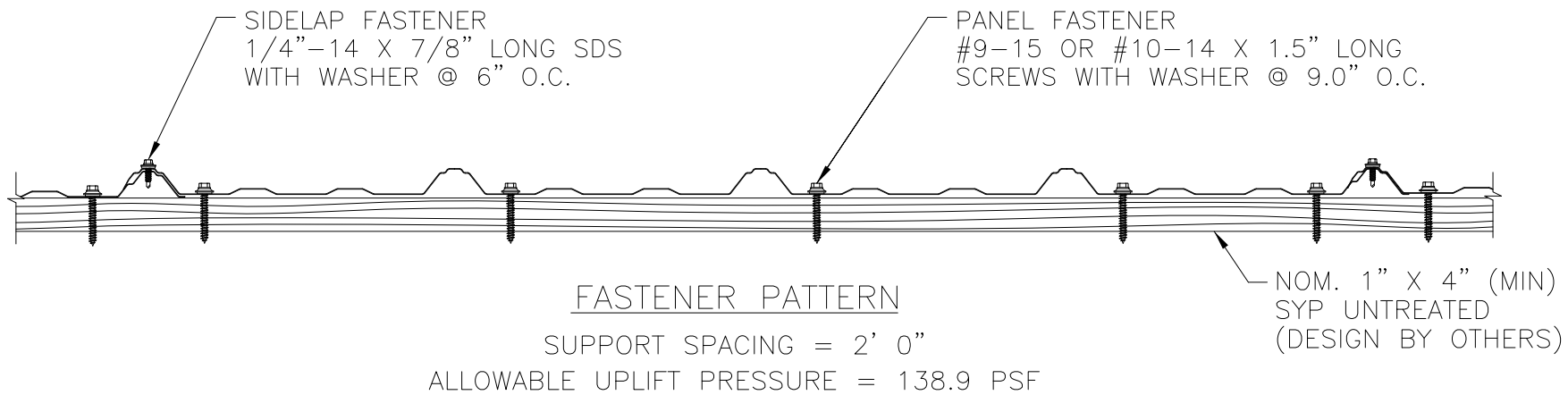
Code Compliance: The product described herein has demonstrated compliance with FBC 2020 Section 1507.4.

Product Limitations: Design wind loads shall be determined for each project in accordance with FBC 2020 Section 1609 or ASCE 7-16 using allowable stress design. The maximum support spacing listed herein shall not be exceeded. The design uplift pressure for reduced support spacing may be computed using rational analysis prepared by a Florida Professional Engineer. This product is not approved for use in the High Velocity Hurricane Zone. Fire classification is not within scope of this

Evaluation Report. Refer to FBC 2020 Section 1505 and current approved roofing materials directory for fire ratings of this product.

Supporting Documents: ASTM E1592 Test Report
Farabaugh Engineering and Testing Inc.
Project No. T245-06, Revised Reporting Date 11/7/06

FM 4470 Test Report
ENCON Technology Inc.
C1583-2, Reporting Date 7/24/08



MasterRib Panel Profile

Minimum. 29 Gauge, Minimum Yield = 80 KSI

CAD FILE: MASTERRIB		SCALE: NONE	DRAWN: Bala Sockalingam	DATE: 3-18-2015	REV. DATE	REVISIONS
MasterRib Panel UNION CORRUGATING COMPANY 701 SOUTH KING ST FAYETTEVILLE, NC 28302 Ph: 610-485-2105 Fax: 610-485-1081			CHECKED:	APPROVED:	1	
DATE: 3-18-2015					1 OF 1	