

**EVALUATION REPORT OF
UNION CORRUGATING COMPANY
'26 GA. 5V PANEL'**

**FLORIDA BUILDING CODE 7TH EDITION (2020)
FLORIDA PRODUCT APPROVAL
FL 7271.4-R5
ROOFING
METAL ROOFING**

**Prepared For:
Union Corrugating Company
701 S. King St.
Fayetteville, NC 28301
Telephone: (910) 483-0479
Fax: (910) 483-1091**

**Prepared By:
Bala Sockalingam, Ph.D., P.E.
Florida Professional Engineer #62240
1216 N Lansing Ave., Suite C
Tulsa, OK 74106
Telephone: (918) 492-5992
FAX: (866) 366-1543**

**This report consists of
Evaluation Report (3 Pages including cover)
Installation Details (1 Page)**

**Report No. C2400-4
Date: 10.9.2020**



Manufacturer: Union Corrugating Company

Product Name: 5V Panel

Panel Description: 24" wide coverage with (5) 1/2" high ribs

Materials: Minimum 26 ga., 80 ksi steel. Galvanized coated steel (ASTM A653) or Galvalume coated steel (ASTM A792) or painted steel (ASTM A755). Corrosion resistant as per FBC 2020 Section 1507.4.3.

Deck Description: Min. 15/32" thick APA rated plywood or min. 3/4" thick wood plank (min SG of 0.42) for new and existing constructions. Designed by others and installed as per FBC 2020.

Underlayment: Minimum underlayment as per FBC 2020 Section 1507.4.5.1

Slope: 1/2:12 or greater in accordance with FBC 2020 Section 1507.4.2

Design Uplift Pressure:
(Factor of Safety = 2) 63.75 psf for Fastener Pattern 1 in 15/32" thick plywood deck
106.5 psf for Fastener Pattern 2 in 15/32" thick plywood deck
150.0 psf for Fastener Pattern 2 in 19/32" thick plywood deck

Panel Attachment: #9-15 or #10-14 x1.5" long wood screw with washer at max 16" o.c. through panel flat. Fasteners are corrosion resistant as per FBC 2020 Section 1507.4.4. Fastener shall be of sufficient length to penetrate through the deck a minimum of 3/8".

Fastener Patterns 1 2 fasteners per panel width. (One each adjacent to overlap and intermediate ribs)

Fastener Patterns 2 4 fasteners per panel width. (One each adjacent to overlap and underlap ribs and on both sides of intermediate rib)

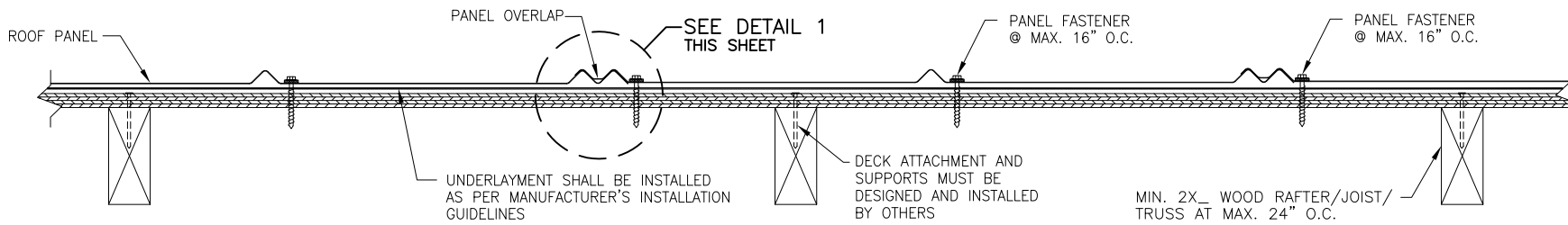
Test Standards: Roof assembly tested in accordance with TAS 125-03 'Standard Requirements for Metal Roofing Systems'.

Code Compliance: The product described herein has demonstrated compliance with FBC 2020 Section 1507.4.

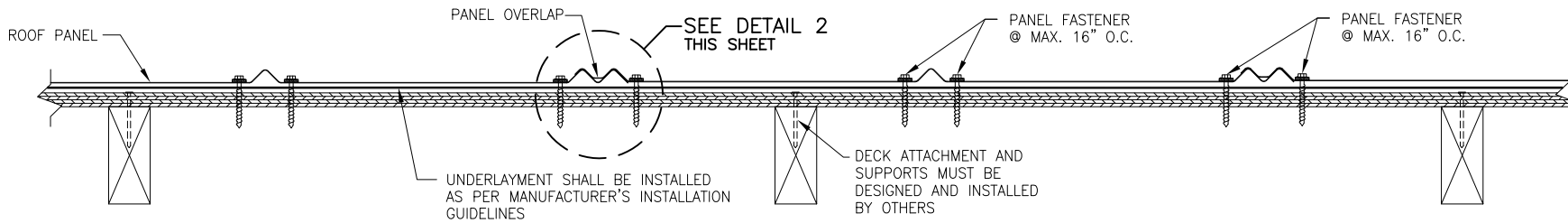
Product Limitations: Design wind loads shall be determined for each project in accordance with FBC 2020 Section 1609 or ASCE 7-16 using allowable stress design. The maximum fastener spacing listed herein shall not be exceeded. This evaluation report is not applicable in High Velocity Hurricane Zone. Refer to current NOA for use of this product in High Velocity Hurricane Zone. Fire classification is not within scope of this Evaluation Report. Refer to FBC 2020 Section 1505 and current

approved roofing materials directory or ASTM E108/UL790 report from an accredited laboratory for fire ratings of this product.

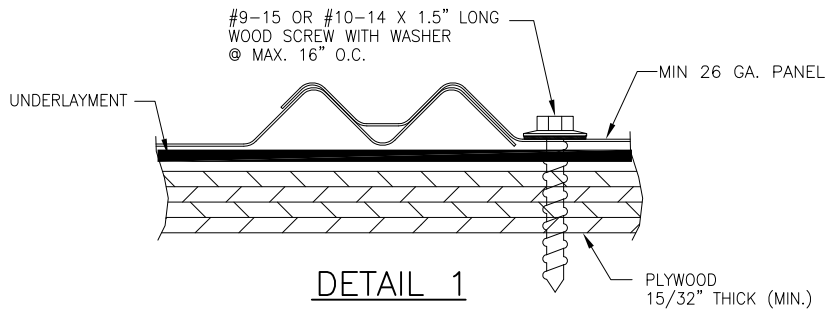
Supporting Documents: TAS 125-03 Test Reports
PRI Construction Materials Technologies
UCC-005-02-1, Reporting Date 2/09/12



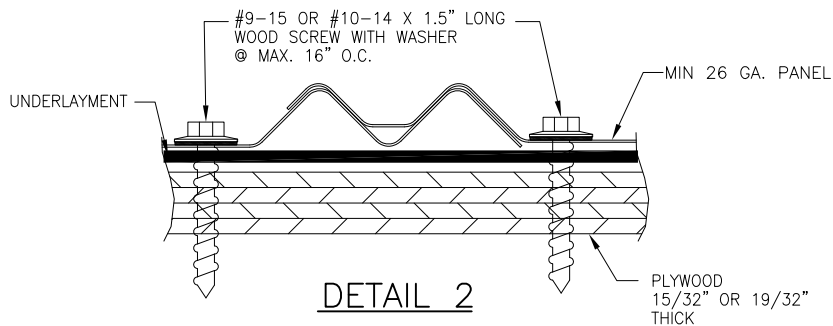
FASTENER PATTERN 1



TYPICAL PANEL INSTALLATION X-SECTION



DETAIL 1



DETAIL 2

ALLOWABLE UPLIFT PRESSURE

PLYWOOD THICKNESS	FASTENER PATTERN	PRESSURE (PSF)
1 5/32"	1	63.75
1 5/32"	2	106.5
1 9/32"	2	150.0

GENERAL NOTES:

1. ARCHITECTURAL ROOF PANEL HAS BEEN DESIGNED IN ACCORDANCE WITH THE FLORIDA BUILDING CODE (FBC).
2. ROOF PANELS ARE SHALL BE MINIMUM 26 GA. EFFECTIVE COVERING WIDTH OF PANEL = 24".
3. THE ROOF PANELS SHALL BE INSTALLED OVER SHEATHING & STRUCTURE AS SPECIFIED ON THIS DRAWING.
4. REQUIRED DESIGN WIND LOADS SHALL BE DETERMINED FOR EACH PROJECT. THIS PANEL SYSTEM MAY NOT BE INSTALLED WHEN THE REQUIRED DESIGN WIND LOADS ARE GREATER THAN THE ALLOWABLE WIND LOAD TABLE.
5. ALL FASTENERS MUST BE IN ACCORDANCE WITH THIS DRAWING & THE FLORIDA BUILDING CODE. IF A DIFFERENCE OCCURS BETWEEN THE MINIMUM REQUIREMENTS OF THIS DRAWING & THE CODE, THE CODE SHALL CONTROL.
6. RAFTERS/JOISTS/TRUSSES MUST BE DESIGNED TO WITHSTAND WIND LOADS AS REQUIRED FOR EACH APPLICATION AND ARE THE RESPONSIBILITY OF OTHERS.

DRAWN BY: B.S.	CHECKED BY: J.S.	DATE: 3/19/15
NO.	REVISION	DESCRIPTION
DRAWING TITLE 5V PANEL		
CONSULTANTS BALA SOCKALINGAM, PH.D., P.E.		
MANUFACTURER UNION CORRUGATING CO.		
1216 N. LANSING AVE., SUITE C TULSA, OK 74106		
701 S. KING STREET FAYETTEVILLE, NC 28301		
PHONE: 918-492-5992 FAX: 866-366-1543		
DRAWING NO. C2400-4		REV.
SHEET NO. 1		OF 1