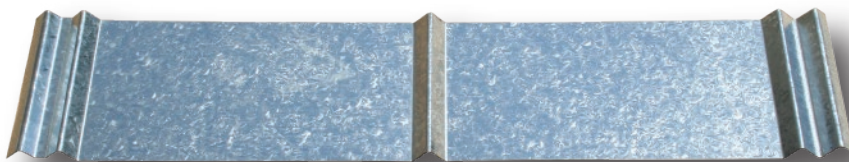




Contact your sales representative for more information.



Description

For generations, 5V roofing panels have been used on farm buildings and other rural projects. Today, many homeowners have recognized that the timeless design is ideal for homes as well. Our 5V panels are especially popular in Florida and other coastal areas. Designed with an enhanced "U" over "V" profile to provide maximum water-shedding capacity, our 5V panels are especially popular in Florida and other coastal areas..

Specifications

- Exposed fastener panel for roof and wall applications
- 3:12 minimum recommended roof pitch
- Suitable for solid decking or open framing

Substrates and Coatings

- Economy, 29 and 26 gauge high strength steel
- Anti-corrosion AZ50 Galvalume coating for painted and AZ55 for unpainted steel. Economy grades use a galvanized coating
- 45 Year and Lifetime Siliconized Modified Polyester Paint System

Finish Options

- 9 Paint Colors
- Energy Star Certified Colors Available
- Unpainted Galvalume
- Unpainted Galvanized

Approvals and Certifications

- Metal Construction Association Certified
- Florida Building Code Approved
- Miami-Dade Approved for Wind Uplift
- Energy Star Certified
- Texas Department of Insurance Approved
- Highest UL Ratings for Wind Uplift, Fire and Impact Resistance
- No Coastal Set Back



CERTIFICATIONS & TESTING

- UL 580 Class 90 Wind Uplift Construction #579 and #643
- UL 790 Fire resistance Class 4
- UL 2218 Impact resistance Class 4
- UL 1897 Uplift Test for Roof Covering
- Texas Department of Insurance Approval #119
- Miami-Dade County NOA Approved
- Metal Construction Association (MCA) Certified

Florida Building Code Approved:

- 7271.2 26 Ga. over 19/32" plywood
- 7271.3 29 Ga. over 15/32" APA plywood
- 7271.4 26 Ga. over 19/32" plywood
- 9555.1 29 Ga. over 1x4 wood furring structural
- 20484.2 26 Ga. over 15/32" plywood

ALLOWABLE UNIFORM LOADS PER SQUARE FOOT

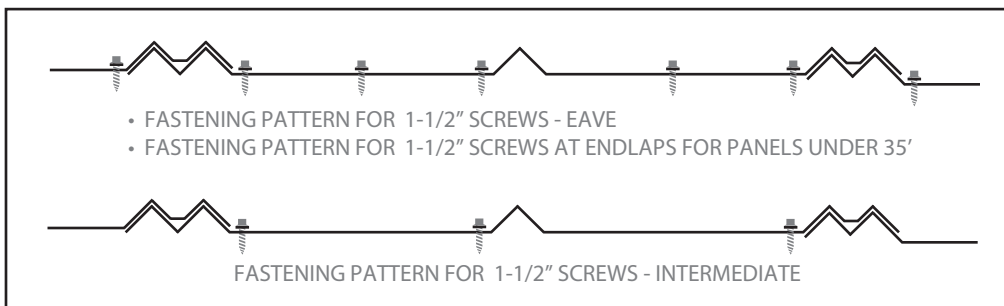
Maximum purlin spacing for roof 2' on center and maximum girt spacing for sidewall 3' on center. Place fasteners in the pan of panel for best results. (Three spans or more)

SPAN (INCHES)	LIVE LOAD (lb/ft ²)							WIND LOAD (lb/ft ²)						
	12"	15"	18"	21"	24"	30"	36"	12"	15"	18"	21"	24"	30"	36"
29 Gauge	146	93	64	47	36	23	16	200	128	89	65	50	32	22
26 Gauge	200	128	89	65	50	32	22	267	170	118	87	66	42	29

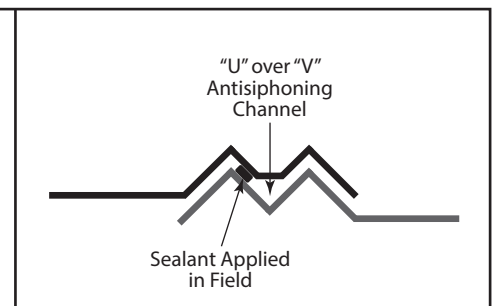
NOTES:

1. Theoretical allowable loads are based on section properties and allowables calculated in accordance with 2001 AISI Specifications.
2. Theoretical allowable loads are based on three or more uniform spans.
3. For roof panels, deduct self weight for actual 'live load' capacity of the panel.
4. These loads are for panel strength. Frames, purlins, decks and fasteners must be designed to resist all loads imposed on the panel.
5. Check local building codes if panel testing is required.

RECOMMENDED FASTENING PATTERN FOR 1-1/2" SCREWS



PANEL OVERLAP



STORAGE

If the panels are not to be used immediately, store inside in a well ventilated and dry location. Condensation or other moisture can form between the sheets during storage, causing white rust or water stains, which detract from the appearance of the product, and may effect the product's useful life. Trapped moisture between sheets of painted metal can cause white rust to form underneath the paint. This can cause the paint to flake off of the panel immediately or several years later. To prevent white rust and staining, the following precautions should be taken:

1. Break the shipping bands on the metal and wipe the sheets dry.
2. Store metal on end or on an incline of at least 8" with support bands underneath to prevent sagging.
3. Fan sheets slightly at the bottom to allow for air circulation.
4. Keep the sheets off of the ground with an insulator such as wood.

Any outdoor storage is at the customer's own risk. If outdoor storage cannot be avoided, protect the metal using a canvas cover or waterproof paper. Never cover the metal with plastic as this will cause condensation to form.

BEFORE BEGINNING INSTALLATION OF THIS PRODUCT, READ OUR INSTALLATION INSTRUCTIONS.

** For more information, call (888) MTL-ROOF or visit our website at www.unioncorrugating.com **