

# ADVANTAGE-LOK II®



Your Roof. For Life!  
On Time and Complete!™



Contact your sales representative for more information.



## Description

Standing seam roofing panels have been used on traditional and contemporary homes for more than a century. Their clean, graceful lines have been an enduring favorite on a wide range of architecture. Advantage-Lok II is a premium standing seam panel that was designed with low profile ribs to increase strength and wind resistance. This product utilizes a high-strength snap locking system and installs in the same manner as our original Advantage-Lok panels. It's a perfect choice for up-scale residential and commercial applications in severe weather areas.

## Specifications

- Standing seam concealed fastener panel for roof applications
- Snap locking ribs
- Screw flange installation
- 3:12 minimum recommended roof pitch
- Suitable for solid decking

## Substrates and Coatings

- 26 and 24 gauge high strength steel
- 0.032" aluminum
- Anti-corrosion AZ50 Galvalume coating for painted and AZ55 for unpainted steel
- 26 ga available in 45 Year and Lifetime Siliconized Modified Polyester Paint System
- 24 ga and aluminum available in PVDF (Kynar 500 or Hylar 5000) Paint System

## Finish Options

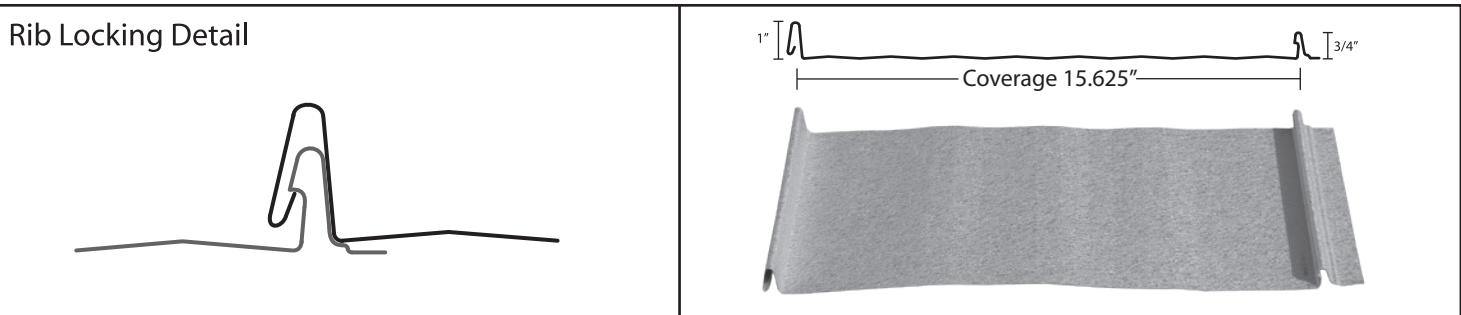
- PVDF (Kynar®) and Siliconized Modified Polyester Paints Available
- Energy Star Certified Colors Available
- Unpainted Galvalume®

## Approvals and Certifications

- Metal Construction Association Certified
- Miami-Dade Approved
- Florida Building Code Approved
- Energy Star Certified
- Highest UL Ratings for Wind Uplift, Fire and Impact Resistance
- No Coastal Set Back



## PANEL DETAILS

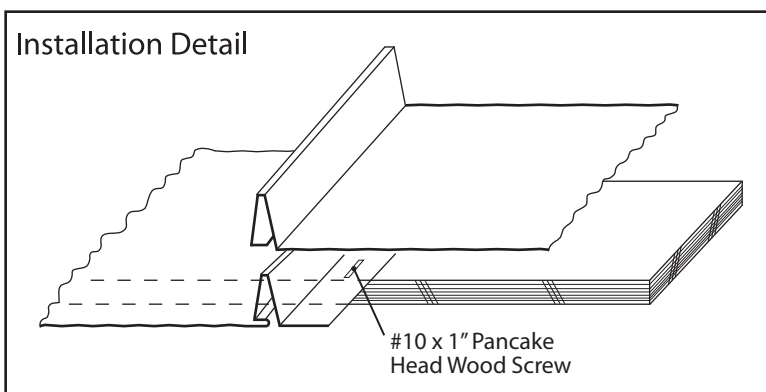


## CERTIFICATIONS & TESTING

- UL 790 Fire Resistance Class A
- UL 2218 Impact Resistance Class 4
- UL 580 Uplift UL Class 90 Construction #529
- UL 1897 Uplift Test for Roof Covering
- Texas Department of Insurance Approval #156
- Miami-Dade County NOA Compliant

## INSTALLATION

Advantage-Lok II is a snap locking standing seam panel that's easy to install and ideal for residential and commercial applications. Panels are installed by fastening the male panel leg screw flange to the substrate with pancake head screws. The female panel rib is simply snapped over the male leg which locks it into place and conceals the fasteners. Advantage-Lok II should be installed over solid decking with a minimum recommended roof pitch of 3:12.



**BEFORE BEGINNING INSTALLATION OF THIS PRODUCT, CHECK LOCAL BUILDING CODES.**

\*\* For more information, call (888) MTL-ROOF or visit our website at [www.unioncorrugating.com](http://www.unioncorrugating.com) \*\*