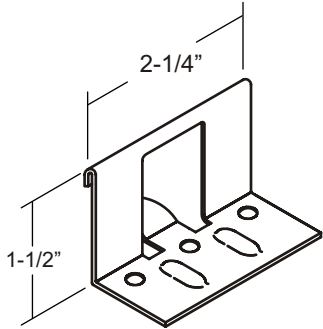
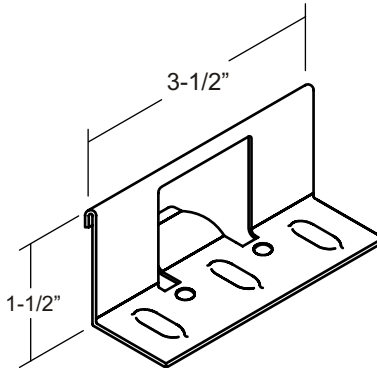


Clip 10



SL150 Clip 10
Standard clip, 20 gauge Galvanized
Provides unlimited thermal movement

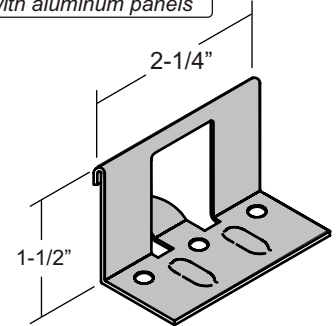
Clip 11



SL150 Clip 11
UL clip, 18 gauge Galvanized
Provides unlimited thermal movement

Clip 12

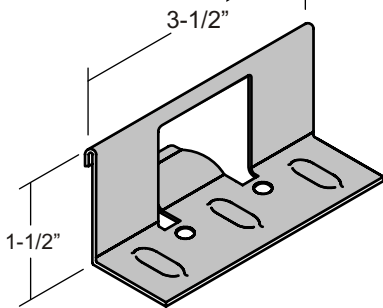
Recommended for use with aluminum panels



SL150 Clip 12
Standard Clip, 20 gauge Stainless Steel
Provides unlimited thermal movement

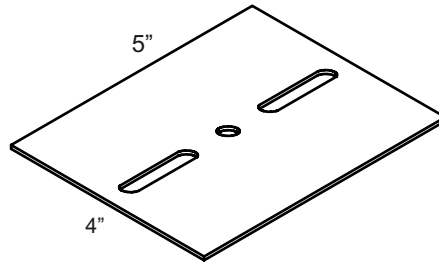
Clip 13

Recommended for use with aluminum panels



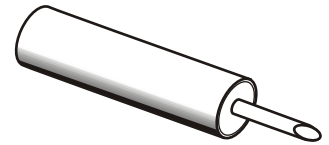
SL150 Clip 13
UL clip, 18 gauge Stainless Steel
Provides unlimited thermal movement

Bearing Plate



Bearing Plate
4" x 5", 16 gauge Galvanized
For use under clips applied over rigid insulation

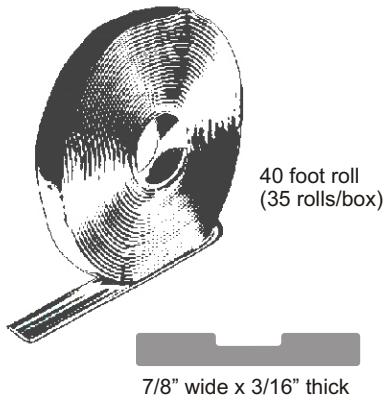
Tube Sealant



- Ultra 1000 Sealant** (*Required for Weather-tight warranty applications*)
Colors: Translucent, Gutter Gray, Dark Bronze, White, Sandstone, Red, Green
- Geocel 2300** Tripolymer
Color: Clear
- Polyurethane**
Color: Gray

Tube Sealant
10 oz. tube (estimate 25 lf/tb at 1/4" bead)

Tape Sealant



Double Bead Butyl Tape Sealant
7/8" wide x 3/16" thick x 40 foot roll
For use under offset cleats and zee closures

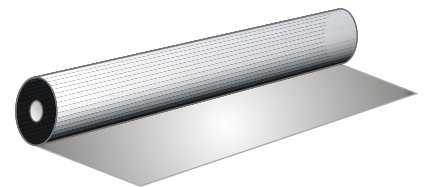
Touch-Up Paint



- 2 oz. can for Kynar colors
- 0.6 oz. bottle for SMP colors

Air Dry Touch-Up Paint
To touch-up small scratches and abrasions
Note: Color match with roof is not guaranteed

Repel™ Underlayment

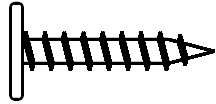


Repel™ Synthetic Underlayment
48" wide x 250' long rolls (10 squares/roll)



SL150 Panel Accessories Guide

Pancake Wood Screw

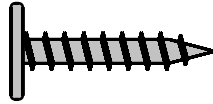


- #10-12 x 1" long
- #10-12 x 1-1/2" long
- #10-12 x 2" long
- #10-12 x 2-1/2" long
- #10-12 x 3" long

#10-12 Pancake Head Wood Screw

Zinc plated, Quadrex bit
For attachment of clips and flashings to wood

Stainless Pancake Screw

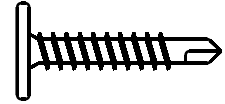


Recommended for use with aluminum panels

#10-12" Pancake Head Wood Screw

Stainless Steel, Quadrex Bit
For attachment of clips and flashings to wood

Pancake Head Self-Driller



- #10-16 x 1" long
- #12-14 x 1" long

#10-16 or #12-14 Self-Drilling Screw

Zinc Plated, Quadrex bit
For attachment of clips and flashings to steel

Deck Screw



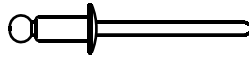
- #14-13 x 1-1/2" long
- #14-13 x 2" long
- #14-13 x 3" long
- #14-13 x 4" long
- #14-13 x 5" long
- #14-13 x 6" long
- #14-13 x 7" long
- #14-13 x 8" long
- #14-13 x 9" long

For use with steel or wood decks. Can be used with aluminum panels

#14-13 Pancake Head DP1 Screws

Tri-Seal™ coating, Square drive bit
To attach clips over rigid insulation into deck

Pop Rivet

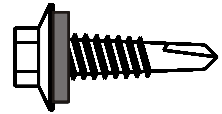


- #1/8 x 3/16" long, Plain or Painted

Pop Rivet, 1/8" Diameter x 3/16" Grip

Stainless Steel Rivet and Mandrel
For sheet metal joining. Pre-drill w/ 1/8" hole.

Lap Tek

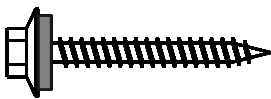


- #1/4-14 x 7/8" long, Plain or Painted

1/4"-14 x 7/8" SD Lap Tek Screw

5/16" HWH w/ washer, Zinc Plated
For sheet metal joining

HWH Wood Screw

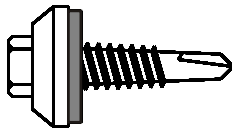


- #10-14 x 1" long, Plain or Painted
- #10-14 x 1-1/2" long, Plain or Painted
- #10-14 x 2" long, Plain or Painted
- #10-14 x 2-1/2" long, Plain or Painted
- #10-14 x 3" long, Plain or Painted

#10-14 Wood Screw

1/4" HWH w/ washer, Zinc Plated
To attach sheet metal components to wood

Long-Life Lap Tek

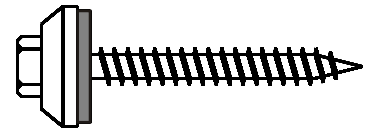


- #1/4-14 x 7/8" long, Plain or Painted

1/4" x 7/8" SD Ultimate® Lap Tek Screw

5/16" HWH Zinc Alloy Head w/ washer
For sheet metal joining

Long-Life HWH Wd Screw



- #10-14 x 1" long, Plain or Painted
- #10-14 x 1-1/2" long, Plain or Painted
- #10-14 x 2" long, Plain or Painted
- #10-14 x 2-1/2" long, Plain or Painted

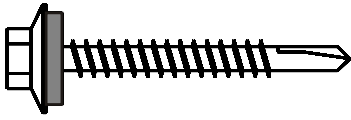
#10-14 Ultimate® Wood Screw

5/16" HWH Zinc Alloy Head w/ washer
To attach sheet metal components to wood



SL150 Panel Accessories Guide

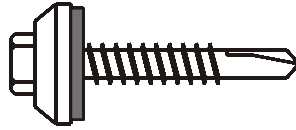
HWH Self-Drilling Screw



- #12-14 x 1" long, Plain or Painted
- #12-14 x 1-1/4" long, Plain or Painted
- #12-14 x 1-1/2" long, Plain or Painted
- #12-14 x 2-1/2" long, Plain or Painted

#12-14 Drill Point #2 (DP2)
5/16" HWH w/ washer, Zinc Coated
To attach sheet metal components to steel

Long-Life HWH SD Screw



- #12-14 x 1-1/4" long, Plain or Painted

#12-14 Ultimate® Drill Point #2 (DP2) Screw
5/16" HWH Zinc Alloy Head w/ washer
To attach sheet metal components to steel

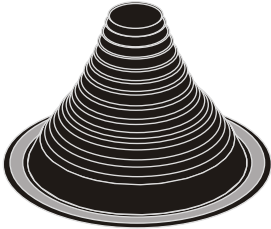
HWH Self-Drilling Screw



- #12-14 x 1" long, Plain
- #12-14 x 1-1/2" long, Plain

#12-14 Drill Point #2 (DP2) Screw
5/16" HWH (No Washer), Zinc Coated
For attachment of structural members to steel

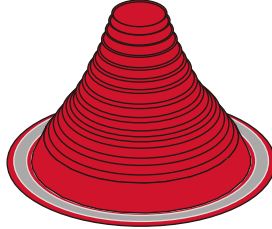
Pipe Boot



- #3 Boot - Fits 1/4" to 5" diameter (8" base)
- #4 Boot - Fits 3" to 6" diameter (9-1/2" base)
- #5 Boot - Fits 4" to 7" diameter (11" base)
- #6 Boot - Fits 5" to 9" diameter (12-3/4" base)

Pipe Boot, Black EPDM
For use with pipe penetrations

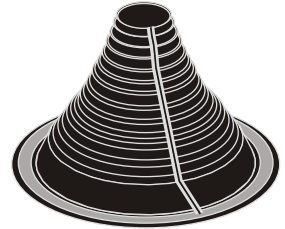
High Temp. Pipe Boot



- #3 Boot - Fits 1/4" to 5" diameter (8" base)
- #4 Boot - Fits 3" to 6" diameter (9-1/2" base)
- #5 Boot - Fits 4" to 7" diameter (11" base)
- #6 Boot - Fits 5" to 9" diameter (12-3/4" base)

High Temp. Pipe Boot, Orange Silicone
For high temperature pipe penetrations

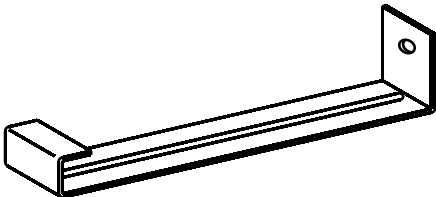
Retrofit Pipe Boot



- #1 Boot - Fits 3/4" to 2-3/4" diameter
- #2 Boot - Fits 2" to 7-1/4" diameter
- #3 Boot - Fits 3-1/4" to 10" diameter

Retrofit Pipe Boot, Black EPDM
For use with "wrap-around" applications

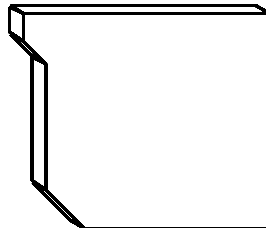
Gutter Hanger



- 5" Hidden Gutter Hanger
- 6" Hidden Gutter Hanger
- 7" Hidden Gutter Hanger
- 8" Hidden Gutter Hanger

Hidden Gutter Hanger, 18 ga. Galvanized
For use with GT## gutter profiles

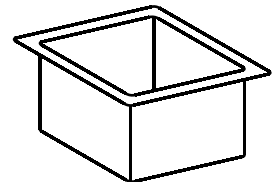
Gutter End Cap



- 5" End Cap, Left and Right
- 6" End Cap, Left and Right
- 7" End Cap, Left and Right
- 8" End Cap, Left and Right

Gutter End Caps (match gutter material)
For use with GT## gutter profiles

Outlet Tube



- 3" x 4"
- 4" x 5"
- Custom Size: _____

Downspout Outlet Tube (match gutter matl.)
For use with rectangular downspouts