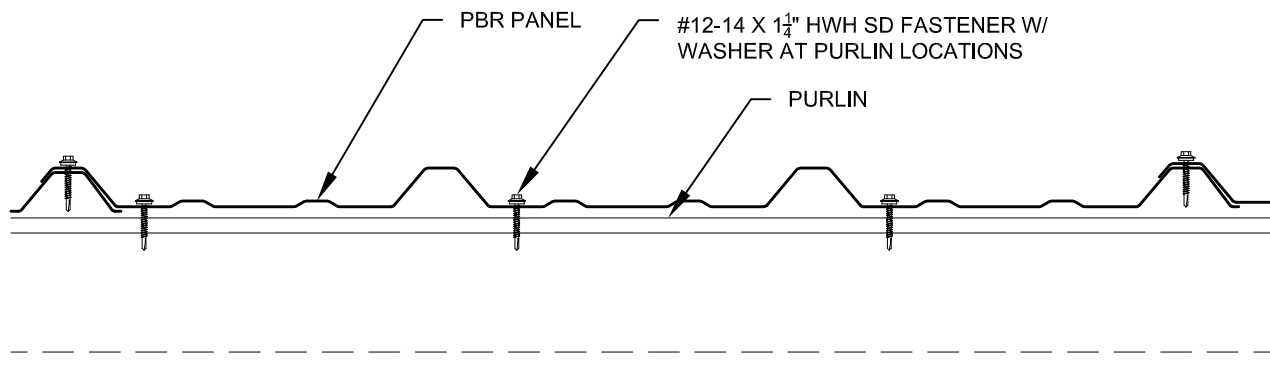




# PBR Panel & R-Panel Open Framing Master Details

## Structural / Open Framing / Low Slope

The following details are commonly used over low to steep sloped applications including those over open spans such as structural steel purlins or hat sections. Such details are largely based on hydrostatic design principles and structural detailing.



FAYETTEVILLE, NC  
888-685-7663

SPENCER, NC  
800-526-8156

ANDERSON, SC  
800-544-5169

TIFTON, GA  
800-962-9131

ORANGE, VA  
800-762-6785

OCALA, FL  
800-331-3584

VICKSBURG, MS  
888-661-0577

TIPP CITY, OH  
877-615-9812

OKLAHOMA CITY, OK  
866-373-5286

SCRANTON, PA  
866-695-6455



# PBR Panel & R-Panel

## -Open Framing-

# Index

### ***PBR Panel Roof Details*** ***Detail No.***

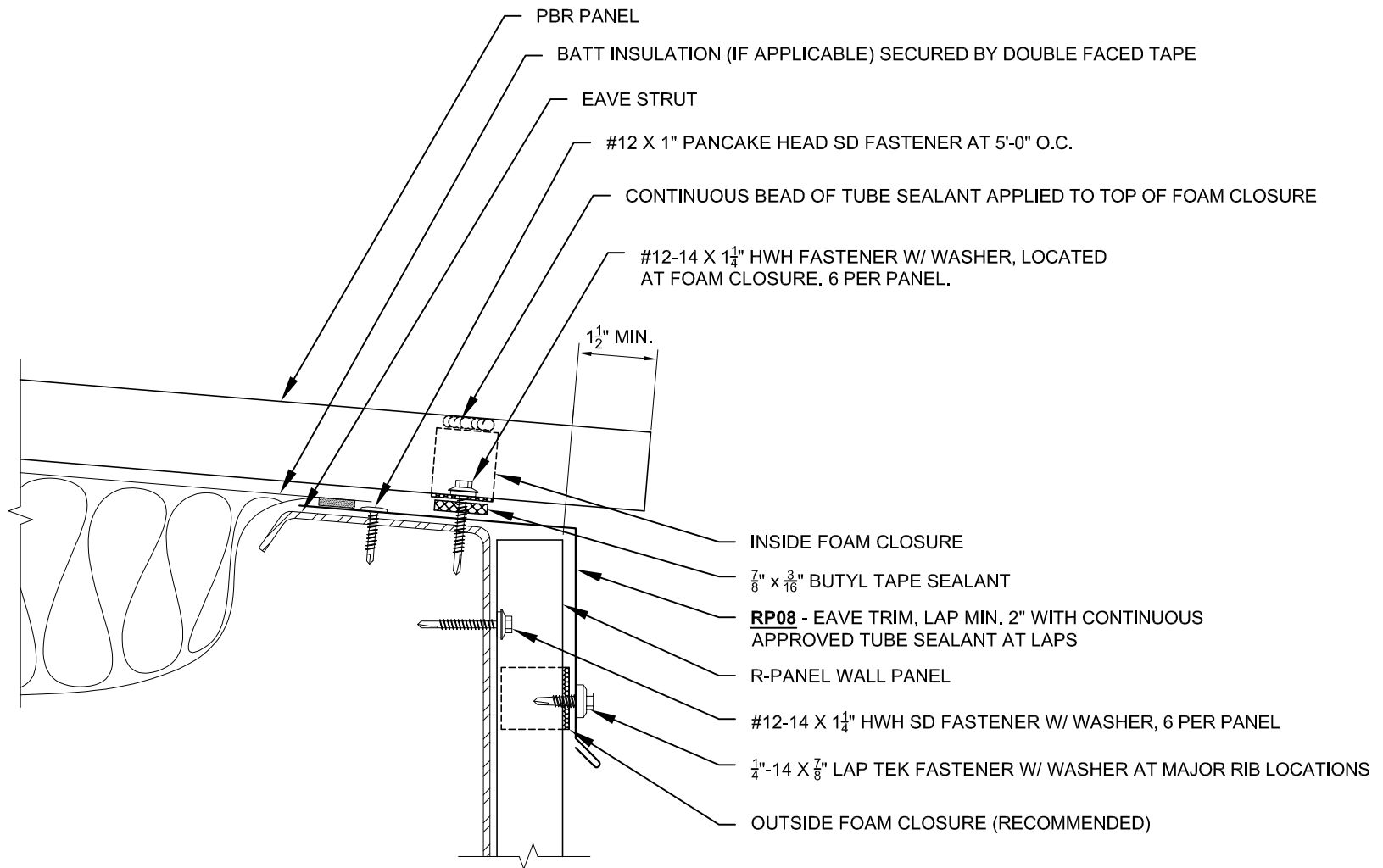
---

<i>Eave</i> .....	1.0
<i>Sculptured Eave Gutter</i> .....	2.0
<i>Sculptured Eave Hang-On Gutter</i> .....	2.1
<i>Rake</i> .....	3.0
<i>Valley</i> .....	4.0
<i>Flat Ridge Cap</i> .....	5.0
<i>Formed Ridge Cap</i> .....	6.0
<i>Flat Hip Cap</i> .....	7.0
<i>High Side Eave</i> .....	8.0
<i>Sidewall</i> .....	9.0
<i>Highwall</i> .....	10.0
<i>Panel Lap</i> .....	11.0

### ***R-Panel Wall Details*** ***Detail No.***

---

<i>Outside &amp; Inside Corner Trim</i> .....	1.0
<i>Base Trim</i> .....	2.0
<i>Header Trim</i> .....	3.0
<i>Sill Trim</i> .....	4.0
<i>Jamb Trim</i> .....	5.0



Description:

# EAVE

Detail No.:

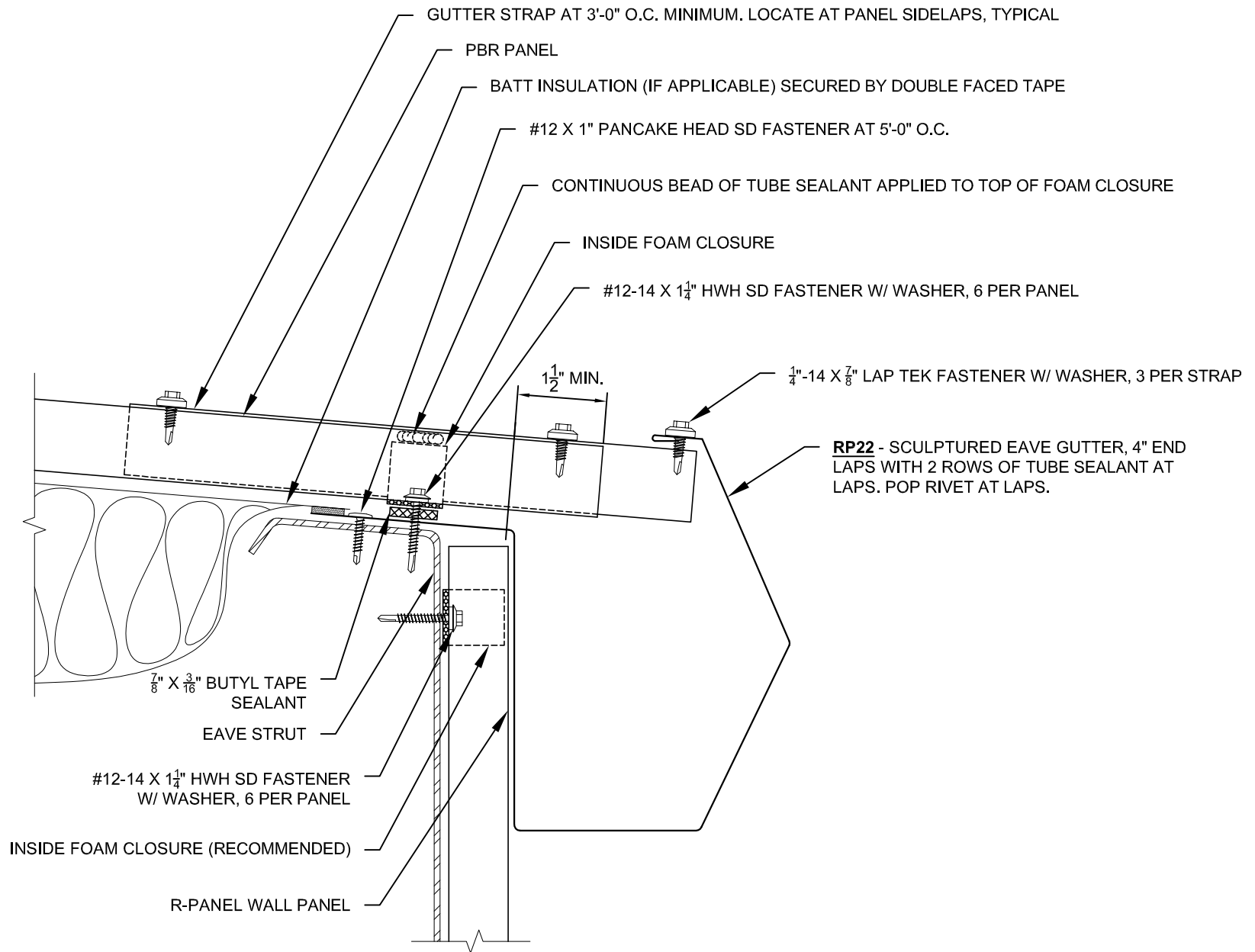
PBR-OF-1.0

Substrate:

OPEN FRAMING

Project Name:

Location:



Description:

# SCULPTURED EAVE GUTTER

Detail No.:

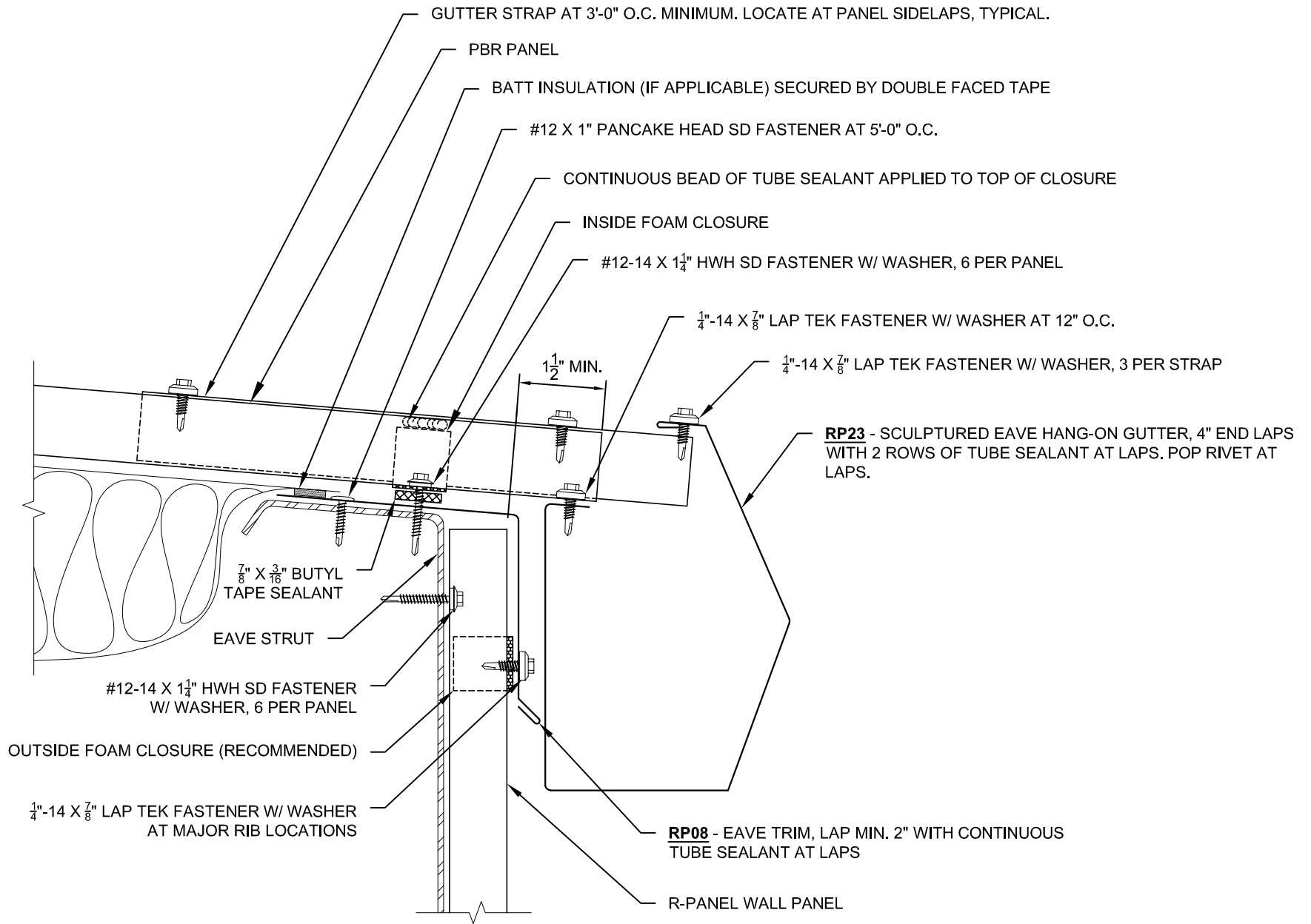
PBR-OF-2.0

Substrate:

OPEN FRAMING

Project Name:

Location:



Description:

# SCULPTURED EAVE HANG-ON GUTTER

Detail No.:

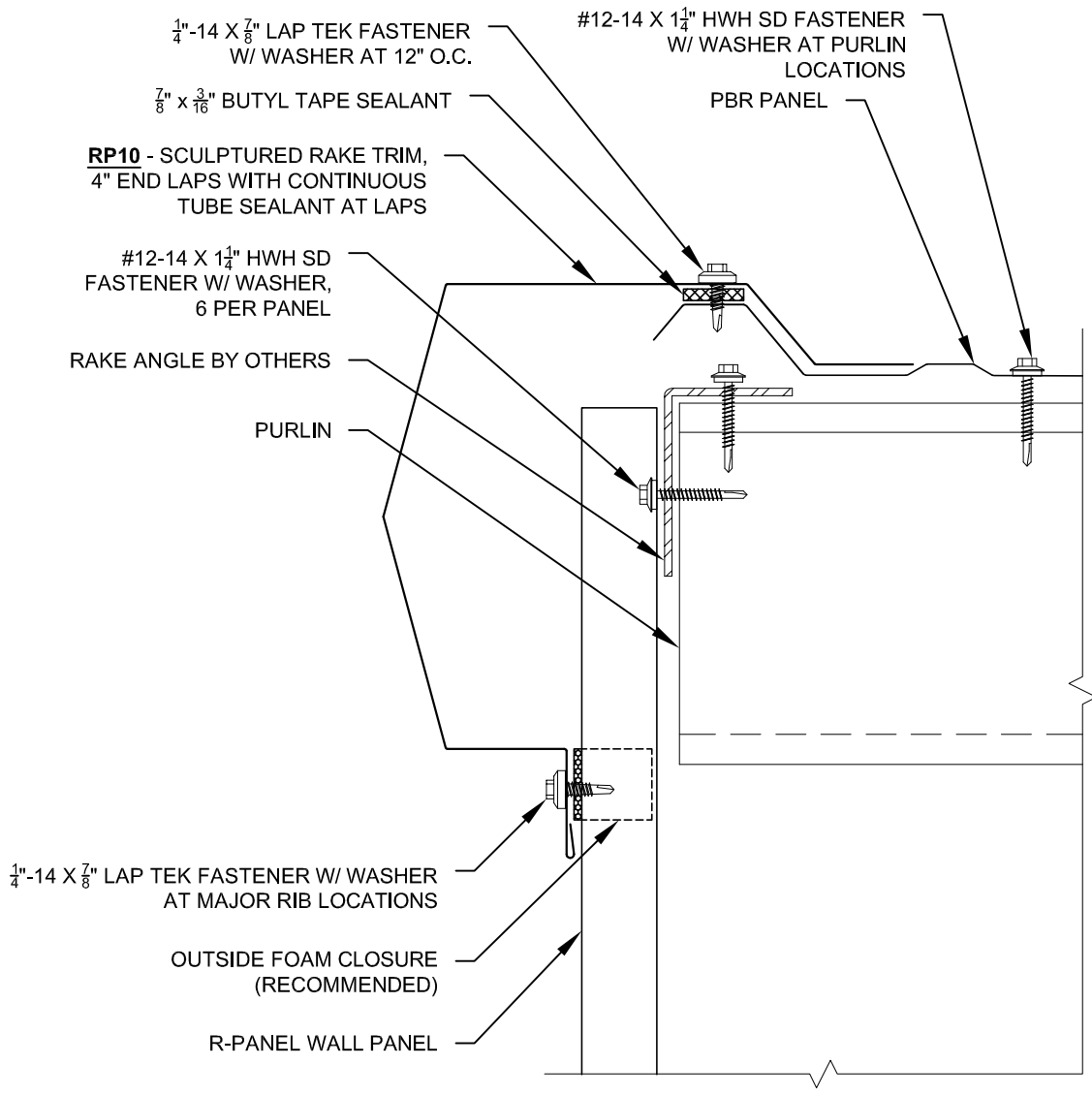
PBR-OF-2.1

Substrate:

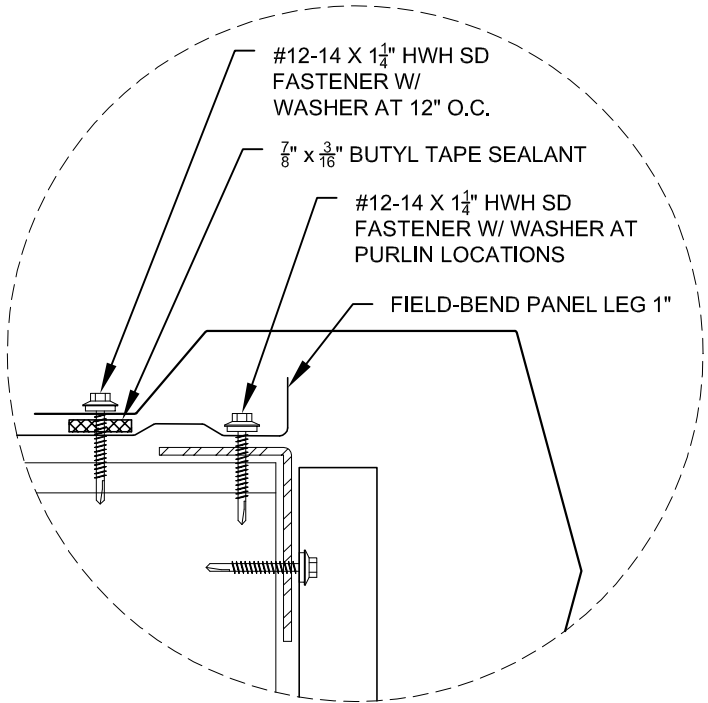
OPEN FRAMING

Project Name:

Location:



BEGINNING ON MODULE



FINISHING OFF MODULE

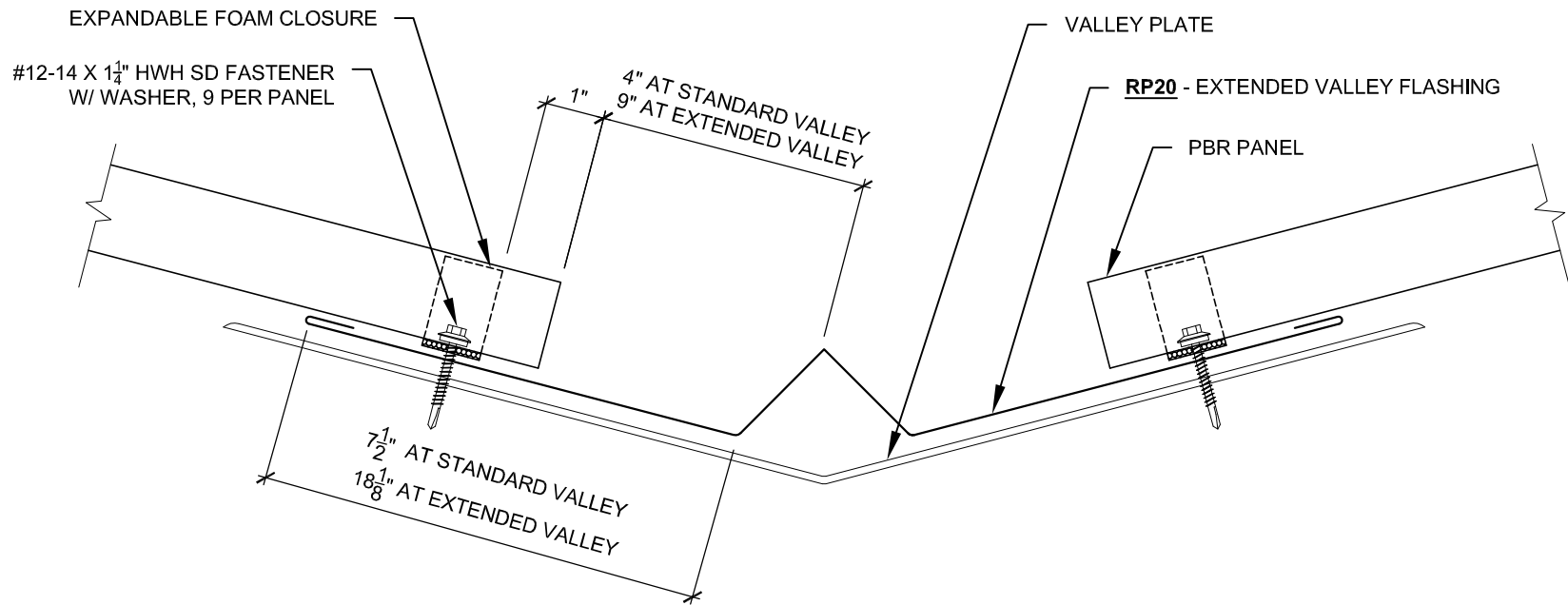


Description: **RAKE**

Detail No.: **PBR-OF-3.0**

Substrate: **OPEN FRAMING**

Project Name:  
Location:



Description:

VALLEY

Detail No.:

PBR-OF-4.0

Substrate:

OPEN FRAMING

Project Name:

Location:

**RP16 - RIDGE CAP FLASHING, 4" END LAPS WITH CONTINUOUS TUBE SEALANT AT LAPS**

$\frac{1}{4}$ " - 14 X  $\frac{7}{8}$ " LAP TEK FASTENER W/ WASHER AT EACH MAJOR RIB

OUTSIDE FOAM CLOSURE

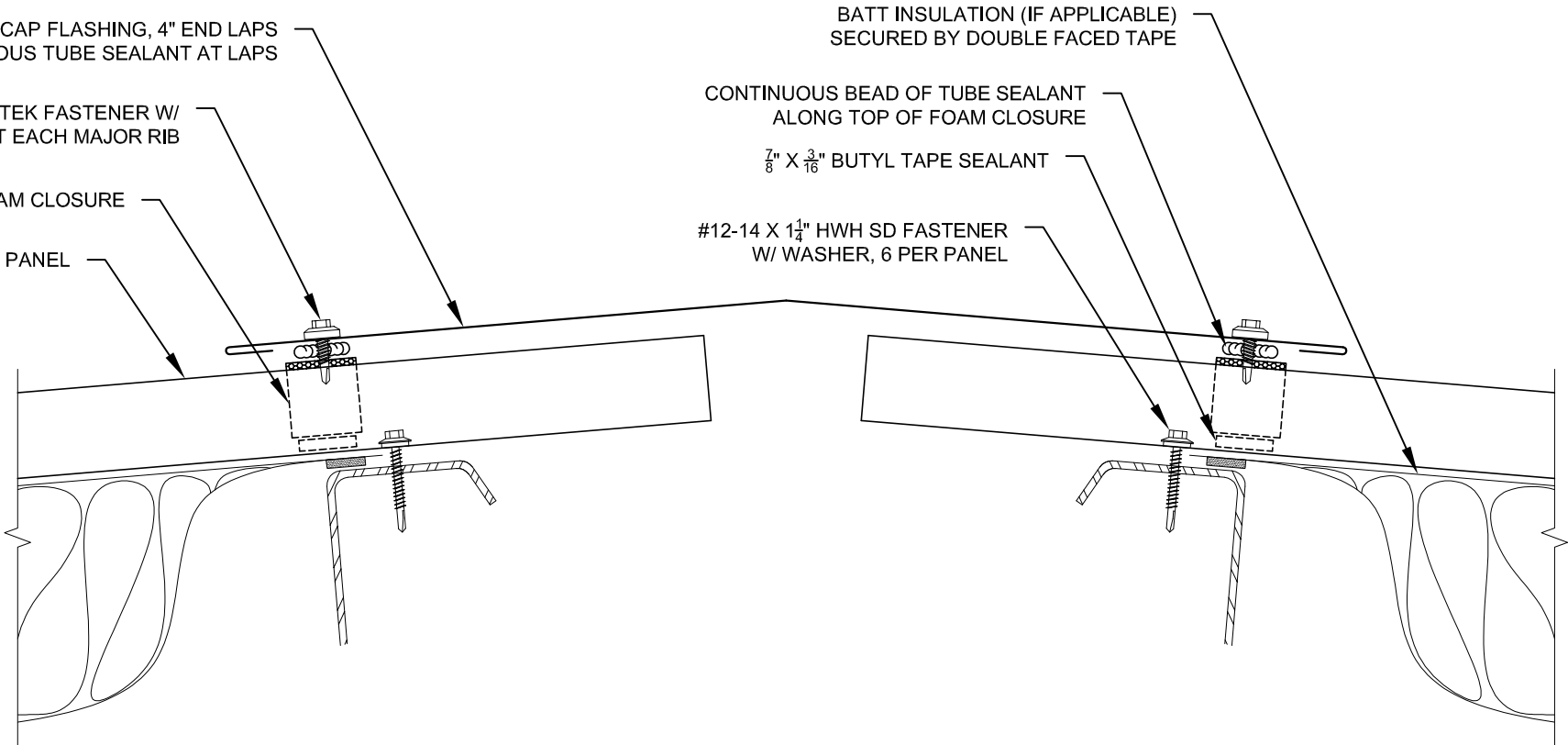
PBR PANEL

BATT INSULATION (IF APPLICABLE) SECURED BY DOUBLE FACED TAPE

CONTINUOUS BEAD OF TUBE SEALANT ALONG TOP OF FOAM CLOSURE

$\frac{7}{8}$ " X  $\frac{3}{16}$ " BUTYL TAPE SEALANT

#12-14 X  $1\frac{1}{4}$ " HWH SD FASTENER W/ WASHER, 6 PER PANEL



Description:

**FLAT RIDGE CAP**

Detail No.:

**PBR-OF-5.0**

Substrate:

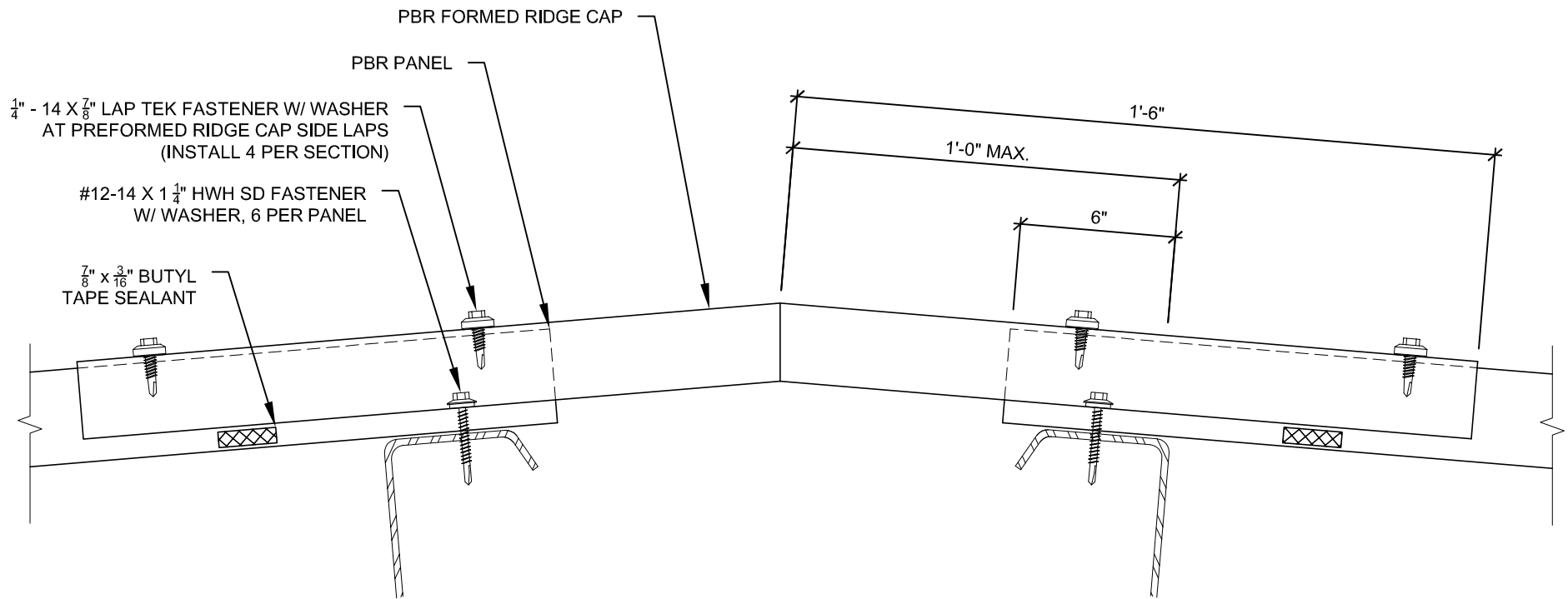
**OPEN FRAMING**

Project Name:

Location:



**IMPORTANT INSTALLATION NOTE**  
 APPLICABLE FOR ROOFS UP TO 4:12 PITCH ONLY.



1/4" - 14 X 7/8" LAP TEK FASTENER W/ WASHER  
 AT PREFORMED RIDGE CAP SIDE LAPS  
 (INSTALL 4 PER SECTION)

#12-14 X 1 1/4" HWH SD FASTENER  
 W/ WASHER, 6 PER PANEL

7/8" X 3/16" BUTYL  
 TAPE SEALANT

PBR FORMED RIDGE CAP

PBR PANEL

1'-6"  
 1'-0" MAX.

6"



Description: **FORMED RIDGE CAP**

Detail No.: **PBR-OF-6.0**

Substrate: **OPEN FRAMING**

Project Name:  
 Location:

**RP16** - HIP CAP FLASHING, 4" END LAPS WITH CONTINUOUS TUBE SEALANT AT LAPS

$\frac{1}{4}$ " - 14 X  $\frac{7}{8}$ " LAP TEK FASTENER W/ WASHER AT EACH MAJOR RIB

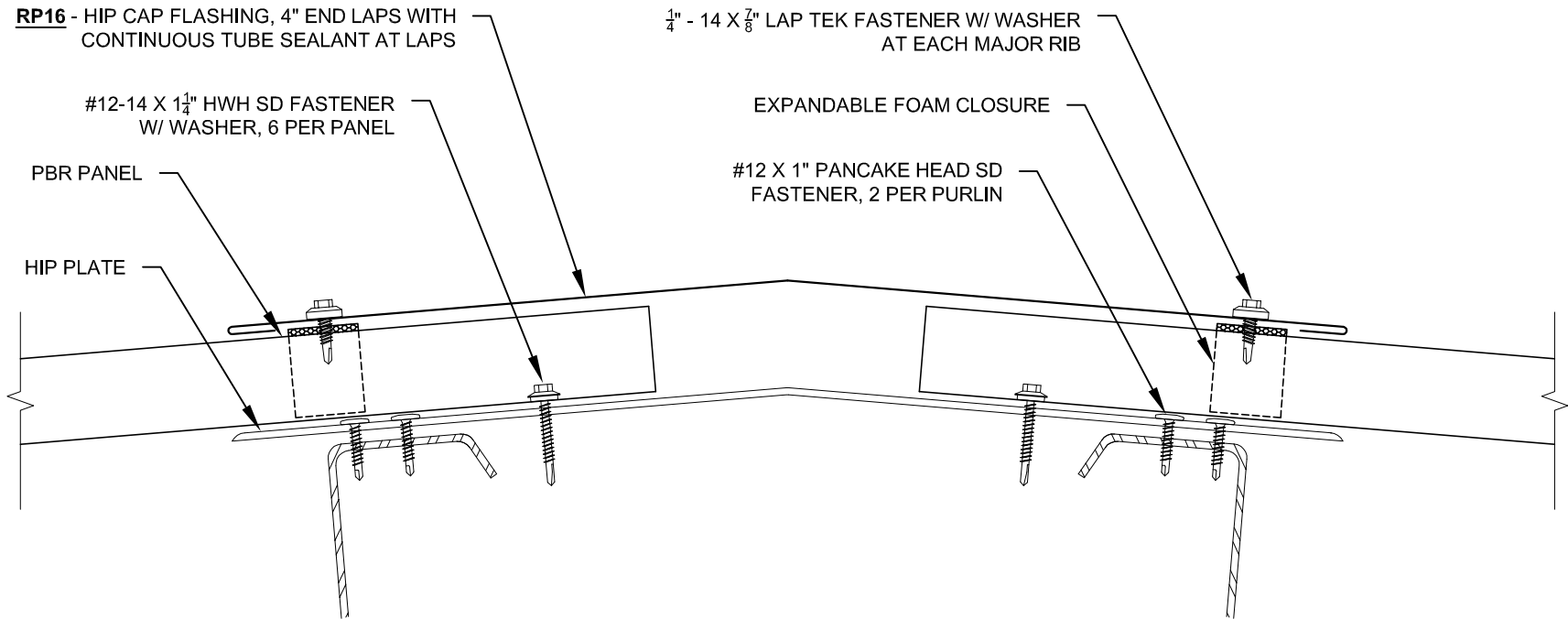
#12-14 X  $1\frac{1}{4}$ " HWH SD FASTENER W/ WASHER, 6 PER PANEL

EXPANDABLE FOAM CLOSURE

PBR PANEL

#12 X 1" PANCAKE HEAD SD FASTENER, 2 PER PURLIN

HIP PLATE



Description:

**FLAT HIP CAP**

Detail No.:

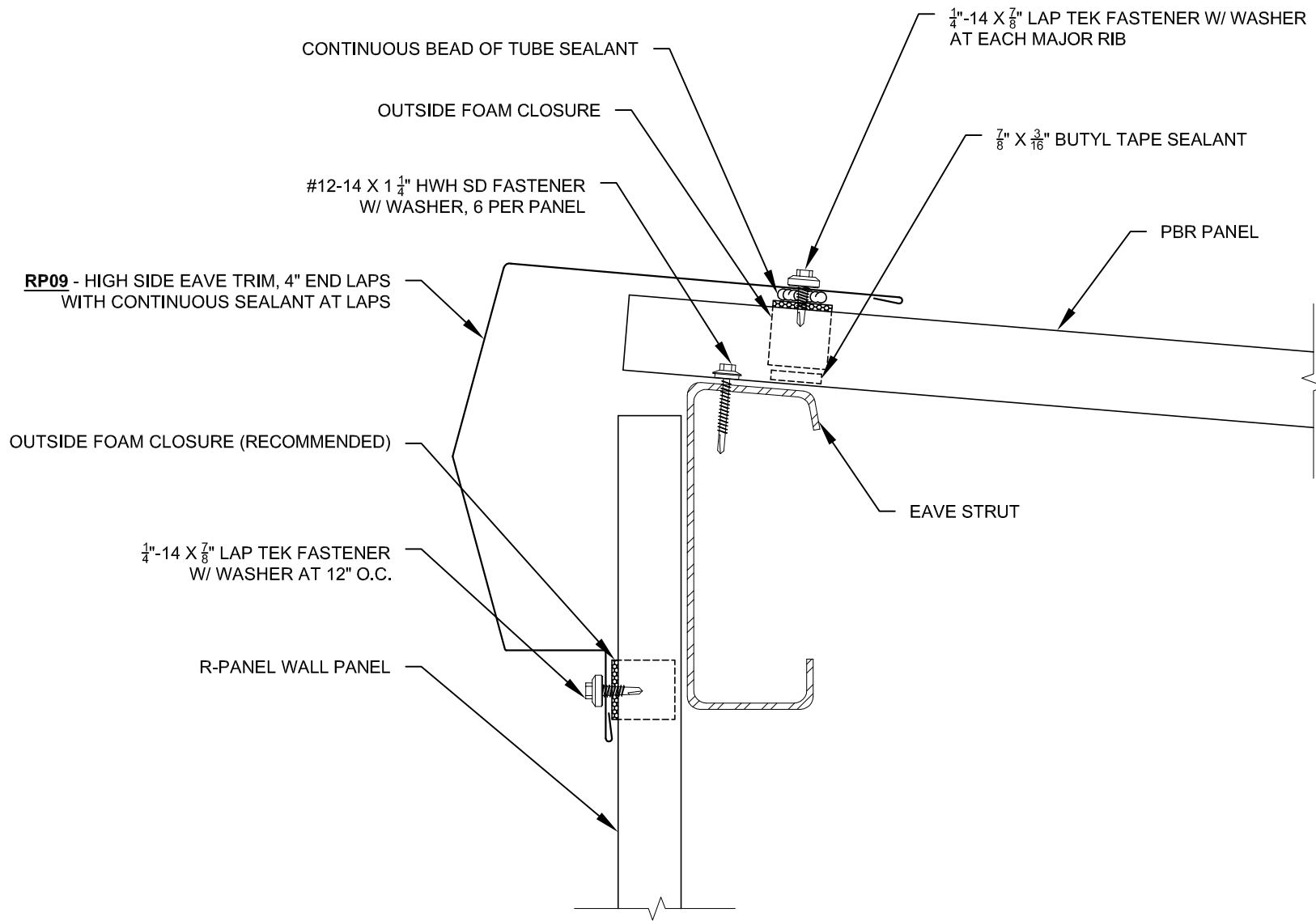
**PBR-OF-7.0**

Substrate:

**OPEN FRAMING**

Project Name:

Location:



Description:

# HIGH SIDE EAVE

Detail No.:

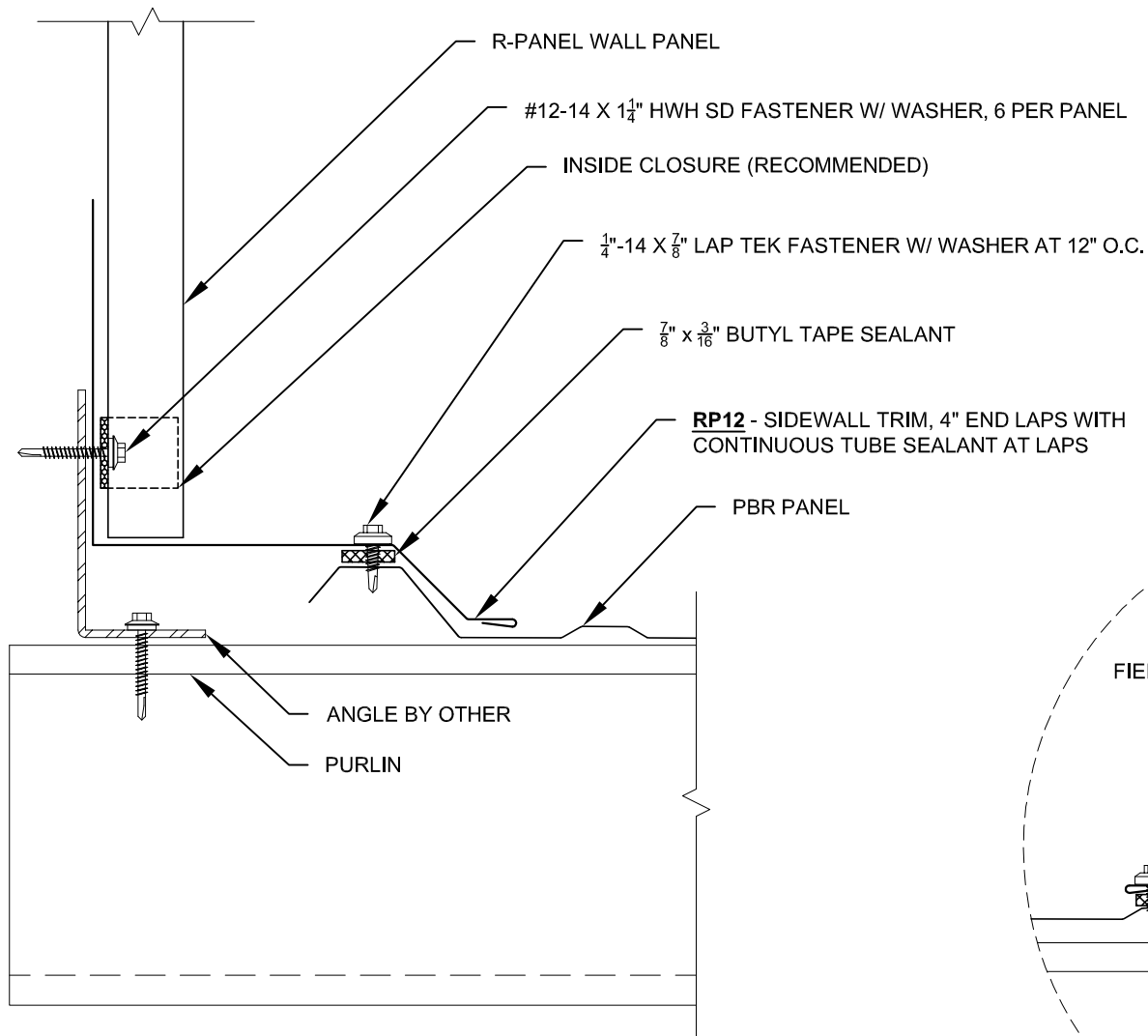
PBR-OF-8.0

Substrate:

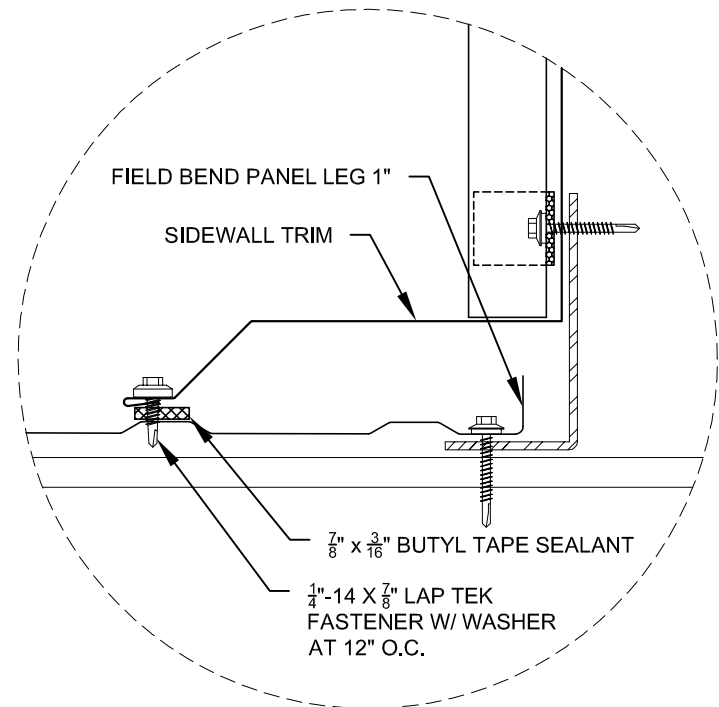
OPEN FRAMING

Project Name:

Location:



BEGINNING ON MODULE



FINISHING OFF MODULE



Description:

**SIDEWALL**

Detail No.:

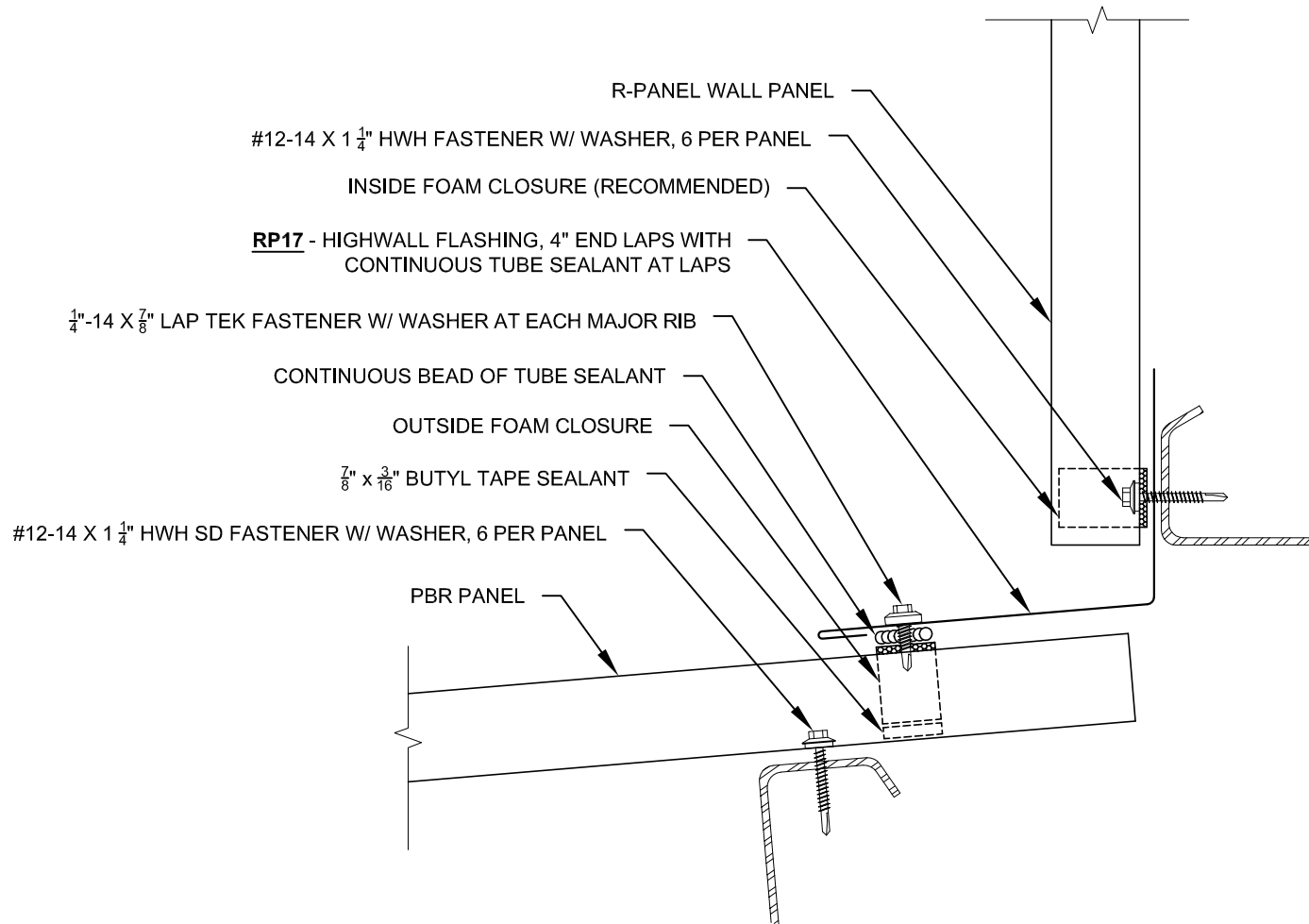
**PBR-OF-9.0**

Substrate:

**OPEN FRAMING**

Project Name:

Location:



Description:

# HIGHWALL

Detail No.:

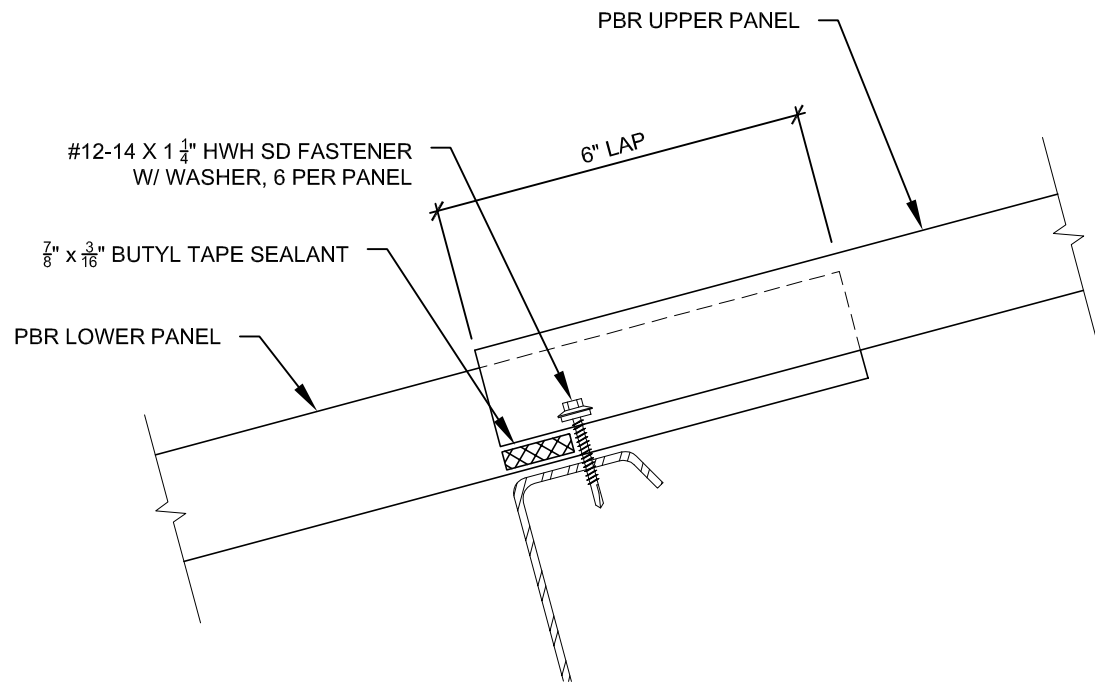
PBR-OF-10.0

Substrate:

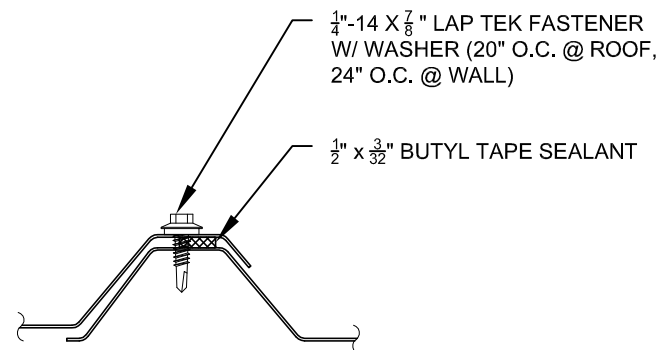
OPEN FRAMING

Project Name:

Location:



END LAP DETAIL



SIDE LAP DETAIL



Description:

PANEL LAP

Detail No.:

PBR-OF-11.0

Substrate:

OPEN FRAMING

Project Name:

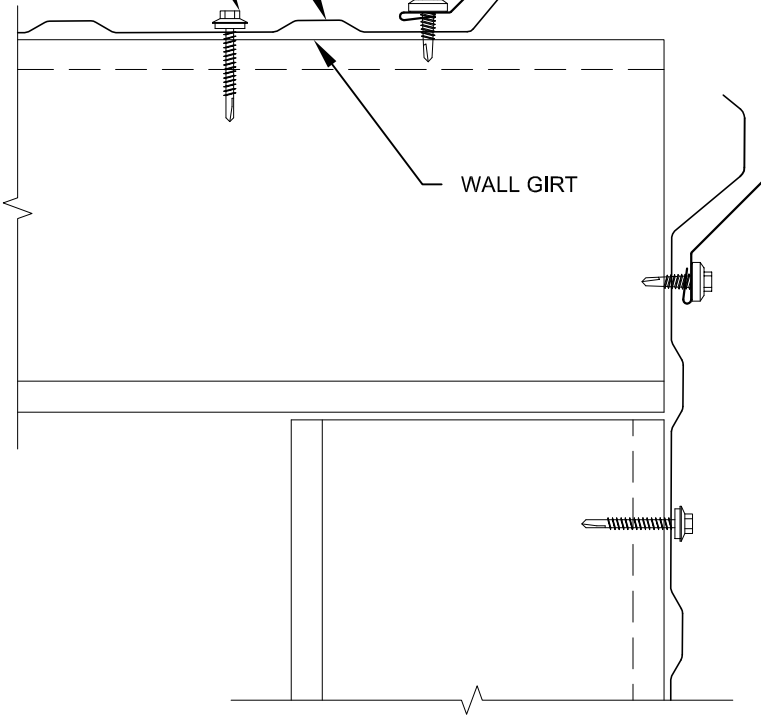
Location:

**RP01 - OUTSIDE CORNER TRIM**

$\frac{1}{4}$ "-14 X  $\frac{7}{8}$ " LAP TEK FASTENER  
W/ WASHER AT 24" O.C.

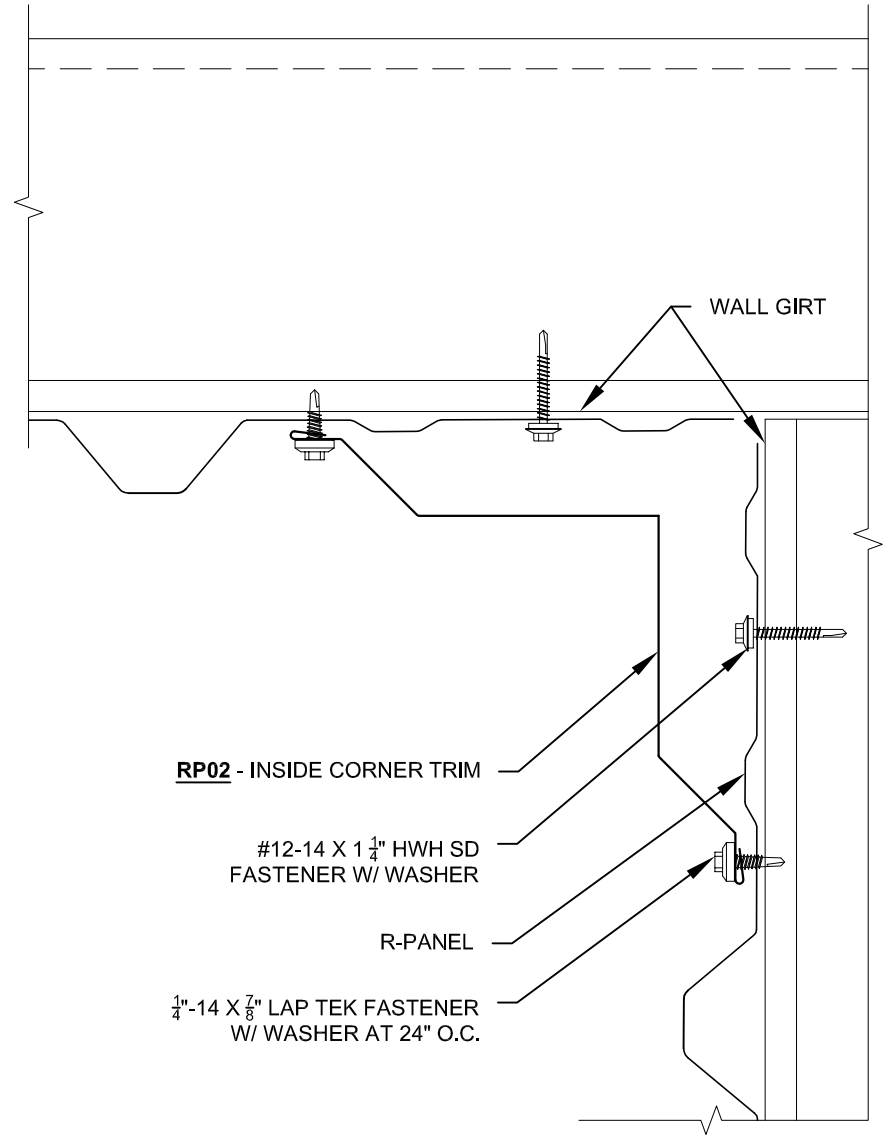
R-PANEL

#12-14 X 1  $\frac{1}{4}$ " HWH SD  
FASTENER W/ WASHER



WALL GIRT

OUTSIDE CORNER DETAIL



WALL GIRT

**RP02 - INSIDE CORNER TRIM**

#12-14 X 1  $\frac{1}{4}$ " HWH SD  
FASTENER W/ WASHER

R-PANEL

$\frac{1}{4}$ "-14 X  $\frac{7}{8}$ " LAP TEK FASTENER  
W/ WASHER AT 24" O.C.

INSIDE CORNER DETAIL



Description:

**OUTSIDE & INSIDE CORNER TRIM**

Detail No.:

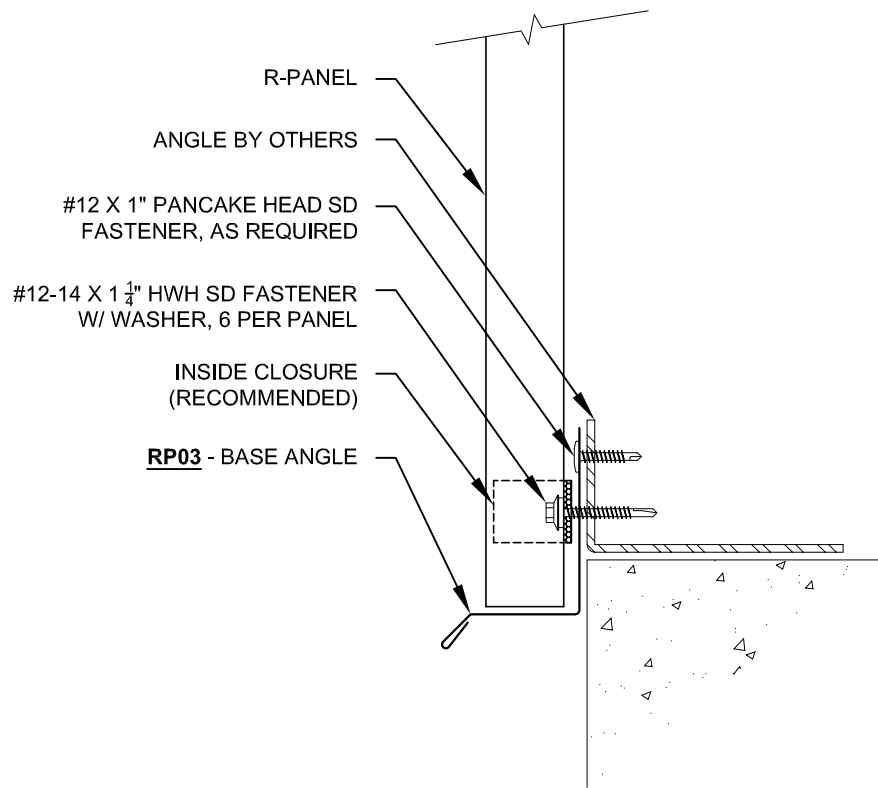
**RPANEL-OF-1.0**

Substrate:

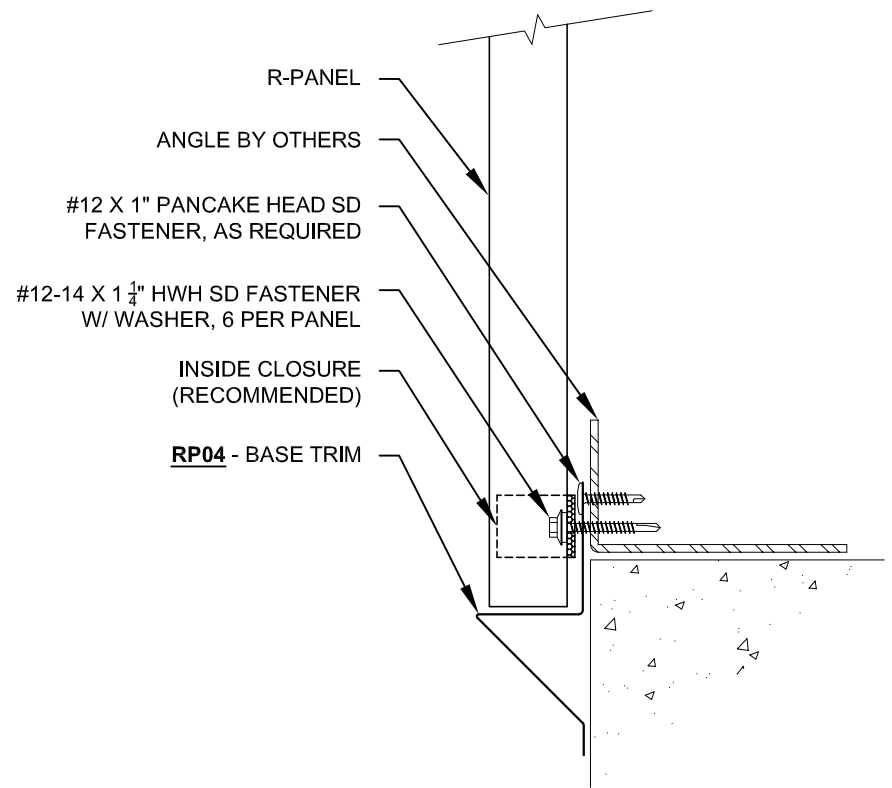
**OPEN FRAMING**

Project Name:

Location:



BASE ANGLE



OPTIONAL BASE TRIM



Description:

**BASE TRIM**

Detail No.:

**RPANEL-OF-2.0**

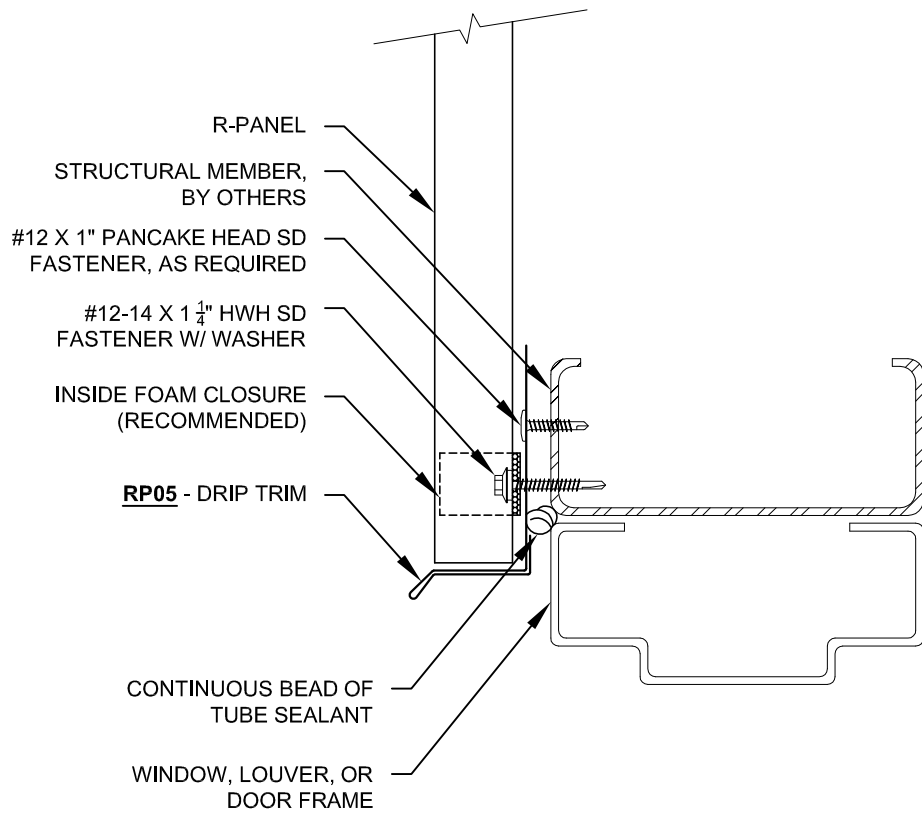
Substrate:

**OPEN FRAMING**

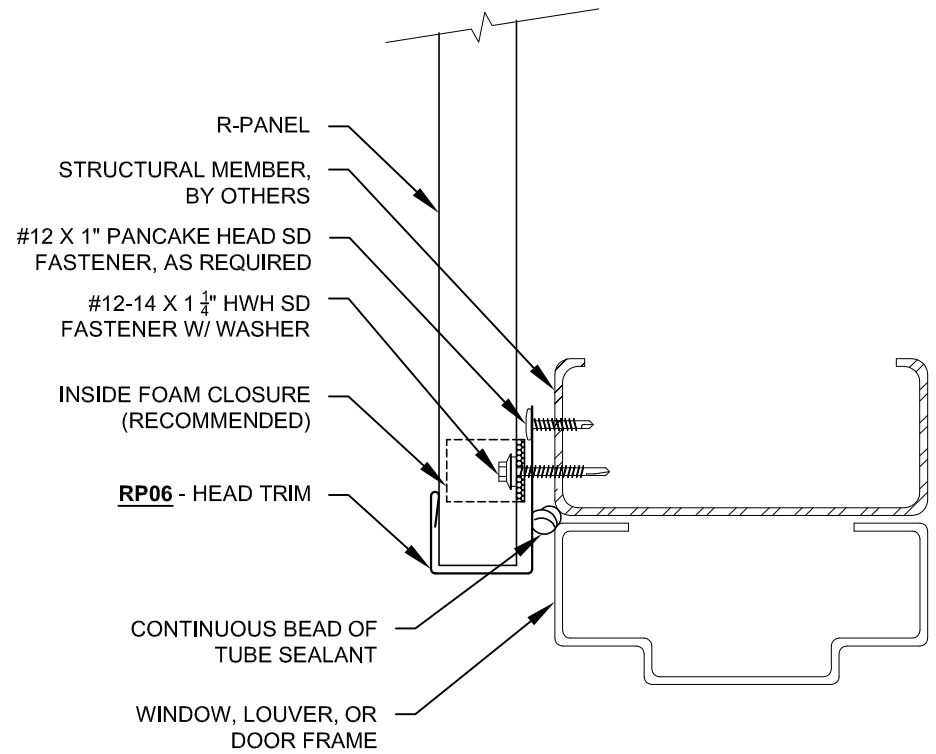
Project Name:

Location:





HEADER DETAIL



OPTIONAL HEADER DETAIL



Description:

# HEADER TRIM

Detail No.:

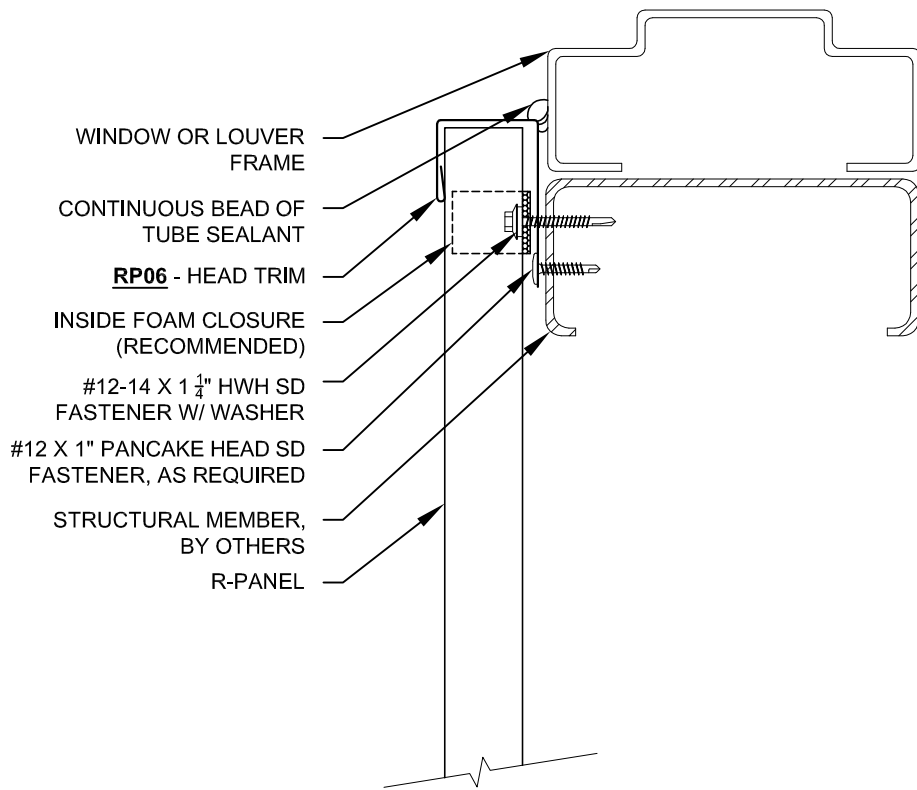
**RPANEL-OF-3.0**

Substrate:

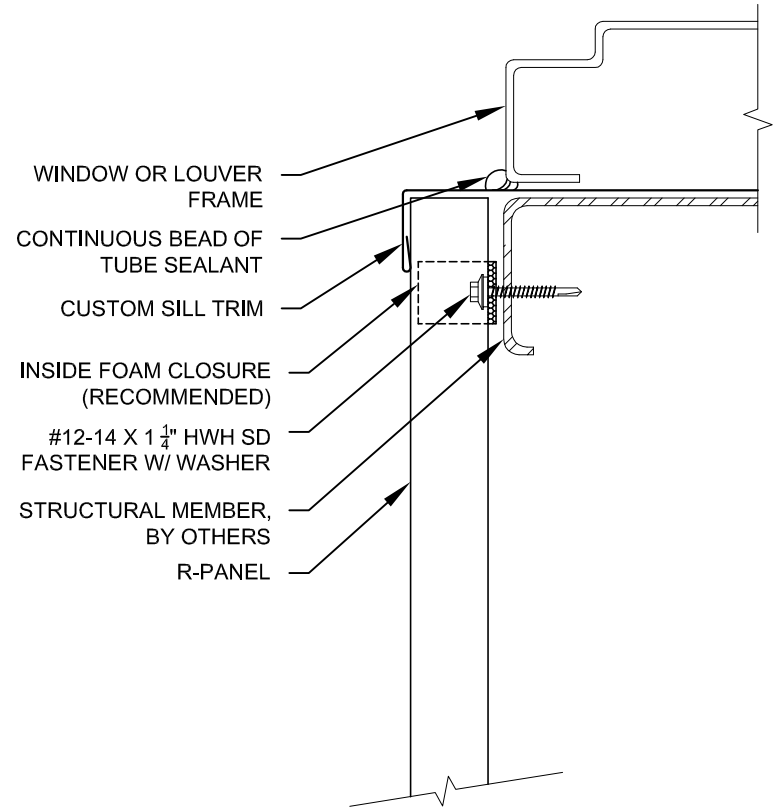
**OPEN FRAMING**

Project Name:

Location:



SILL DETAIL



OPTIONAL SILL DETAIL



Description:

# SILL TRIM

Detail No.:

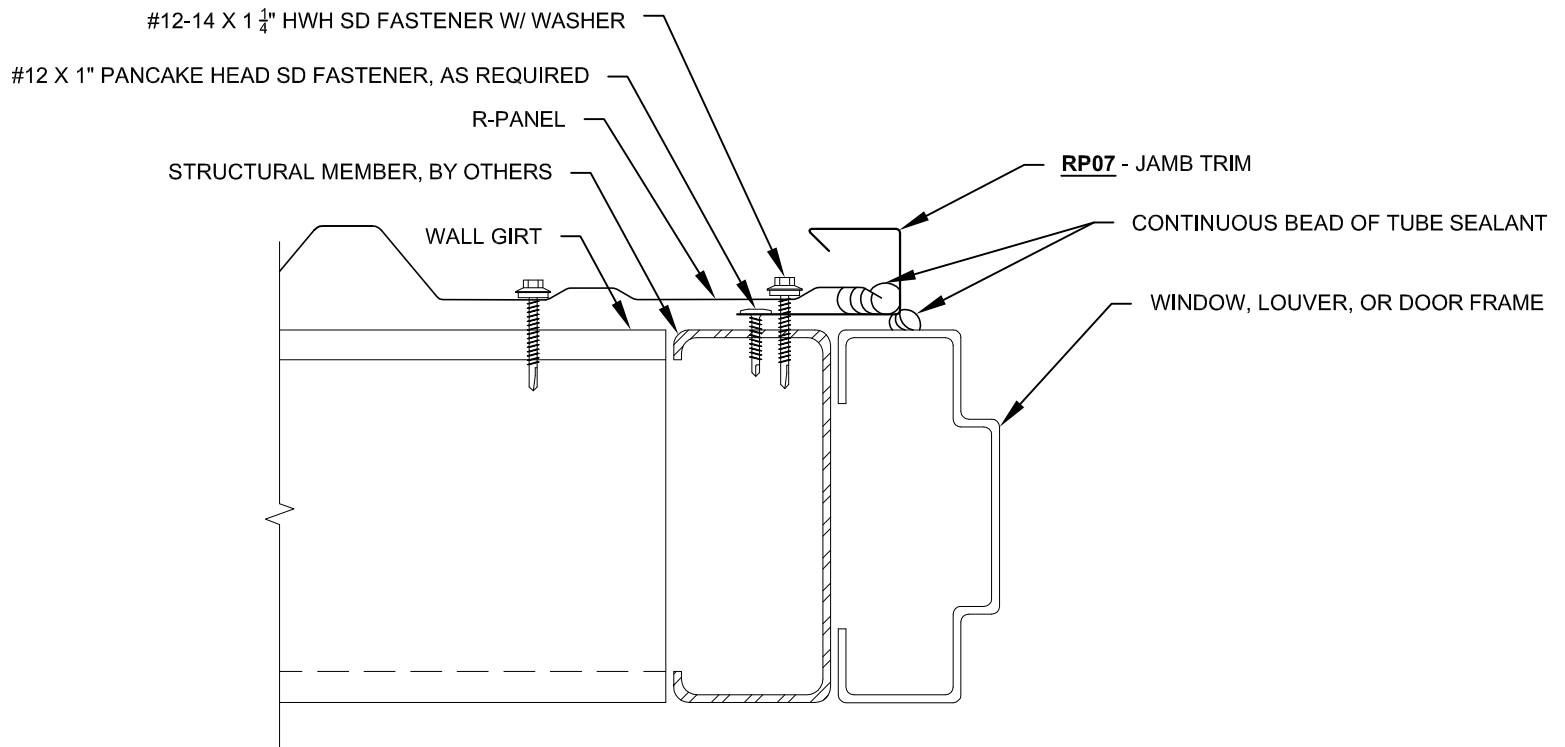
RPANEL-OF-4.0

Substrate:

OPEN FRAMING

Project Name:

Location:



Description:

## JAMB TRIM

Detail No.:

RPANEL-OF-5.0

Substrate:

OPEN FRAMING

Project Name:

Location: