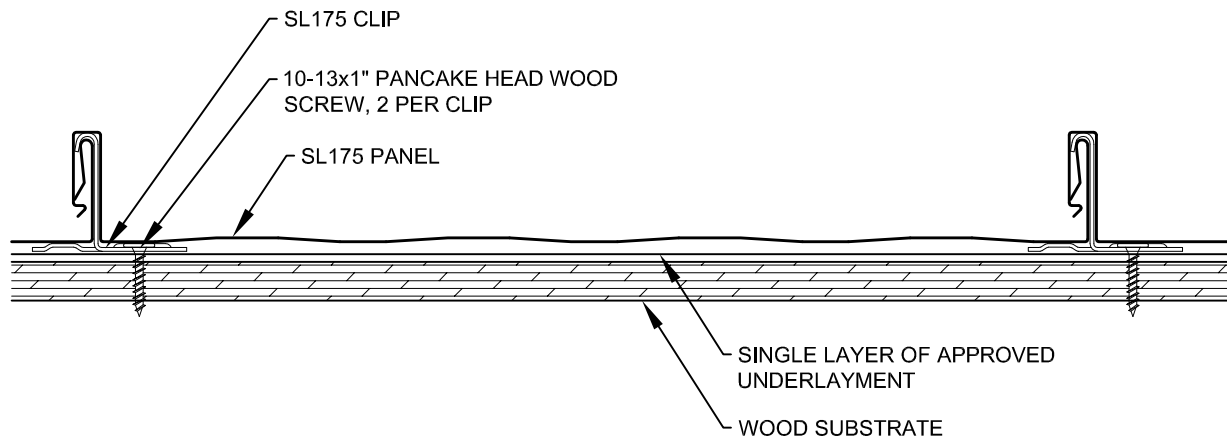




# SL175 Standing Seam Wood Substrate Master Details

## Architectural / Solid Substrate / Steep Slope

The following details are commonly used over steep sloped applications including those over solid substrates such as plywood or steel decking with rigid insulation. Such details are largely based on hydrokinetic (water shedding) design principles and architectural detailing.



FAYETTEVILLE, NC  
888-685-7663

SPENCER, NC  
800-526-8156

ANDERSON, SC  
800-544-5169

TIFTON, GA  
800-962-9131

ORANGE, VA  
800-762-6785

OCALA, FL  
800-331-3584

VICKSBURG, MS  
888-661-0577

TIPP CITY, OH  
877-615-9812

OKLAHOMA CITY, OK  
866-373-5286

SCRANTON, PA  
866-695-6455



# SL175 Standing Seam -Wood Substrate-

# Index

<b><u>Panel Information</u></b>	<b><u>Detail No.</u></b>
Panel Application .....	0.10
System Overview - Panel Profiles.....	0.20
System Overview - Clips .....	0.21
Thermal Gap Installation Chart - Steel.....	0.30
Thermal Gap Installation Chart - Aluminum.....	0.31

<b><u>Eave Details</u></b>	<b><u>Detail No.</u></b>
Extended Eave .....	1.10
Extended Eave - Steep Slope .....	1.10A
Extended Eave with Gutter .....	1.20
Extended Eave with Gutter - Steep Slope .....	1.20A
Extended Eave with Soffit .....	1.30
Extended Eave with Soffit & Gutter .....	1.40
Extended Eave with Vertical Flush Panel .....	1.50
Extended Eave with Vertical Standing Seam Panel .....	1.60
Extended Eave Lap Detail .....	1.90

<b><u>Gable Details</u></b>	<b><u>Detail No.</u></b>
Gable - Extended Drip .....	2.10
Gable - Box .....	2.20
Gable - Box with Zee Closure .....	2.30
Box Gable Lap Detail .....	2.90

<b><u>Valley Details</u></b>	<b><u>Detail No.</u></b>
Valley - Integral Cleat .....	3.10
Valley - Offset Cleat .....	3.20
Valley Lap Detail .....	3.90

<b><u>Ridge &amp; Hip Details</u></b>	<b><u>Detail No.</u></b>
Standard Ridge & Hip .....	4.10
Vented Ridge .....	4.20
Vented Ridge-to-Standard Ridge Transition .....	4.30
Ridge Termination at Valley .....	4.40
Ridge & Hip Lap Detail .....	4.90
Ridge Cap Expansion Detail .....	4.91

<b><u>Peak Details</u></b>	<b><u>Detail No.</u></b>
Peak Detail .....	5.10
Vented Peak Detail .....	5.20
Peak Detail with Vertical Flush Panel .....	5.40

(Continued...)



# SL175 Standing Seam -Wood Substrate-

# Index

## **High Wall & Low Wall Details** **Detail No.**

High Wall - Reglet .....	6.10
Vented High Wall - Reglet .....	6.11
High Wall - Surface Mount .....	6.12
High Wall - Vertical Panel with Sill .....	6.14
High Wall - Parapet .....	6.20
Valley Wall Detail .....	6.30
High Wall Lap Detail .....	6.90

## **Sidewall Details** **Detail No.**

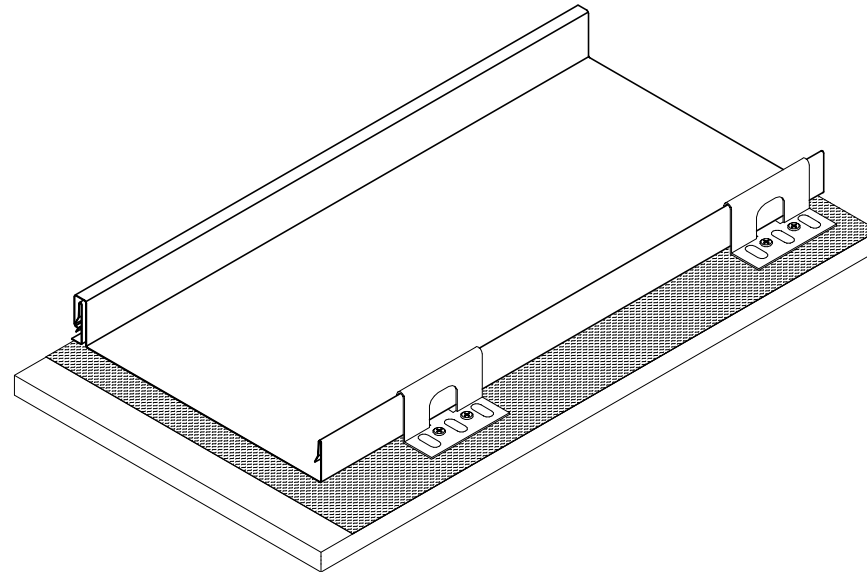
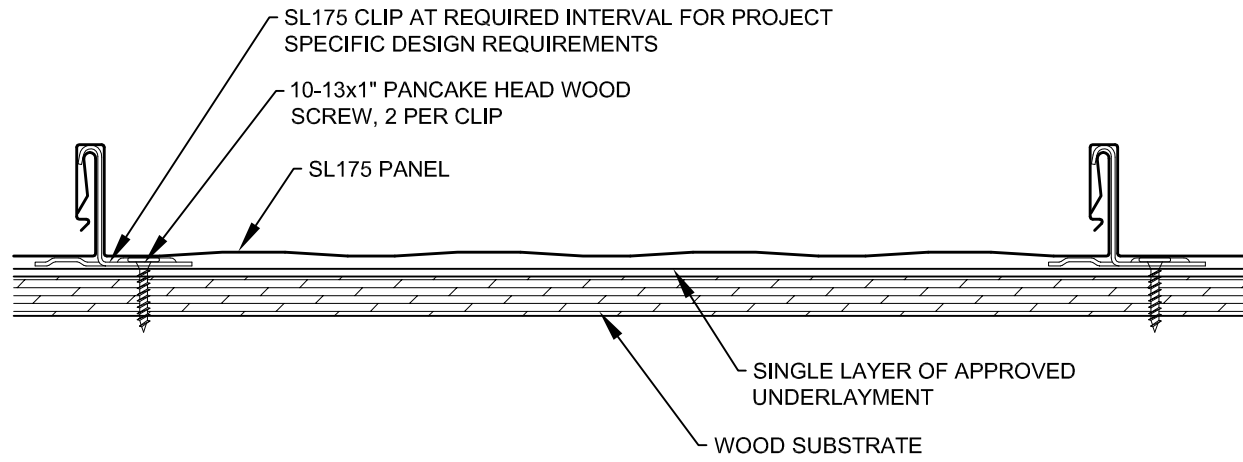
Sidewall - Reglet with Subflashing Angle .....	7.11
Sidewall - Surface Mount with Subflashing Angle .....	7.12
Sidewall - Wood Framing & Siding with Subflashing Angle .....	7.13
Sidewall - Reglet with J-Channel Subflashing .....	7.21
Sidewall - Surface Mount with J-Channel Subflashing .....	7.22
Sidewall - Wood Framing & Siding with J-Channel Subflashing .....	7.23
Sidewall - Reglet with Zee Closure .....	7.31
Sidewall - Surface Mount with Zee Closure .....	7.32
Sidewall - Wood Framing & Siding with Zee Closure .....	7.33
Sidewall Expansion Joint .....	7.40
Expansion Joint Mid-Roof.....	7.50
Sidewall Lap Detail .....	7.90

## **Slope Transition Details** **Detail No.**

Slope Transition .....	8.10
Transition at Membrane Roofing .....	8.20

## **General Information Details** **Detail No.**

Panel Hemming .....	10.10
End Lap Detail - Steep Slope .....	10.15
Zee Closure Installation .....	10.20
Pipe Penetration .....	10.30
Pipe Penetration Through Panel Rib .....	10.31
Curb at High Wall & Low Wall .....	10.40
Curb at Sidewall .....	10.41
Curb Installation Detail .....	CRB 1-6



Description:

## SL175 APPLICATION

Detail No.:

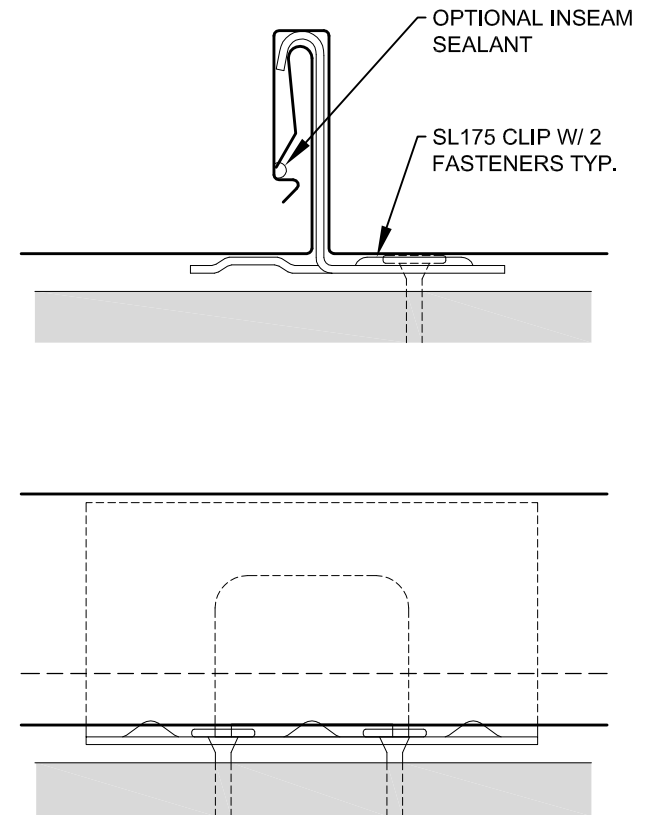
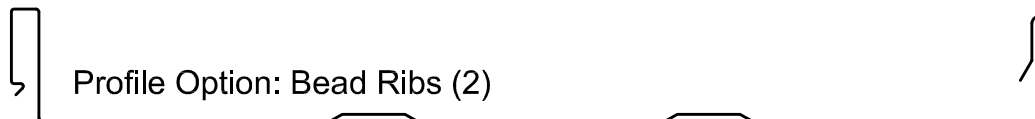
SL175-WS-0.10

Substrate:

WOOD SUBSTRATE

Project Name:

Location:



Description: **SL175 SYSTEM OVERVIEW - PANEL PROFILES**

Detail No.: **SL175-0.20**

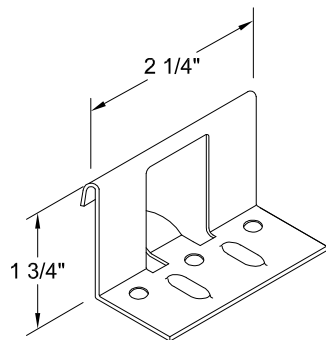
Substrate:

Project Name:

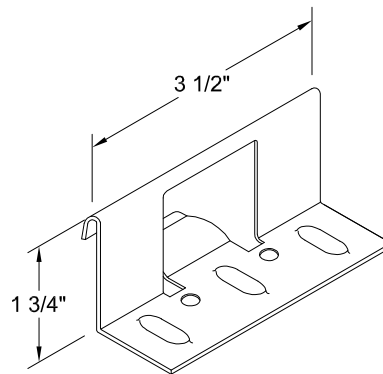
Location:

**IMPORTANT INSTALLATION NOTE**

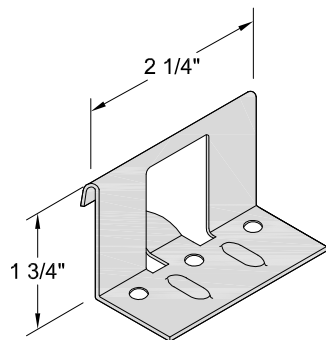
- SL175 CLIPS ALLOW FOR UNLIMITED THERMAL EXPANSION/CONTRACTION OF PANELS.
- "UL" CLIP TYPES MAY BE REQUIRED TO MEET SPECIFIC WIND UPLIFT TESTING.



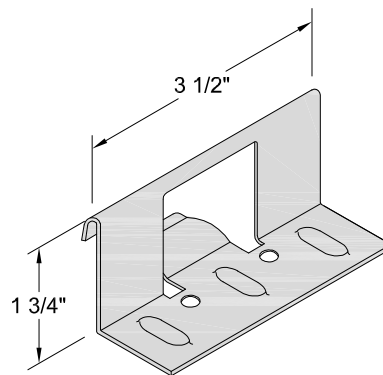
**Clip 20**  
18 Ga. Galvanized  
1.875" x 2.25"



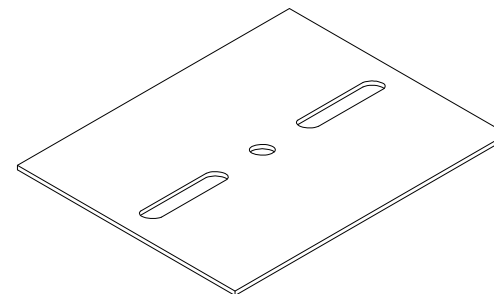
**Clip 21 UL**  
18 Ga. Galvanized  
1.875" x 3.5"



**Clip 22**  
18 Ga. Stainless Steel  
1.875" x 2.25"  
*Recommended for use with aluminum panels*



**Clip 23 UL**  
18 Ga. Stainless Steel  
1.875" x 3.5"  
*Recommended for use with aluminum panels*



**4" x 5" Bearing Plate**  
16 Ga. Galvanized  
*Required for use when clips are applied directly over rigid board insulation*



Description:

**SL175 SYSTEM OVERVIEW - CLIPS**

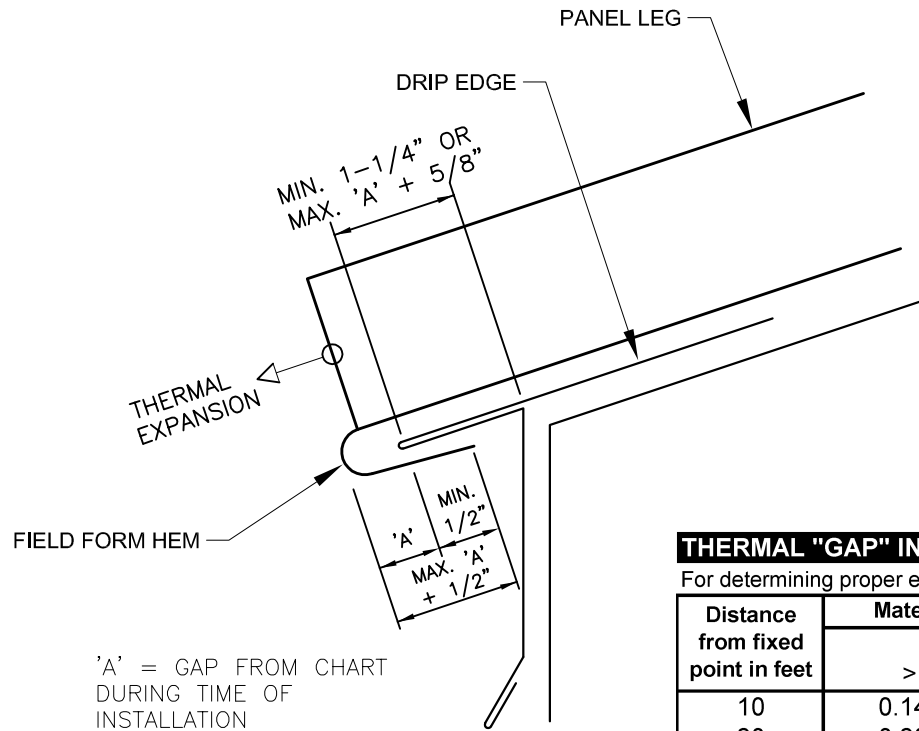
Detail No.:

SL175-0.21

Substrate:

Project Name:

Location:



'A' = GAP FROM CHART DURING TIME OF INSTALLATION

**THERMAL "GAP" INSTALLATION CHART (In inches) - STEEL**

For determining proper expansion/contraction gap at panel ends during installation

Distance from fixed point in feet	Material Temperature (Surface Temperature) During Installation					
	Hot >100° F		Warm 100° to 50° F		Cold <50° F	
10	0.145	1/8	0.072	1/16	0.000	0
20	0.289	5/16	0.145	1/8	0.000	0
30	0.434	7/16	0.217	3/16	0.125	1/8
40	0.579	9/16	0.289	5/16	0.125	1/8
50	0.724	3/4	0.362	3/8	0.188	3/16
60	0.868	7/8	0.434	7/16	0.188	3/16
70	1.013	1	0.507	1/2	0.250	1/4
80	1.158	1 3/16	0.579	9/16	0.250	1/4
90	1.302	1 5/16	0.651	5/8	0.375	3/8
100	1.447	1 7/16	0.724	3/4	0.375	3/8

\* Chart based on temperature differential of: 180 degrees F

\* Coefficient of thermal expansion for steel: 0.0000067

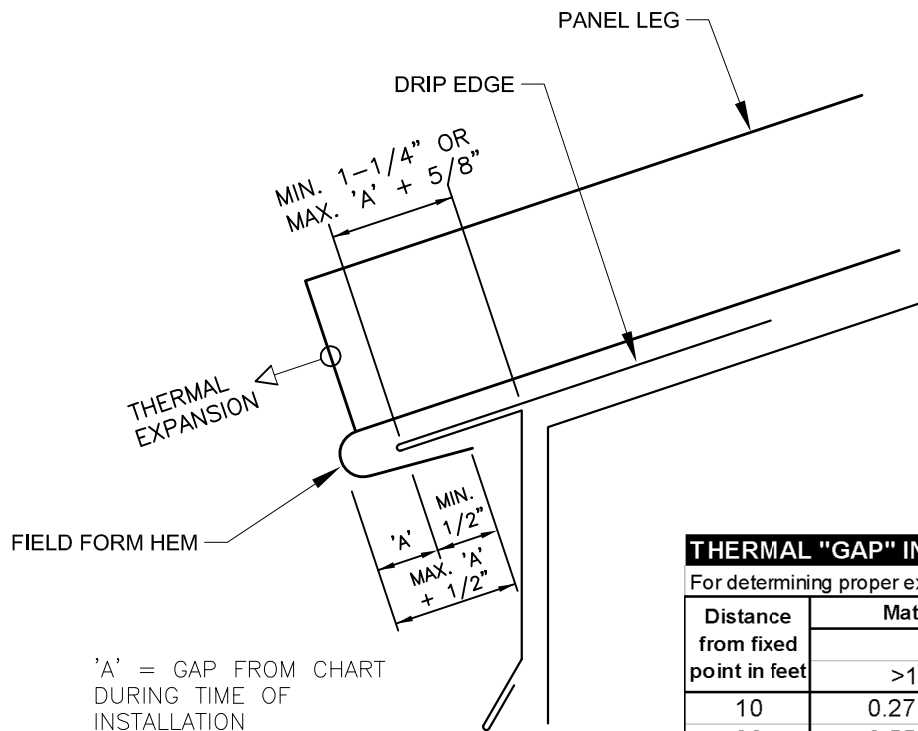


Description: **THERMAL GAP INSTALLATION CHART - STEEL**

Detail No.: **SL175-0.30**

Substrate: \_\_\_\_\_

Project Name: \_\_\_\_\_  
Location: \_\_\_\_\_



### THERMAL "GAP" INSTALLATION CHART (In inches) - ALUMINUM

For determining proper expansion/contraction gap at panel ends during installation

Distance from fixed point in feet	Material Temperature (Surface Temperature) During Installation					
	Hot >100° F		Warm 100° to 50° F		Cold <50° F	
10	0.279	1/4	0.139	1/8	0.000	0
20	0.557	9/16	0.279	1/4	0.000	0
30	0.836	13/16	0.418	7/16	0.125	1/8
40	1.115	1 1/8	0.557	9/16	0.125	1/8
50	1.393	1 3/8	0.697	11/16	0.188	3/16
60	1.672	1 11/16	0.836	13/16	0.188	3/16
70	1.950	1 15/16	0.975	1	0.250	1/4
80	2.229	2 1/4	1.115	1 1/8	0.250	1/4
90	2.508	2 1/2	1.254	1 1/4	0.375	3/8
100	2.786	2 13/16	1.393	1 3/8	0.375	3/8

\* Chart based on temperature differential of: 180 degrees F

\* Coefficient of thermal expansion for alum.: 0.0000129



Description: **THERMAL GAP INSTALLATION CHART - ALUMINUM**

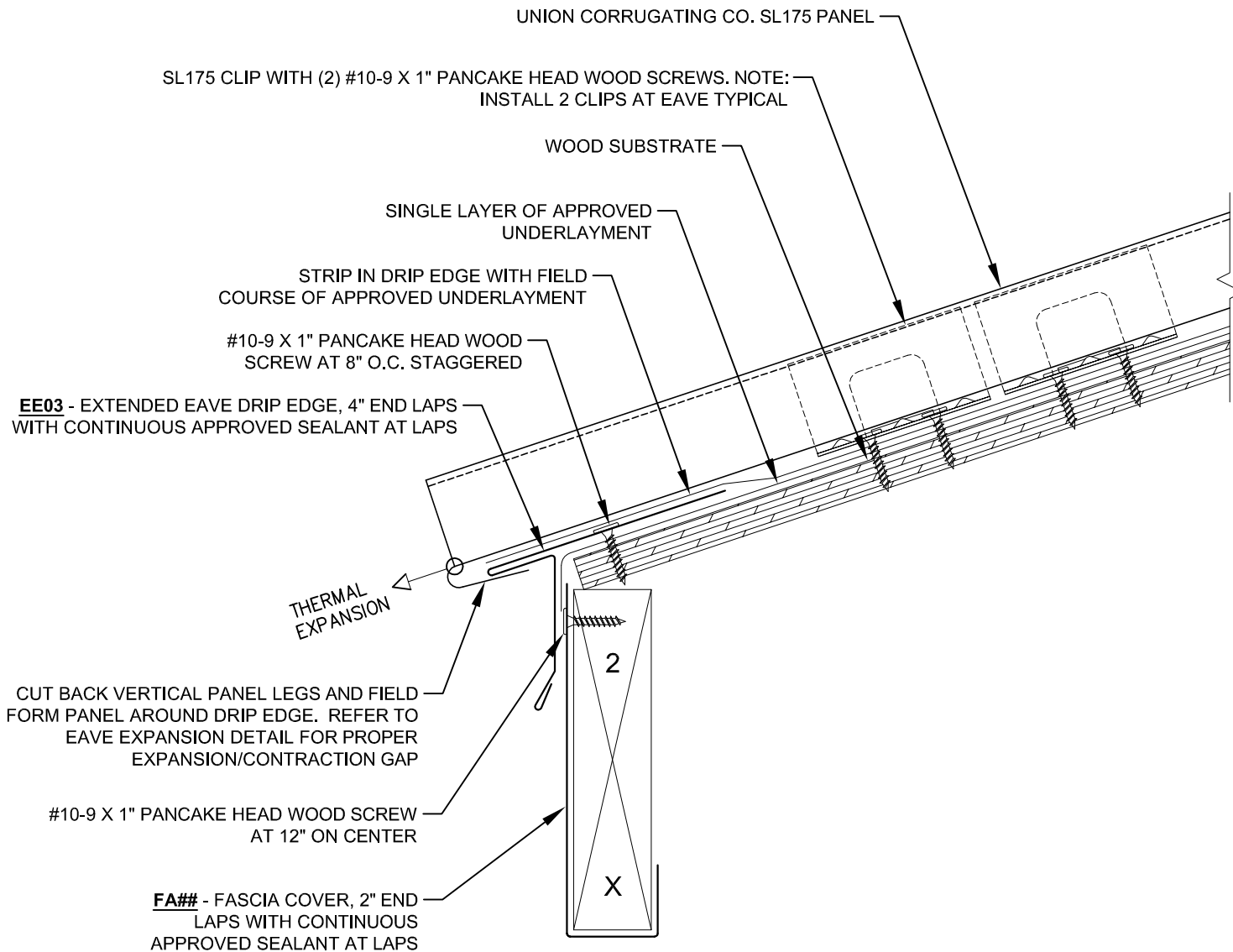
Detail No.: **SL175-0.31**

Substrate:

Project Name:

Location:





Description:

# EXTENDED EAVE

Detail No.:

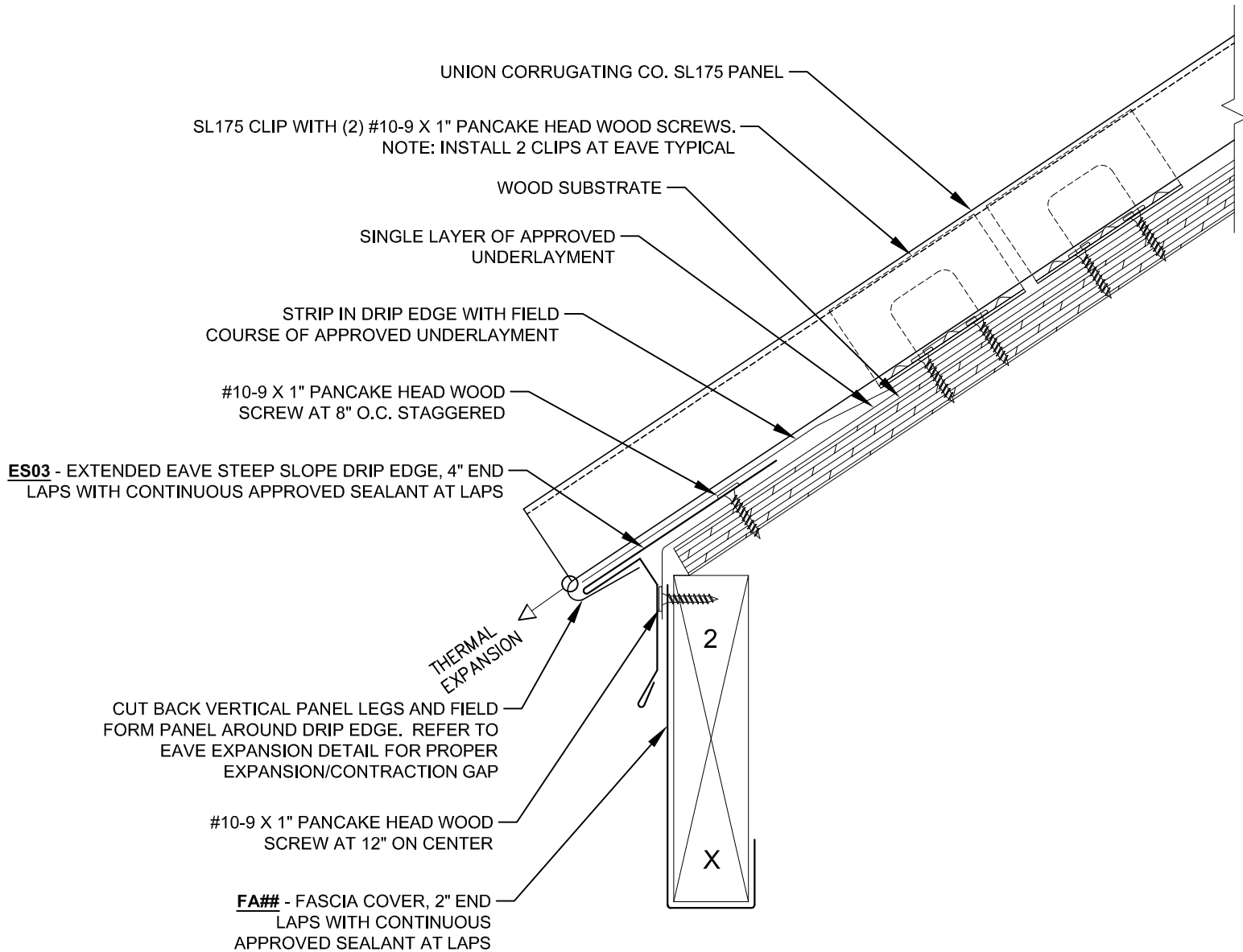
SL175-WS-1.10

Substrate:

WOOD SUBSTRATE

Project Name:

Location:



Description: **EXTENDED EAVE - STEEP SLOPE**

Detail No.: **SL175-WS-1.10A**

Substrate: **WOOD SUBSTRATE**

Project Name:  
Location:

UNION CORRUGATING CO. SL175 PANEL

SL175 CLIP WITH (2) #10-9 X 1" PANCAKE HEAD WOOD SCREWS.  
NOTE: INSTALL 2 CLIPS AT EAVE TYPICAL

WOOD SUBSTRATE

SINGLE LAYER OF APPROVED  
UNDERLAYMENT

STRIP IN DRIP EDGE WITH FIELD  
COURSE OF APPROVED UNDERLAYMENT

#10-9 X 1" PANCAKE HEAD WOOD  
SCREW AT 8" O.C. STAGGERED

**EE02** - EXTENDED EAVE DRIP EDGE, 4" END LAPS WITH  
CONTINUOUS APPROVED SEALANT AT LAPS

CUT BACK VERTICAL PANEL LEGS AND FIELD  
FORM PANEL AROUND DRIP EDGE. REFER TO  
EAVE EXPANSION DETAIL FOR PROPER  
EXPANSION/CONTRACTION GAP

THERMAL  
EXPANSION

18 GA. GALVANIZED STEEL HIDDEN  
HANGER AT 24" ON CENTER

**GT07** - 7" GUTTER, LAP AND SEAL CONTINUOUS  
WITH 2 ROWS OF APPROVED SEALANT. RIVET  
AT LAPS 2" ON CENTER.

**FA##** - FASCIA COVER, 2" END LAPS WITH  
CONTINUOUS APPROVED SEALANT AT LAPS



Description:

# EXTENDED EAVE WITH GUTTER

Detail No.:

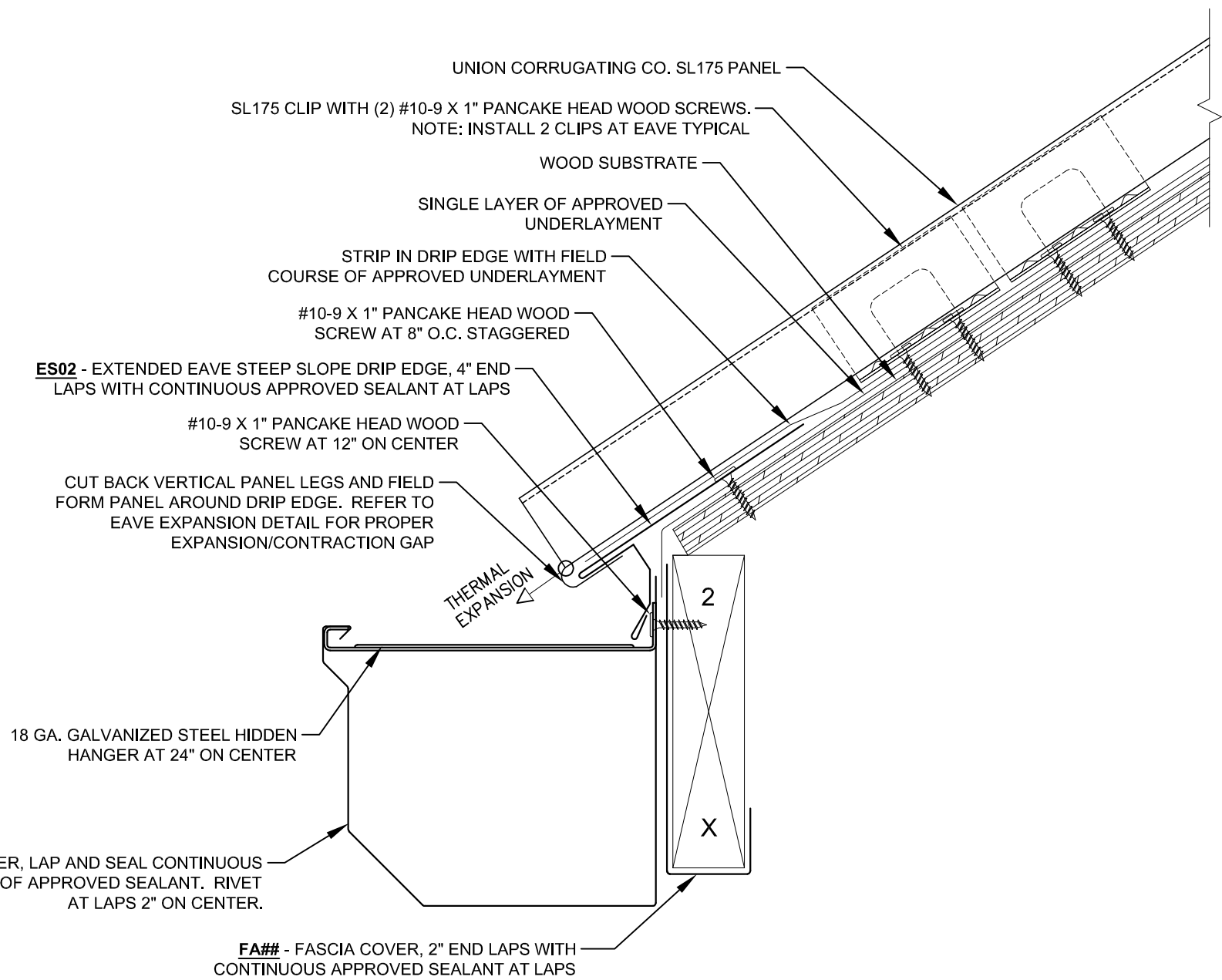
SL175-WS-1.20

Substrate:

WOOD SUBSTRATE

Project Name:

Location:



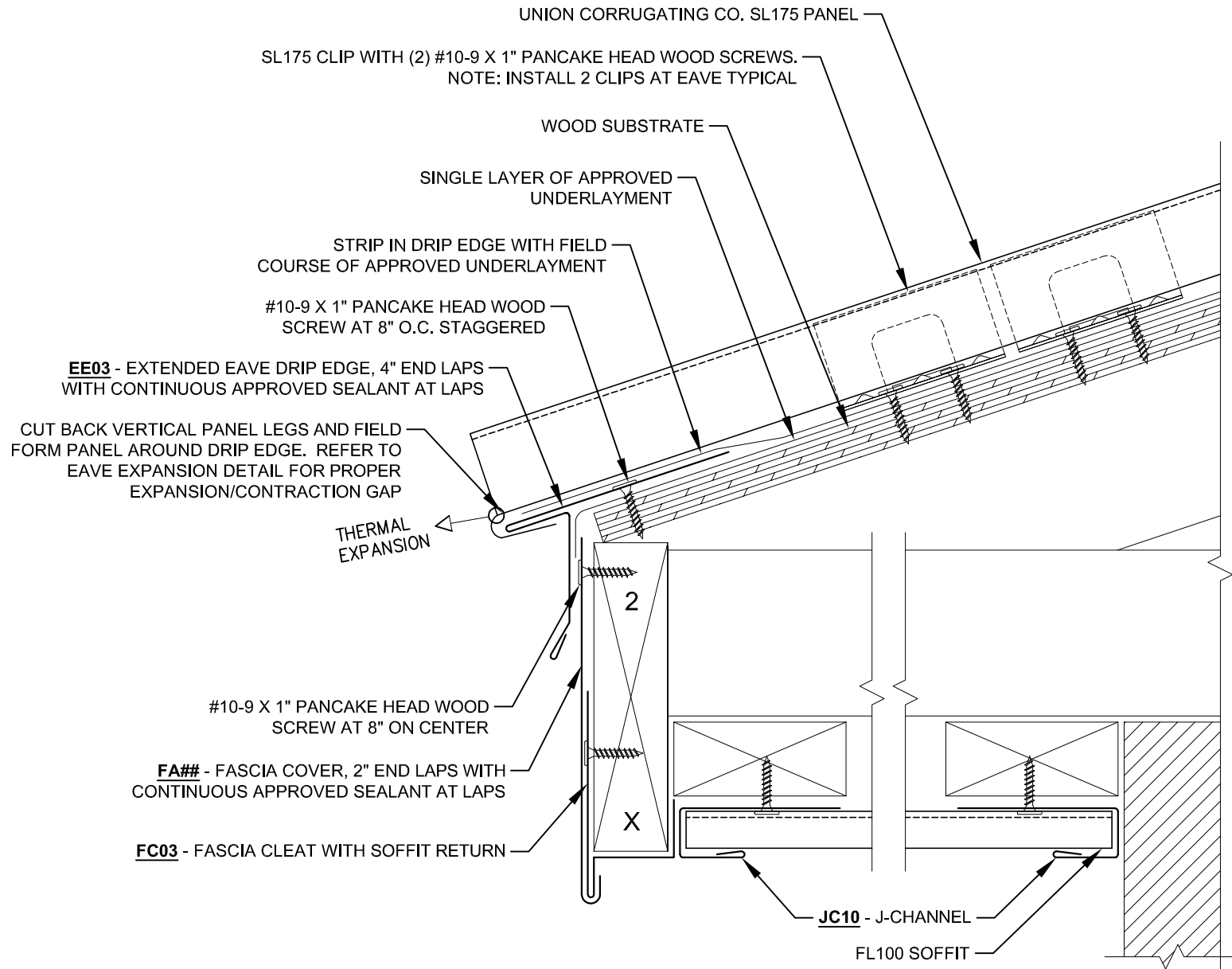
Description: **EXTENDED EAVE W/ GUTTER- STEEP SLOPE**

Substrate: **WOOD SUBSTRATE**

Detail No.: **SL175-WS-1.20A**

Project Name:

Location:



Description:

# EXTENDED EAVE WITH SOFFIT

Detail No.:

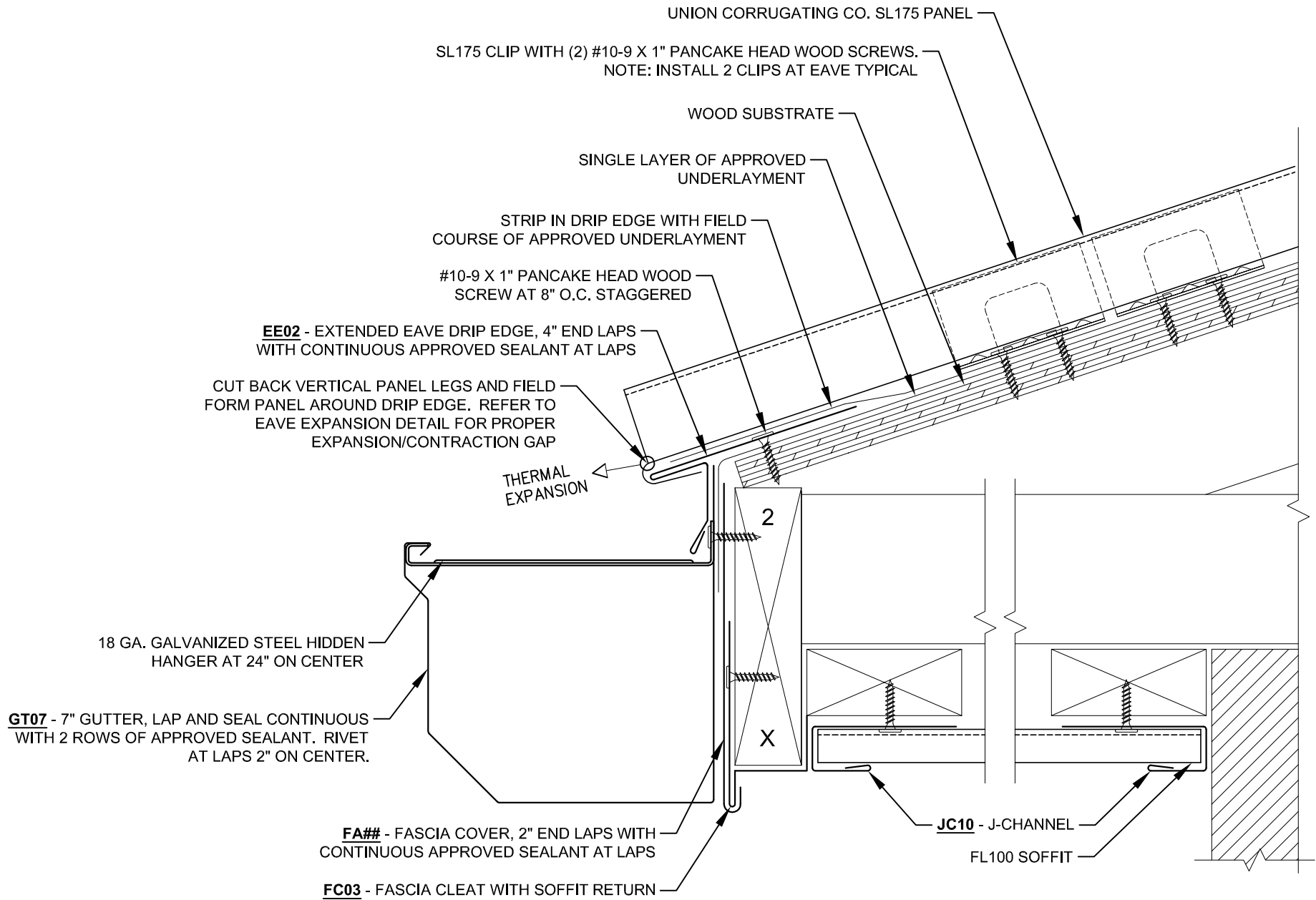
SL175-WS-1.30

Substrate:

WOOD SUBSTRATE

Project Name:

Location:



Description:

# EXTENDED EAVE WITH SOFFIT & GUTTER

Detail No.:

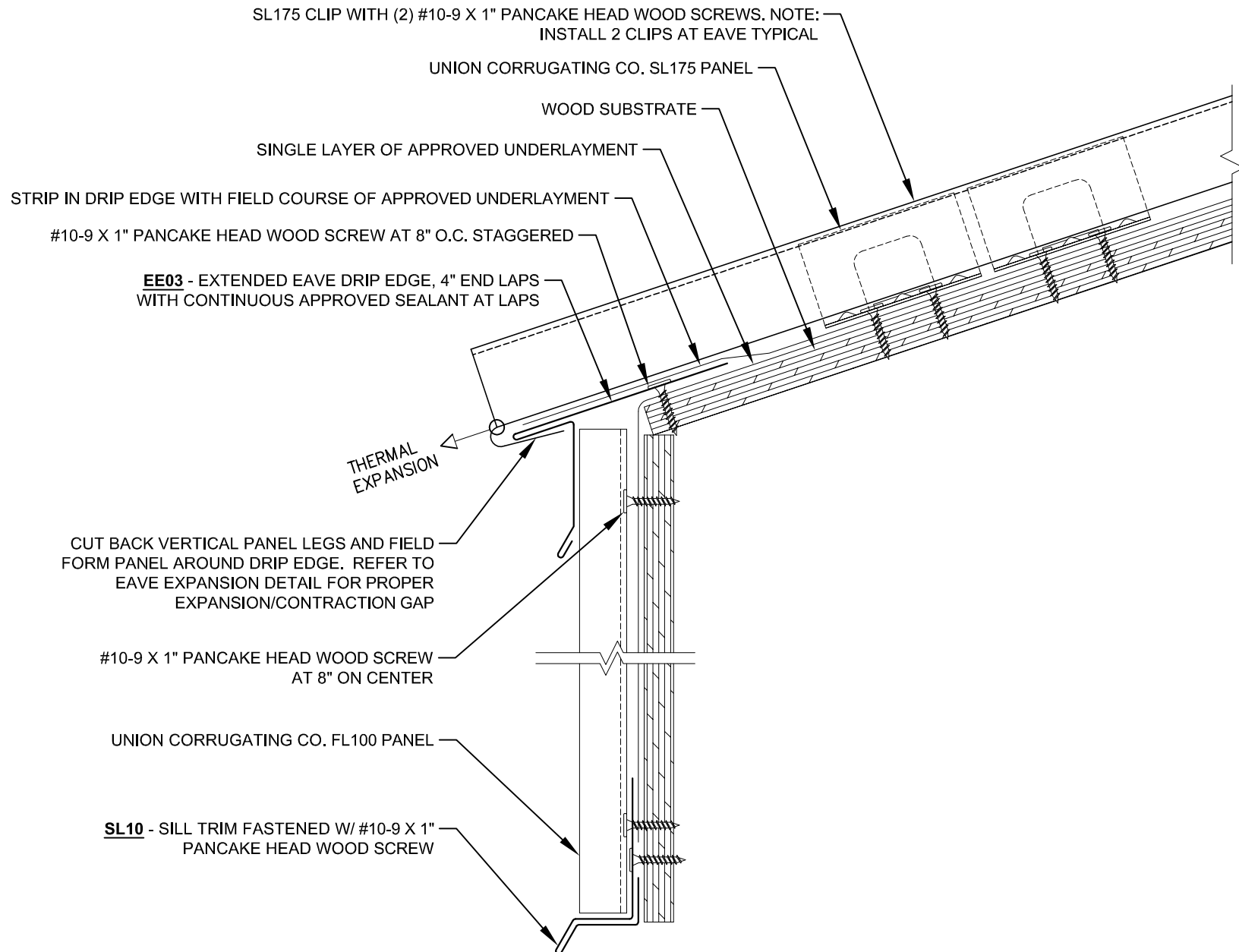
SL175-WS-1.40

Substrate:

WOOD SUBSTRATE

Project Name:

Location:

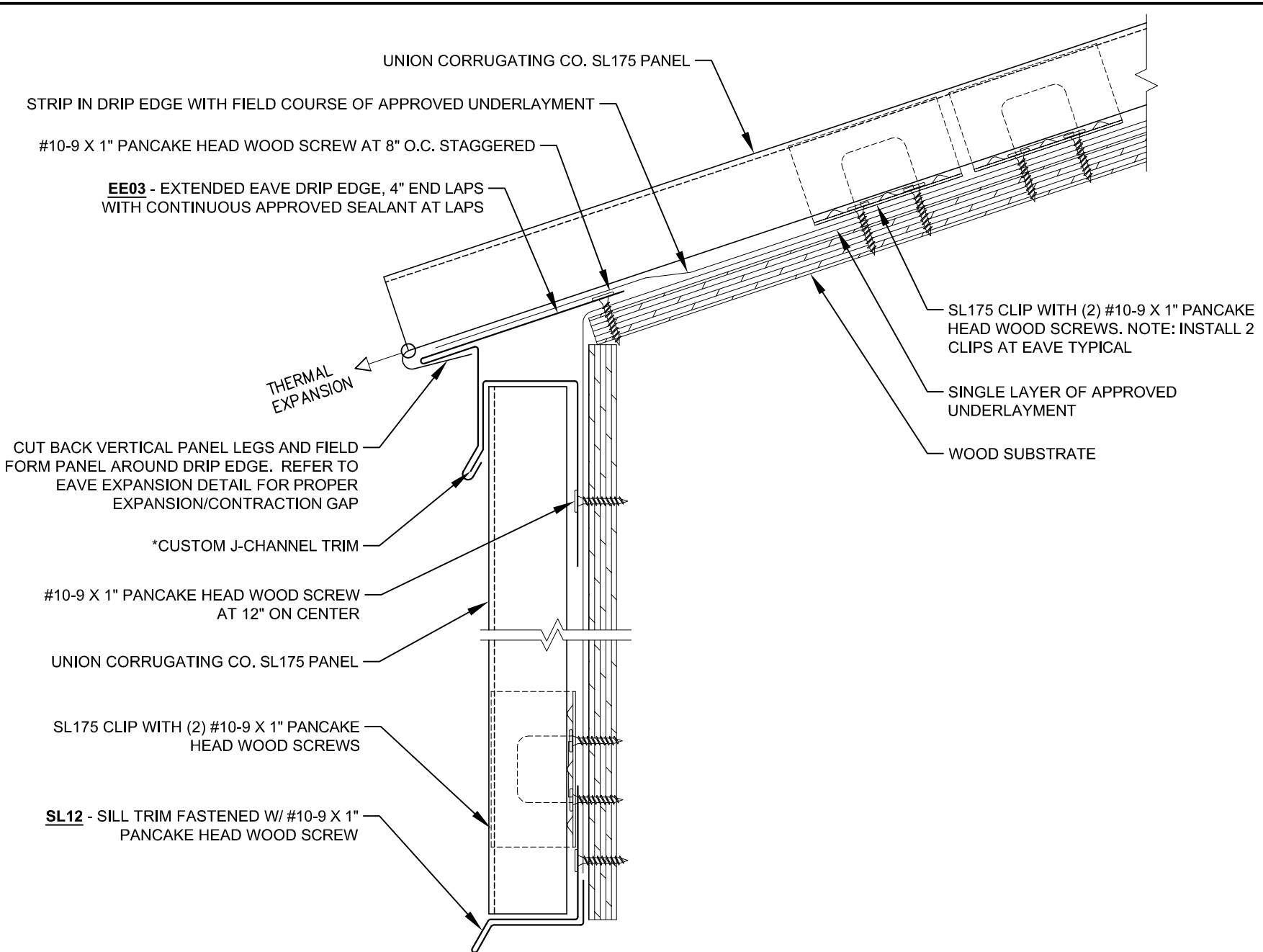


Description: **EXTENDED EAVE W/ VERTICAL FLUSH PANEL**

Detail No.: **SL175-WS-1.50**

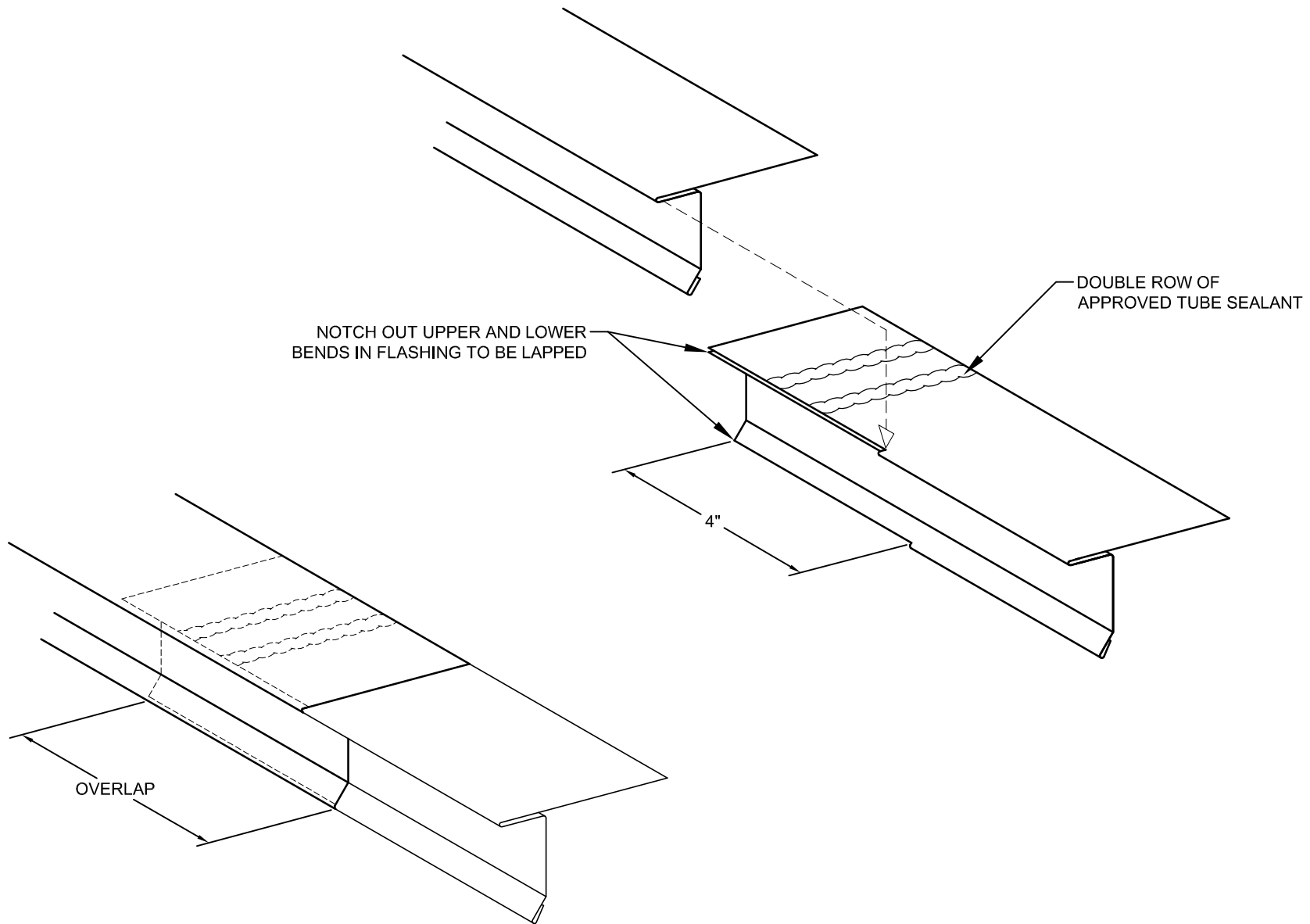
Substrate: **WOOD SUBSTRATE**

Project Name:  
Location:



Description:	<b>EXT. EAVE W/ VERTICAL STANDING SEAM PANELS</b>		Detail No.: <b>SL175-WS-1.60</b>
	Substrate:	<b>WOOD SUBSTRATE</b>	
	Project Name:		
	Location:		





Description:

## DRIP EDGE LAP DETAIL

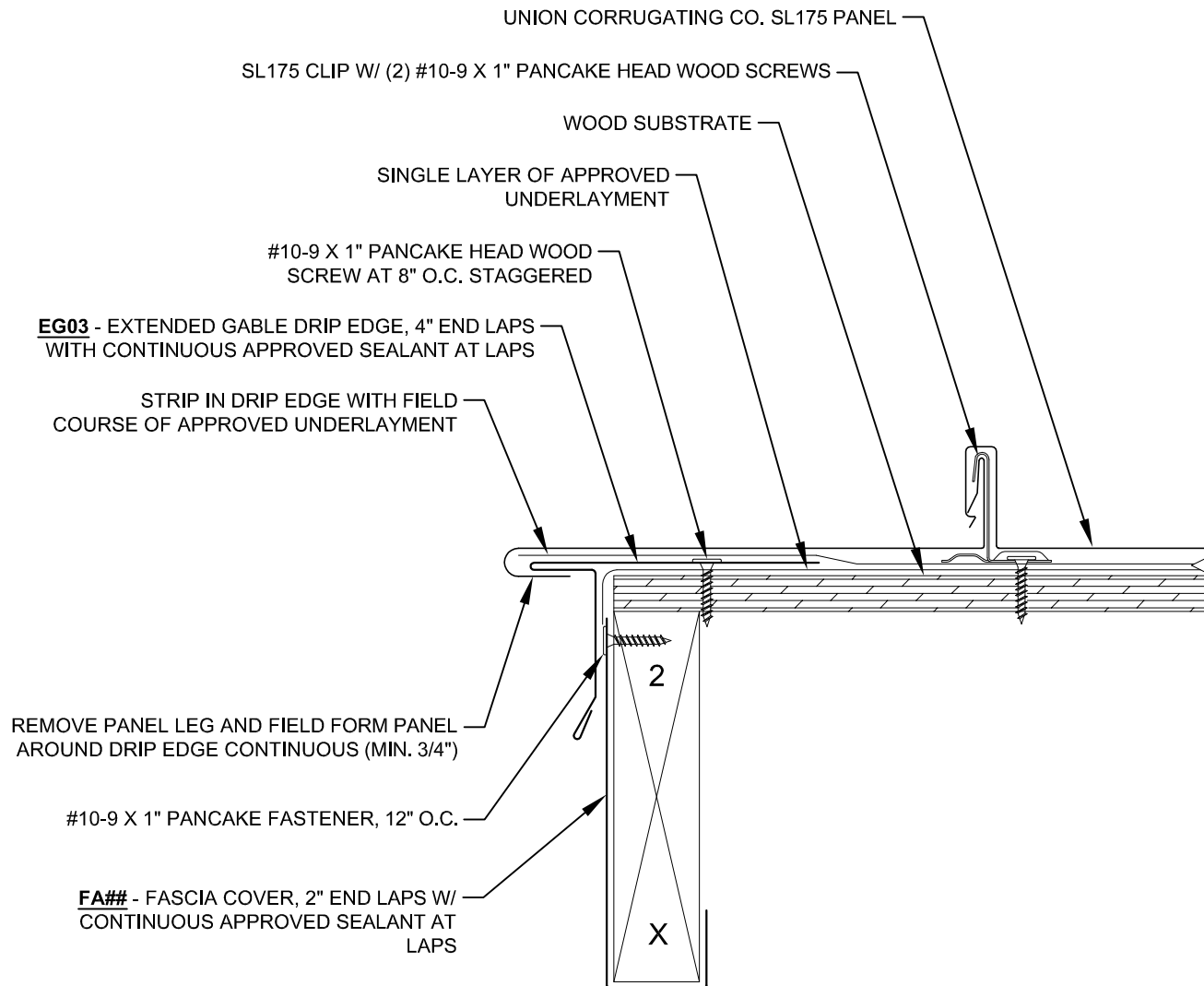
Detail No.:

SL175-1.90

Substrate:

Project Name:

Location:



Description:

**GABLE DETAIL - EXTENDED DRIP STYLE**

Detail No.:

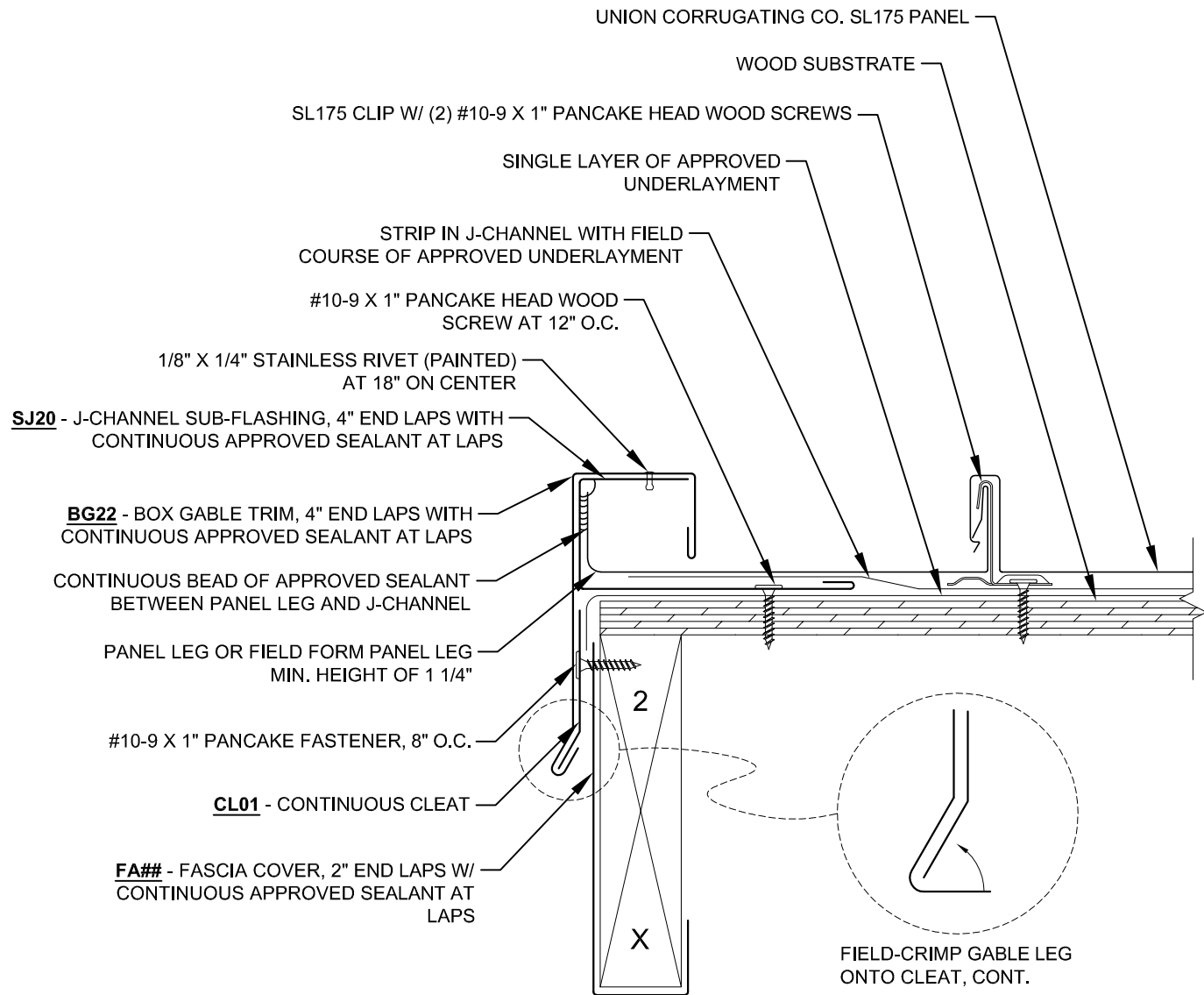
**SL175-WS-2.10**

Substrate:

**WOOD SUBSTRATE**

Project Name:

Location:



Description:

# GABLE DETAIL - BOX STYLE

Detail No.:

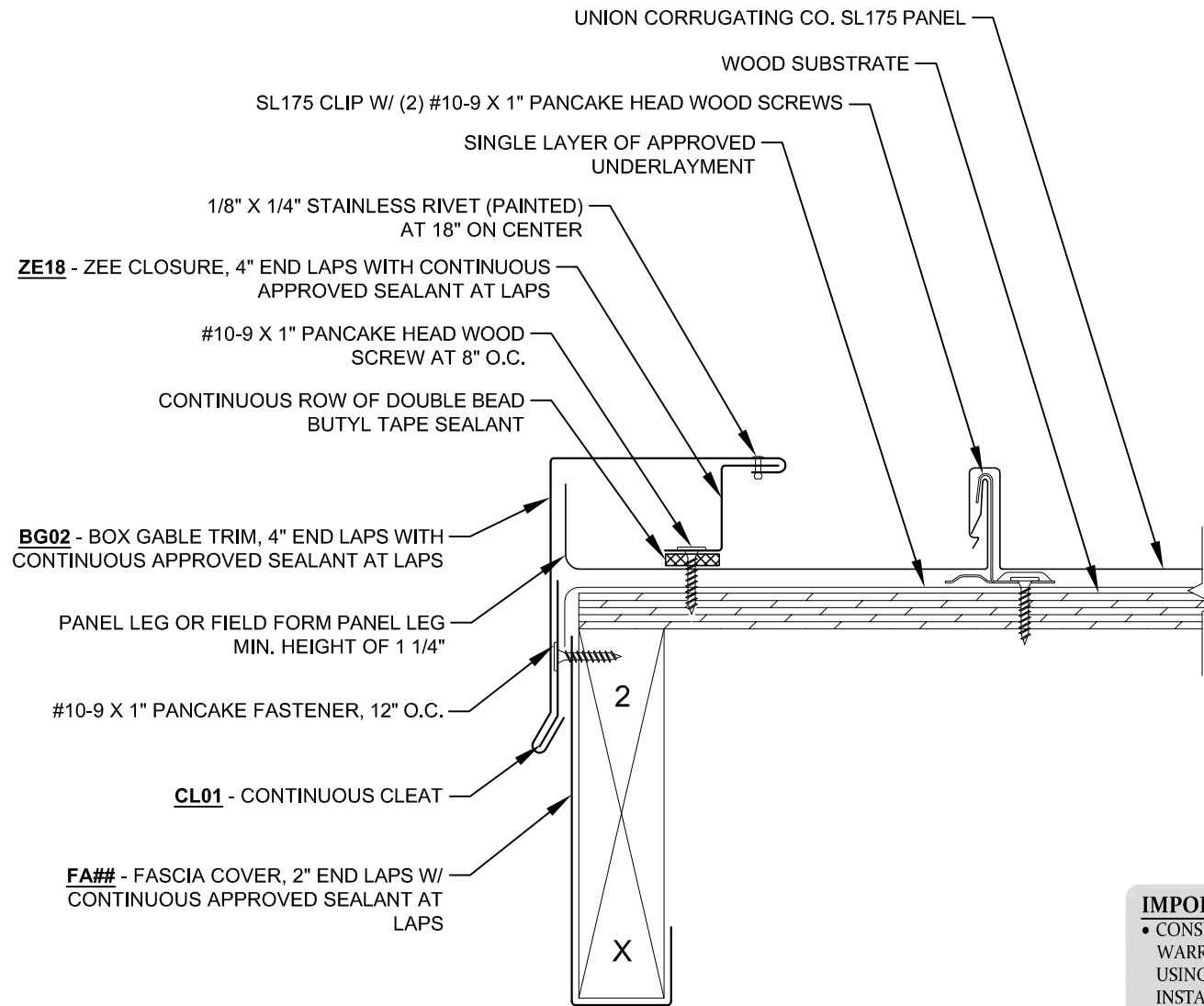
SL175-WS-2.20

Substrate:

WOOD SUBSTRATE

Project Name:

Location:



**IMPORTANT INSTALLATION NOTE**

- CONSULT UNION CORRUGATING CO. WARRANTY DEPARTMENT BEFORE USING THIS DETAIL WHEN INSTALLATION REQUIRES WEATHERTIGHTNESS WARRANTY.
- THIS DETAIL NOT TO BE USED WITH PANEL LENGTHS GREATER THAN 30'-0".

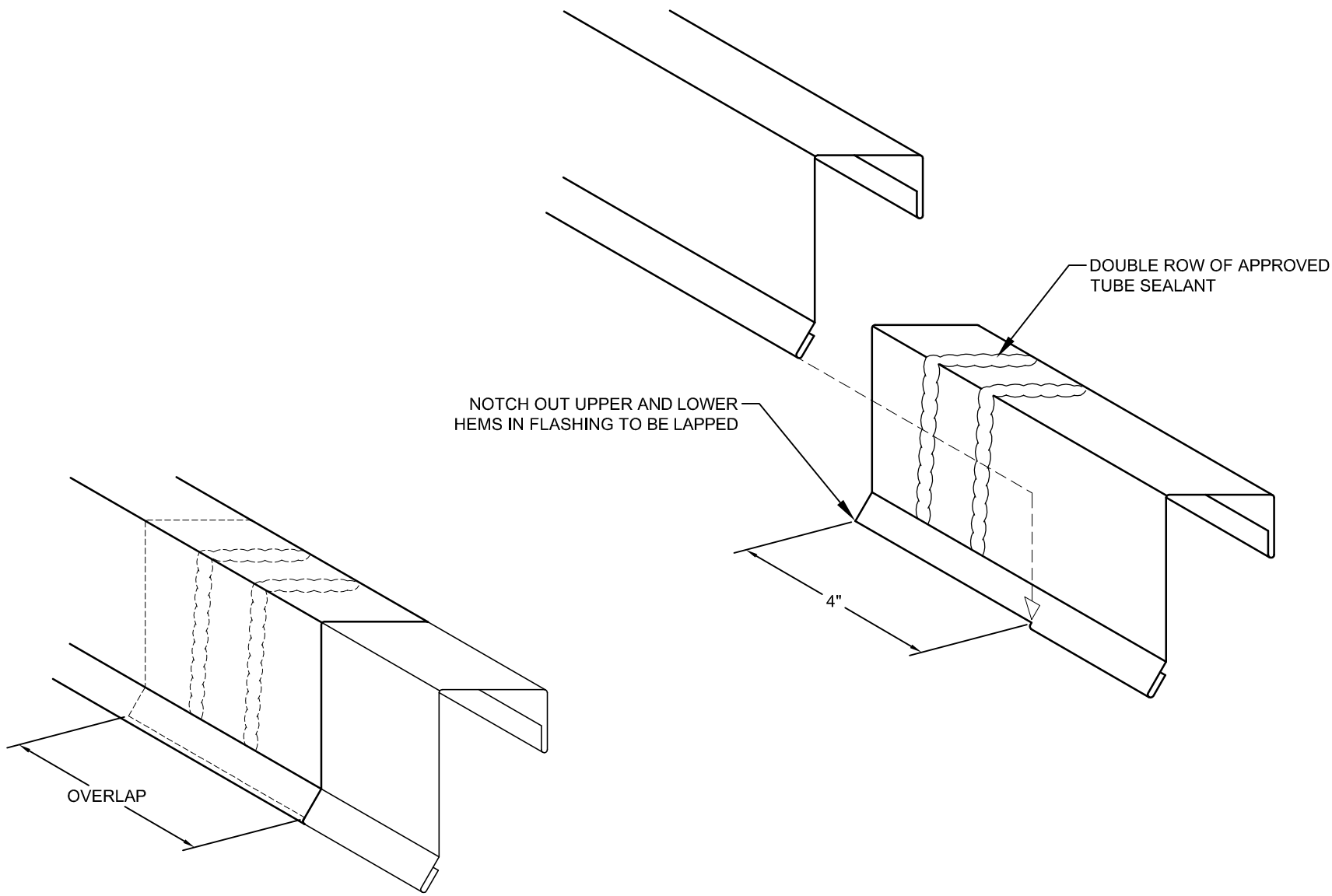


Description: **GABLE DETAIL - BOX STYLE W/ Z-CLOSURE**

Detail No.: **SL175-WS-2.30**

Substrate: **WOOD SUBSTRATE**

Project Name:  
Location:



Description:

# BOX GABLE LAP DETAIL

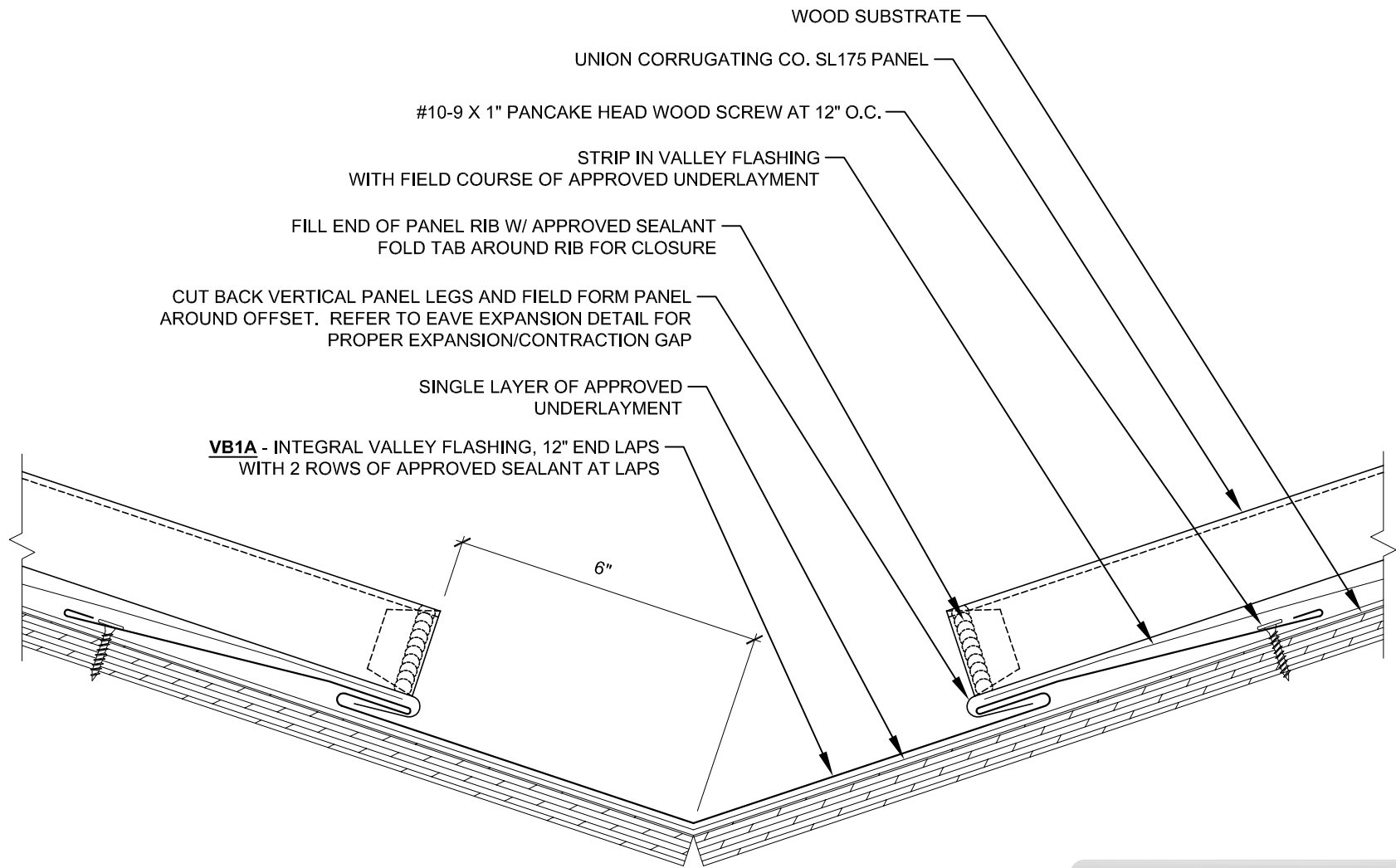
Detail No.:

SL175-2.90

Substrate:

Project Name:

Location:

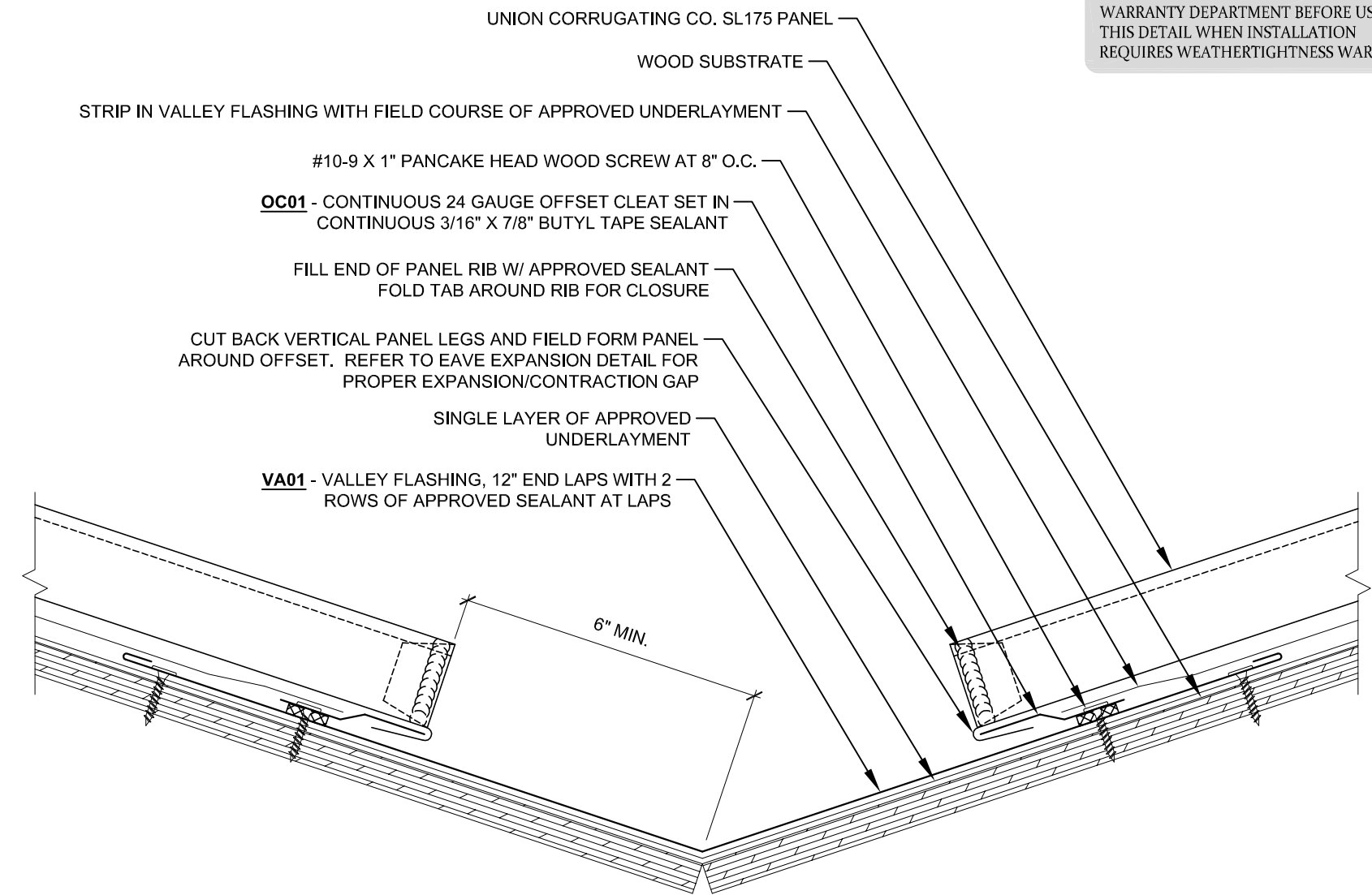


**IMPORTANT INSTALLATION NOTE**  
 EACH VALLEY SECTION IS MADE PROGRESSIVELY SMALLER TO ALLOW UPPER SECTION TO INSERT INTO LOWER SECTION. NO FIELD NOTCHING AT LAP.



Description:	<b>VALLEY DETAIL - INTEGRAL CLEAT</b>	Detail No.: <b>SL175-WS-3.10</b>
Substrate:	<b>WOOD SUBSTRATE</b>	Project Name: Location:

**IMPORTANT INSTALLATION NOTE**  
 CONSULT UNION CORRUGATING CO.  
 WARRANTY DEPARTMENT BEFORE USING  
 THIS DETAIL WHEN INSTALLATION  
 REQUIRES WEATHERTIGHTNESS WARRANTY.

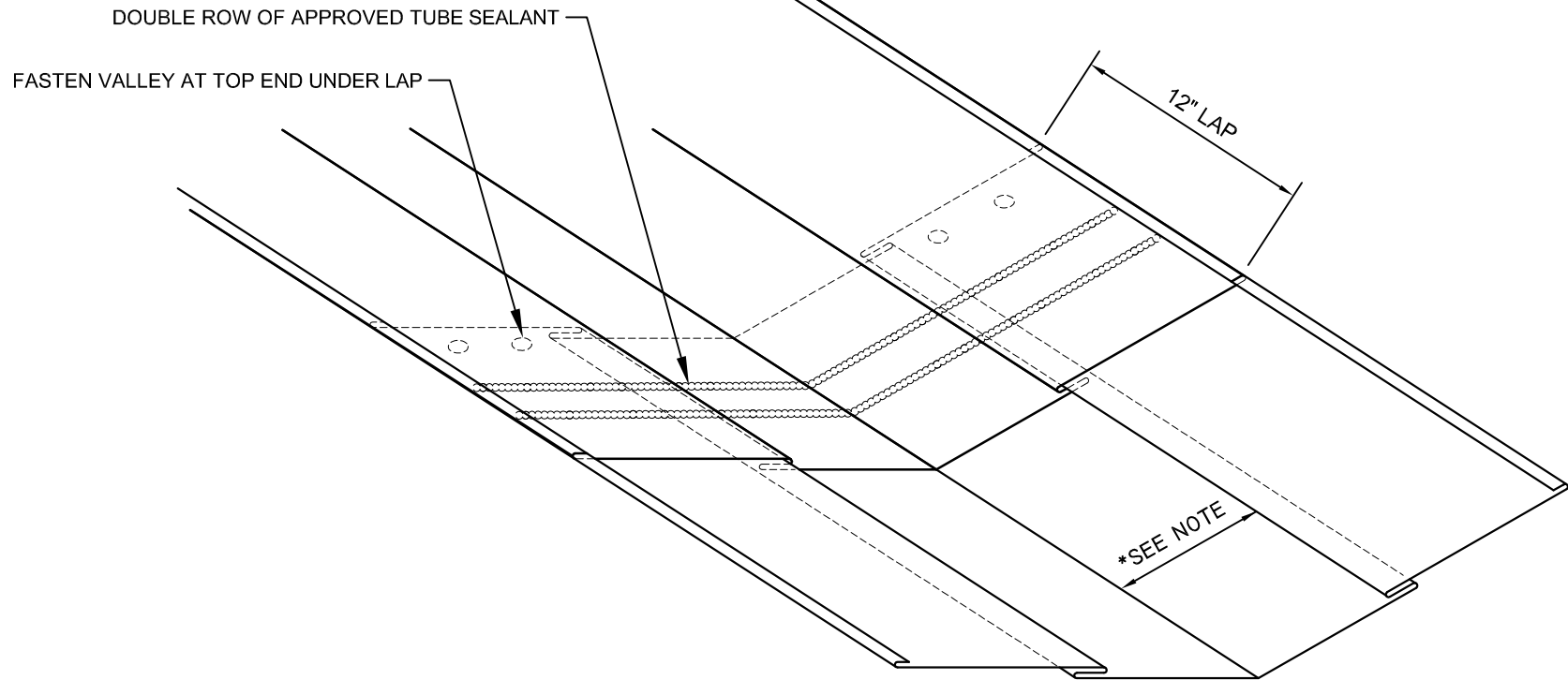


Description: **VALLEY - WITH OFFSET CLEAT**

Detail No.: **SL175-WS-3.20**

Substrate: **WOOD SUBSTRATE**

Project Name:  
 Location:



TELESCOPING VALLEY FLASHING LAP

**IMPORTANT INSTALLATION NOTE**

EACH VALLEY SECTION IS MADE PROGRESSIVELY SMALLER TO ALLOW UPPER SECTION TO INSERT INTO LOWER SECTION. NO FIELD NOTCHING AT LAP.



Description:

**VALLEY LAP DETAIL**

Detail No.:

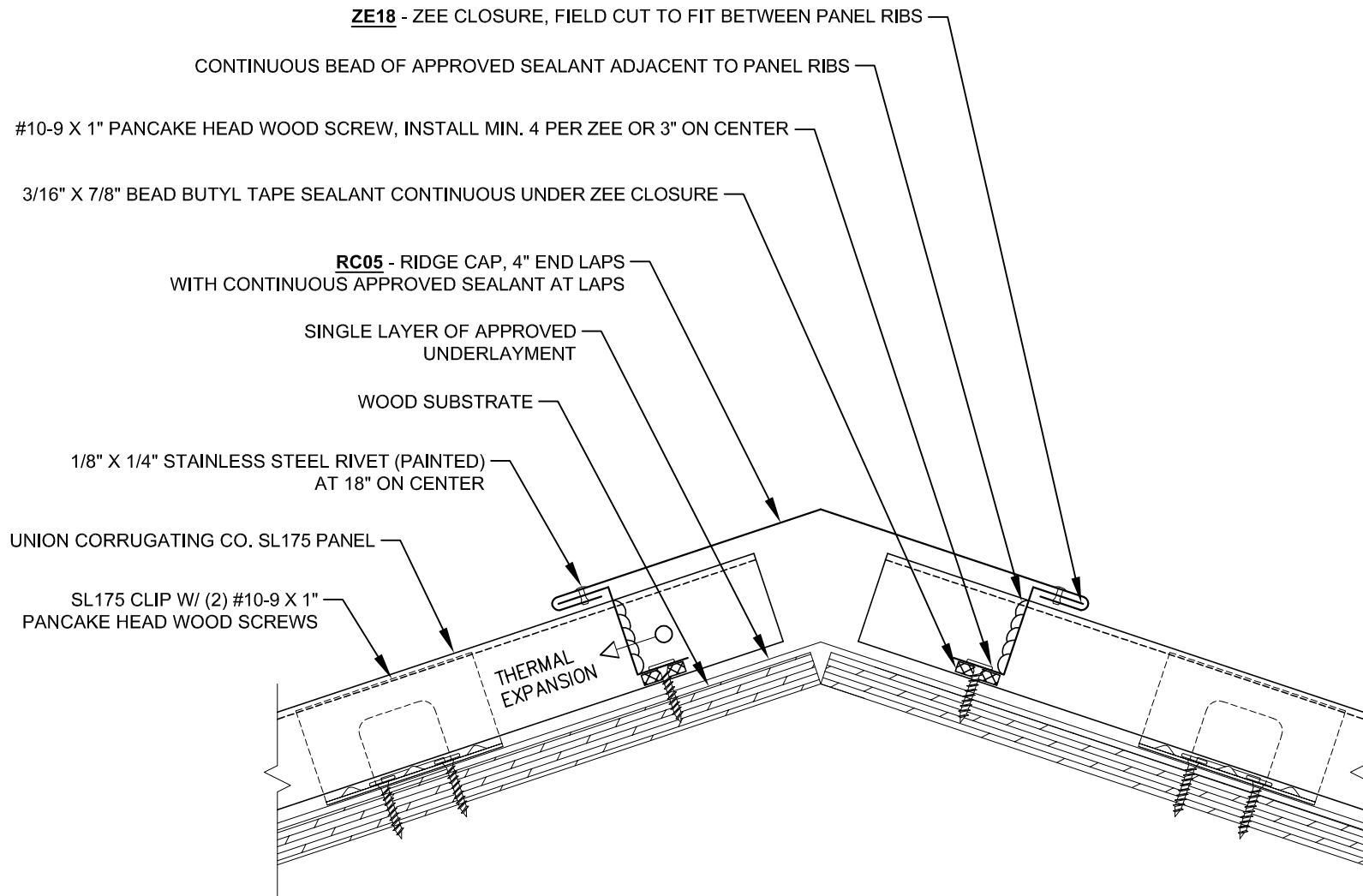
SL175-3.90

Substrate:

Project Name:

Location:





Description:

# HIP AND RIDGE DETAIL

Detail No.:

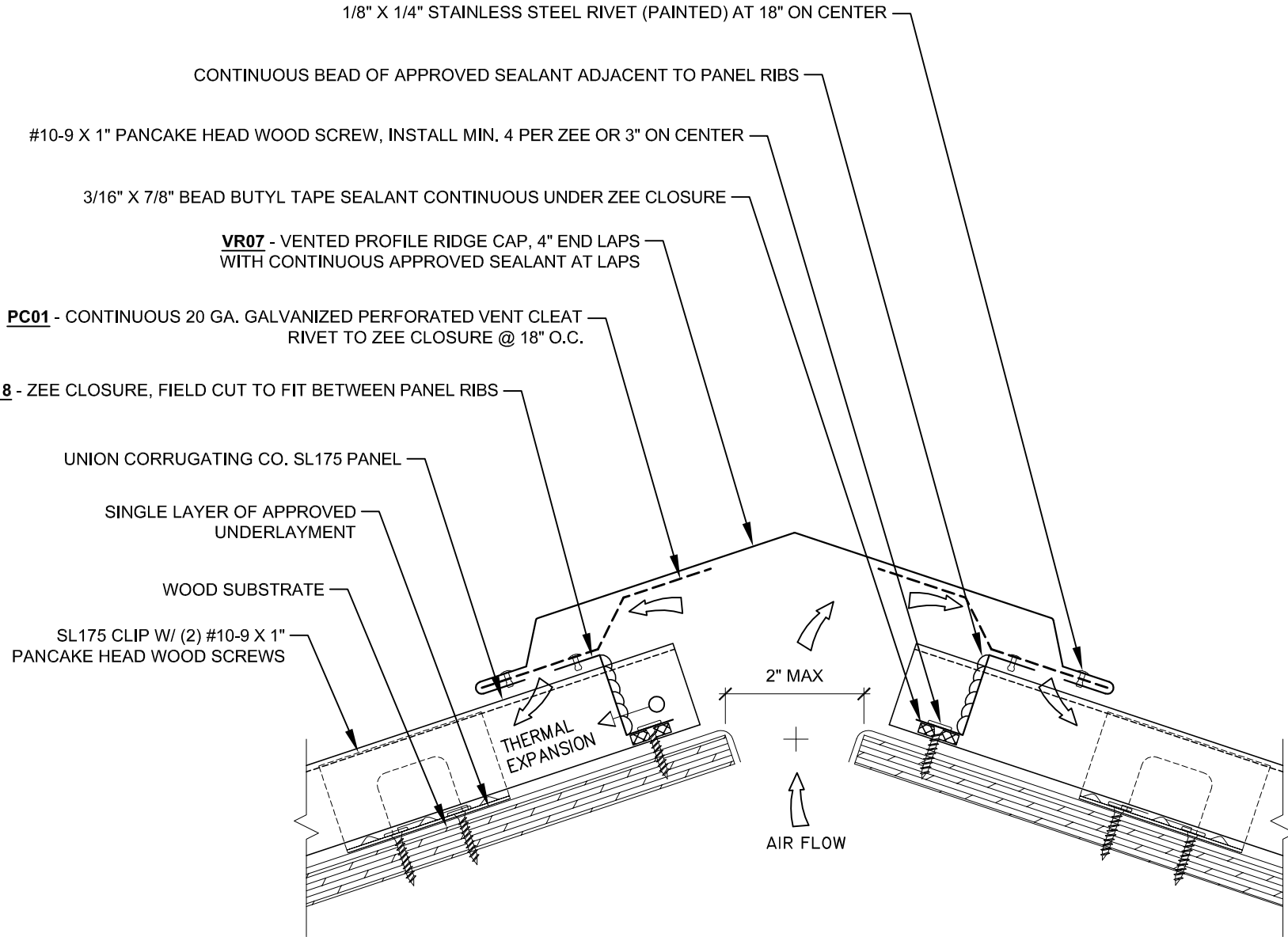
SL175-WS-4.10

Substrate:

WOOD SUBSTRATE

Project Name:

Location:

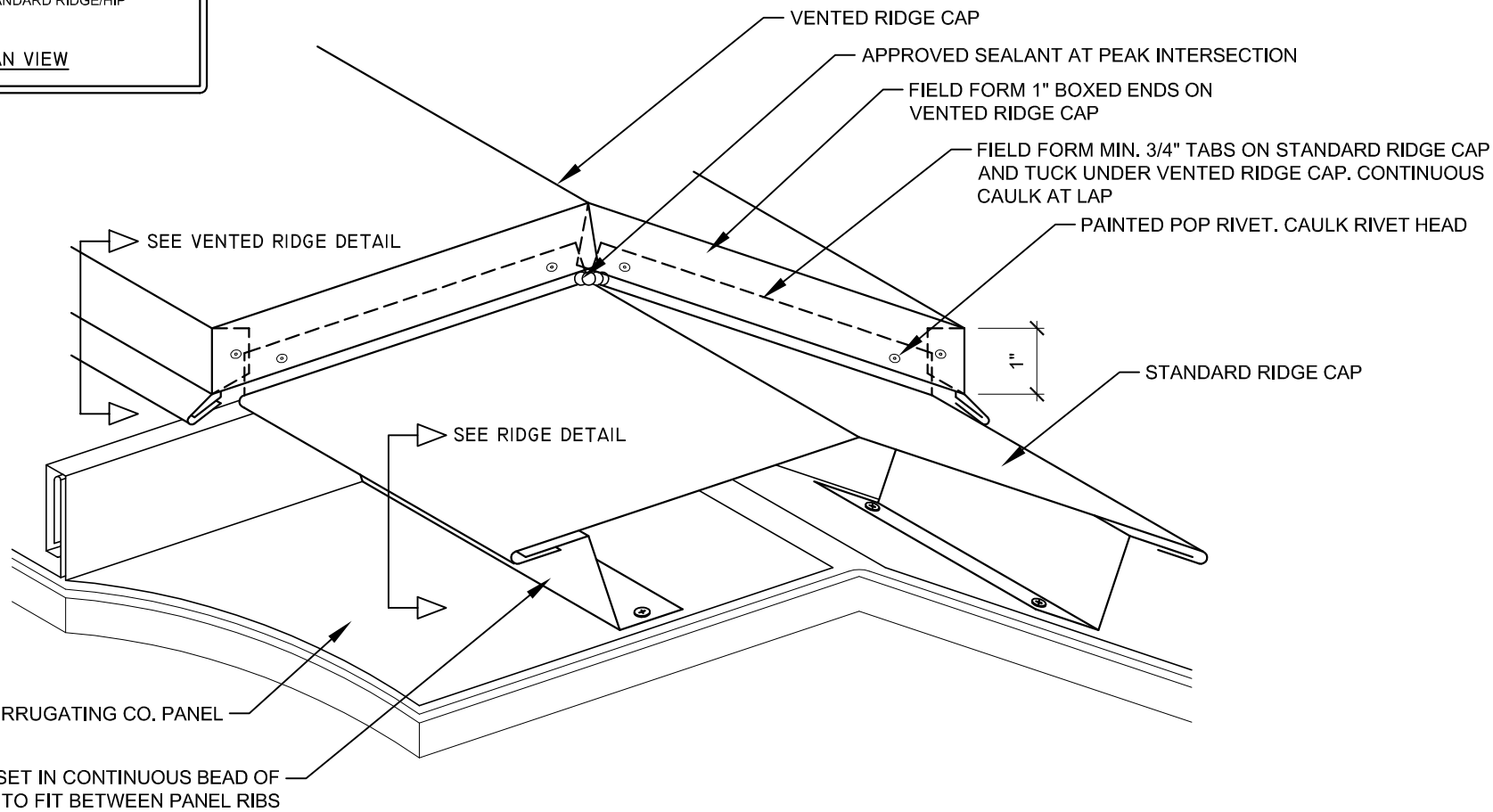
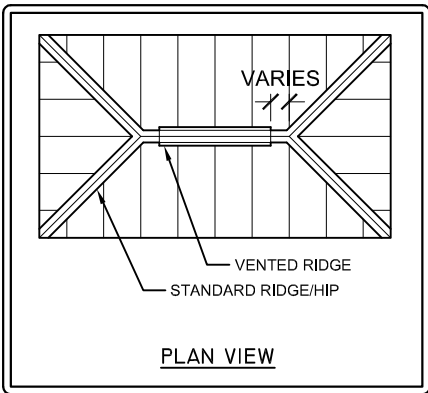


Description: **VENTED RIDGE DETAIL**

Detail No.: **SL175-WS-4.20**

Substrate: **WOOD SUBSTRATE**

Project Name:  
Location:



Description:

# STANDARD TO VENTED RIDGE TRANSITION

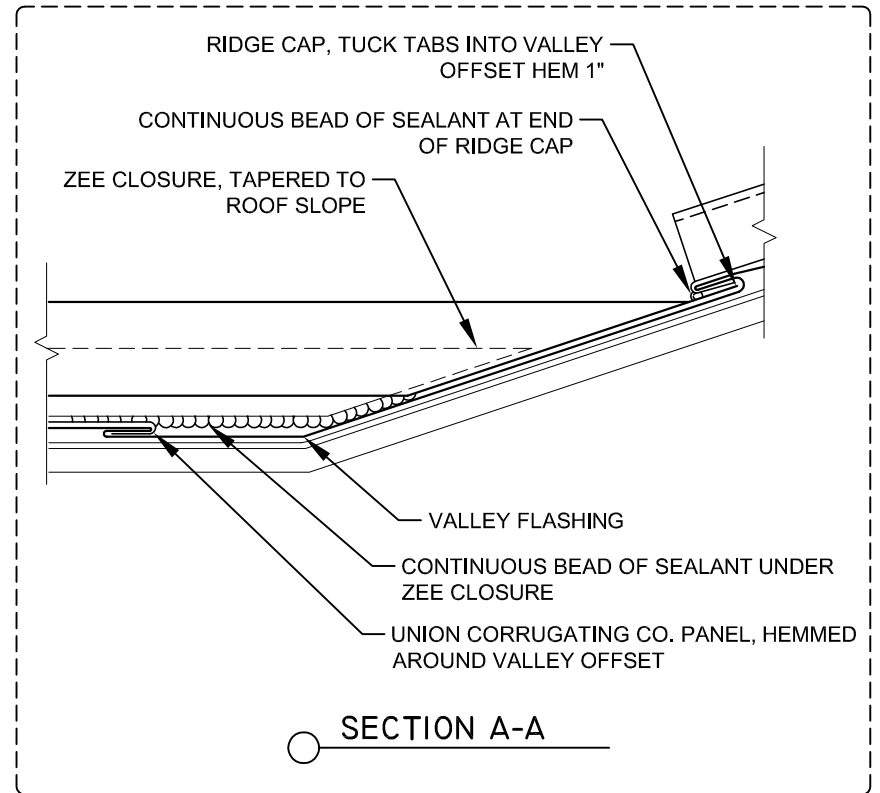
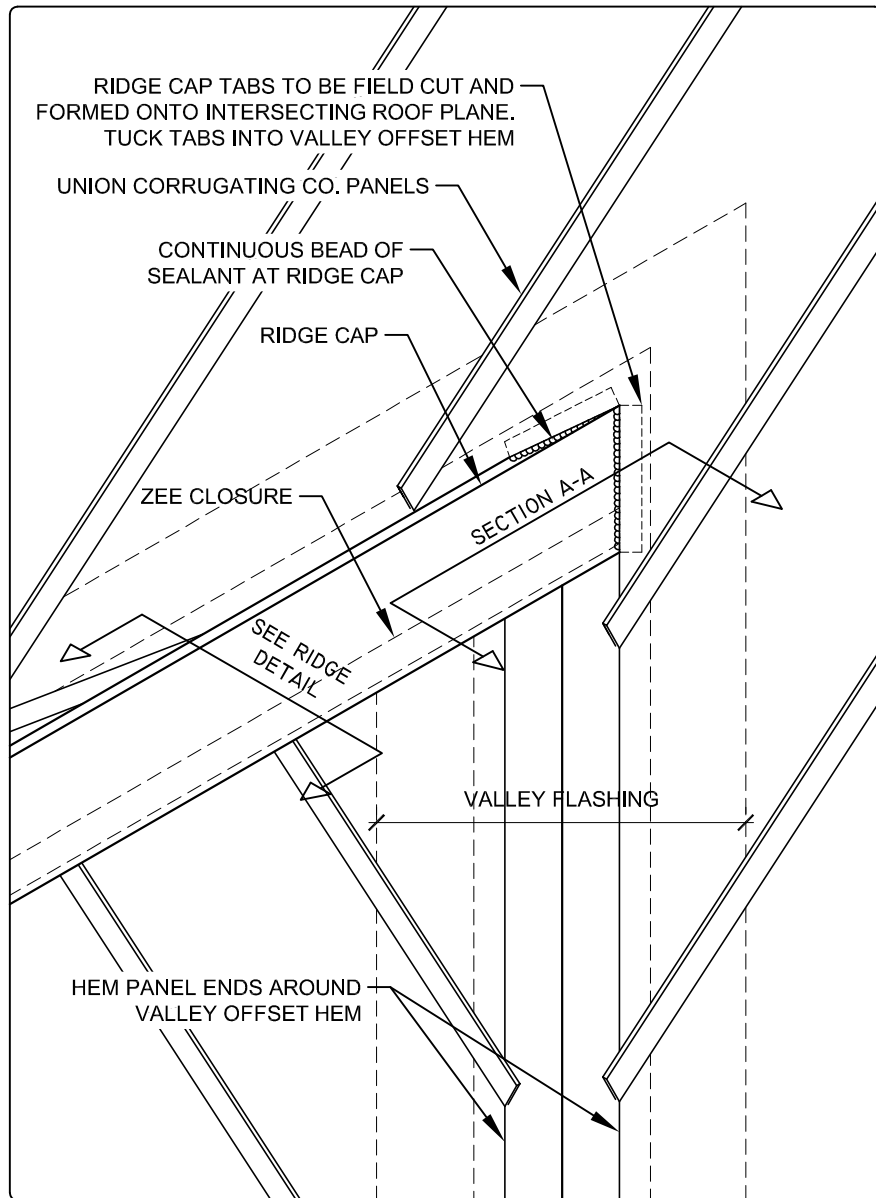
Detail No.:

SL175-4.30

Substrate:

Project Name:

Location:



Description:

# RIDGE TERMINATION @ VALLEY

Detail No.:

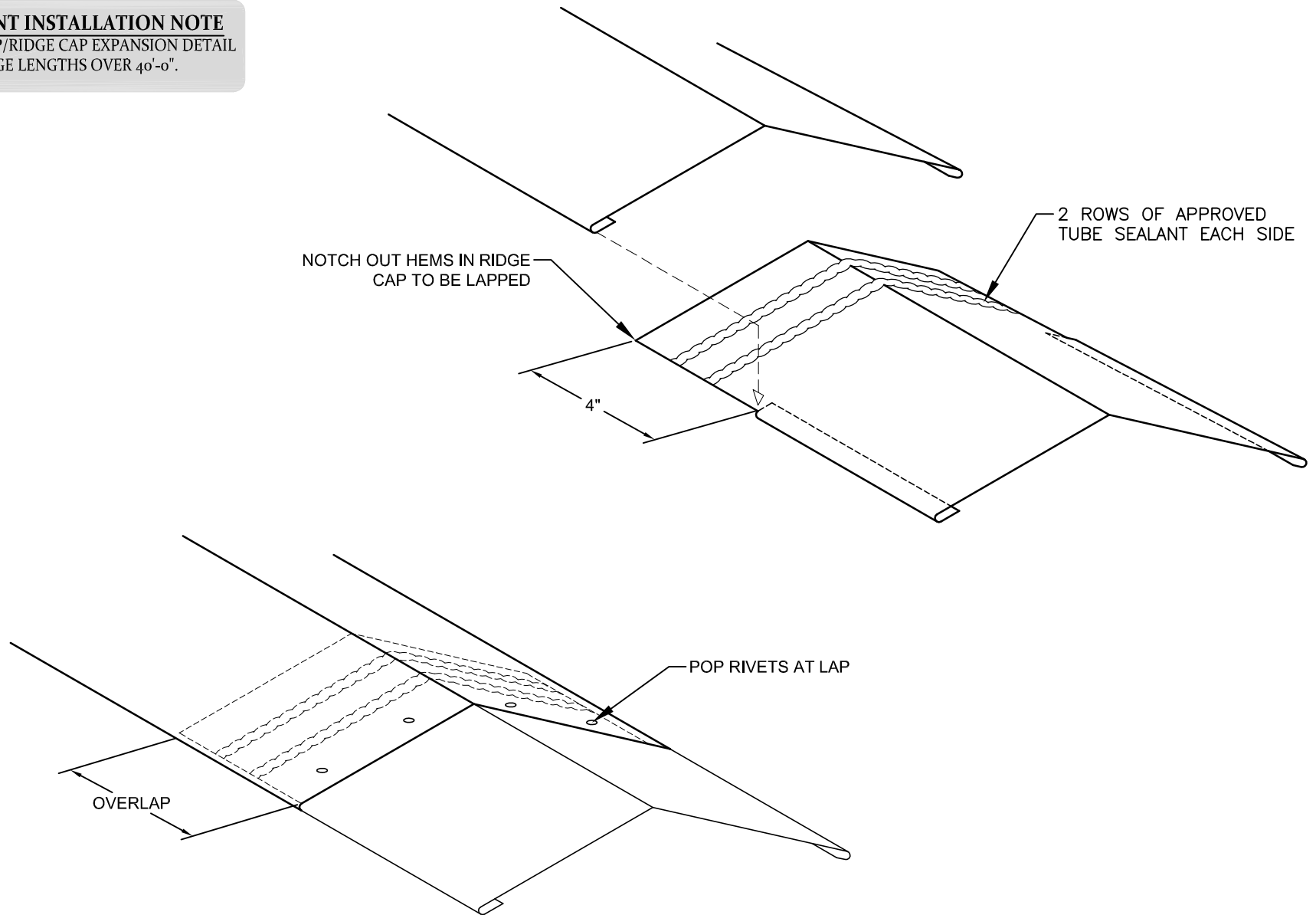
SL175-4.40

Substrate:

Project Name:

Location:

**IMPORTANT INSTALLATION NOTE**  
REFER TO HIP/RIDGE CAP EXPANSION DETAIL  
FOR HIP/RIDGE LENGTHS OVER 40'-0".



Description:

# HIP & RIDGE CAP LAP DETAIL

Detail No.:

SL175-4.90

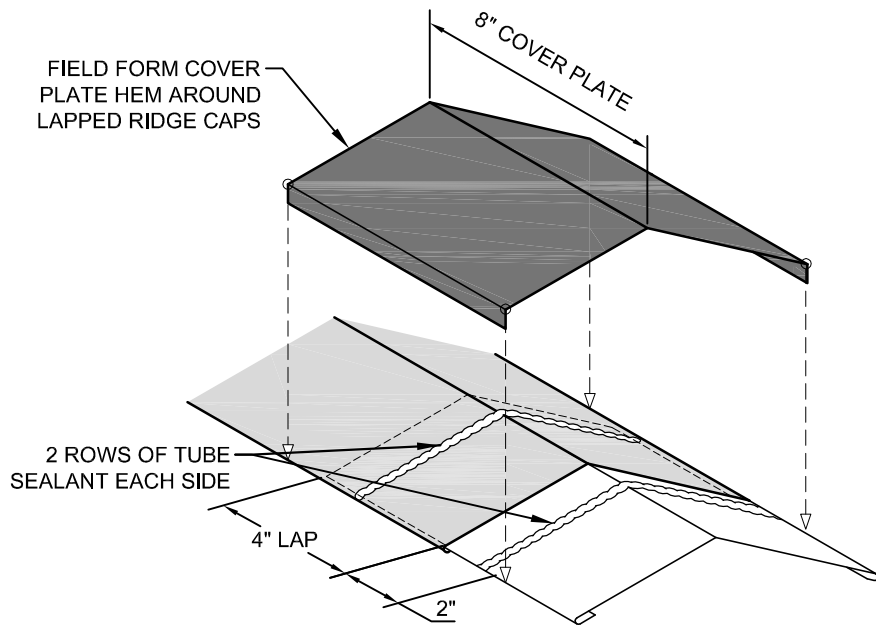
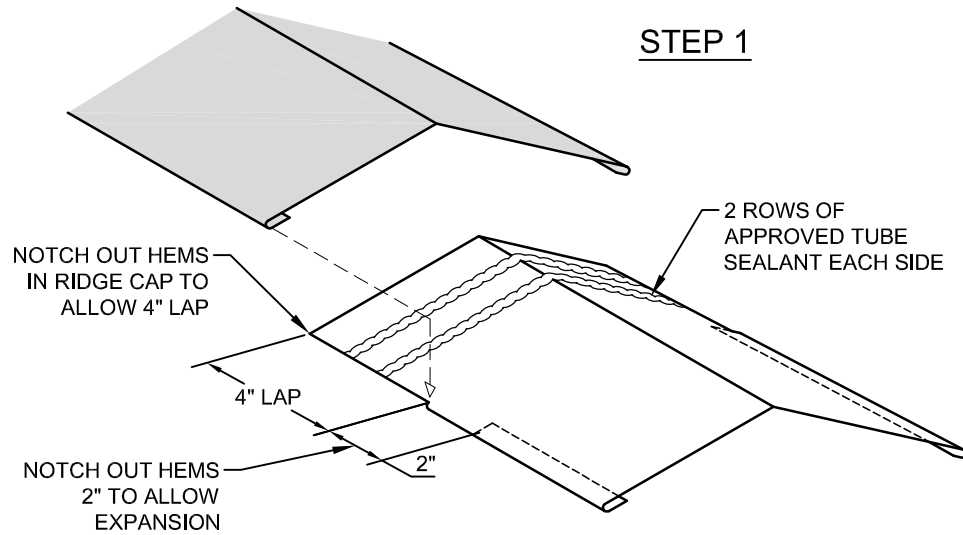
Substrate:

Project Name:

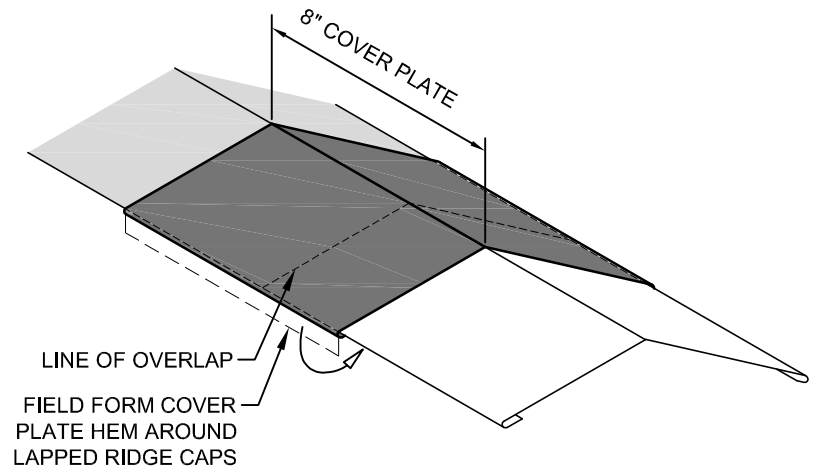
Location:

**STEP 1**

**IMPORTANT INSTALLATION NOTE**  
USE AT EVERY 40'0" OF CONTINUOUS RIDGE.  
DO NOT POP RIVET LAPPED FLASHING.



**STEP 2**



**STEP 3**



Description:

**HIP & RIDGE CAP EXPANSION**

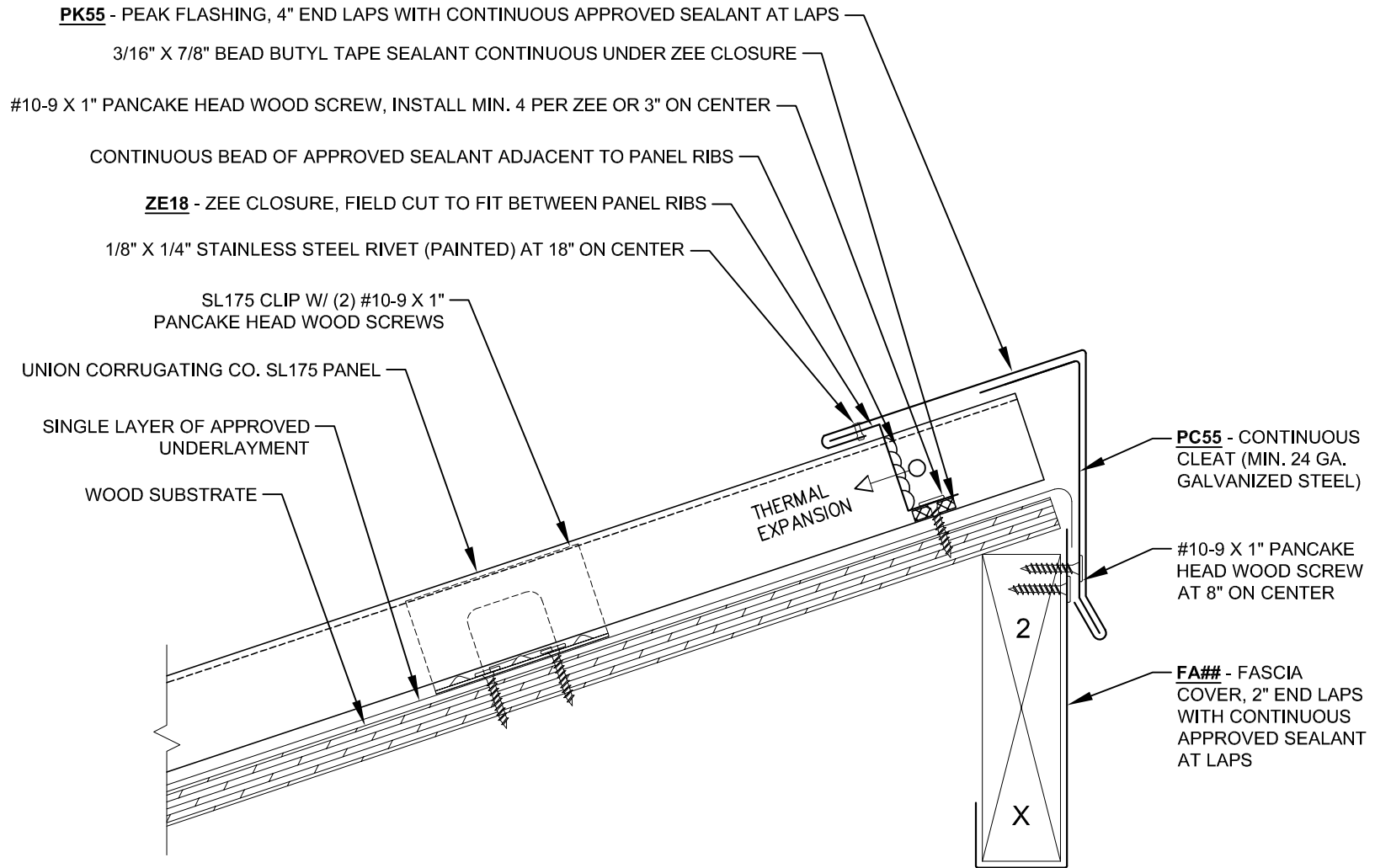
Detail No.:

**SL175-4.91**

Substrate:

Project Name:

Location:



Description:

# PEAK DETAIL

Detail No.:

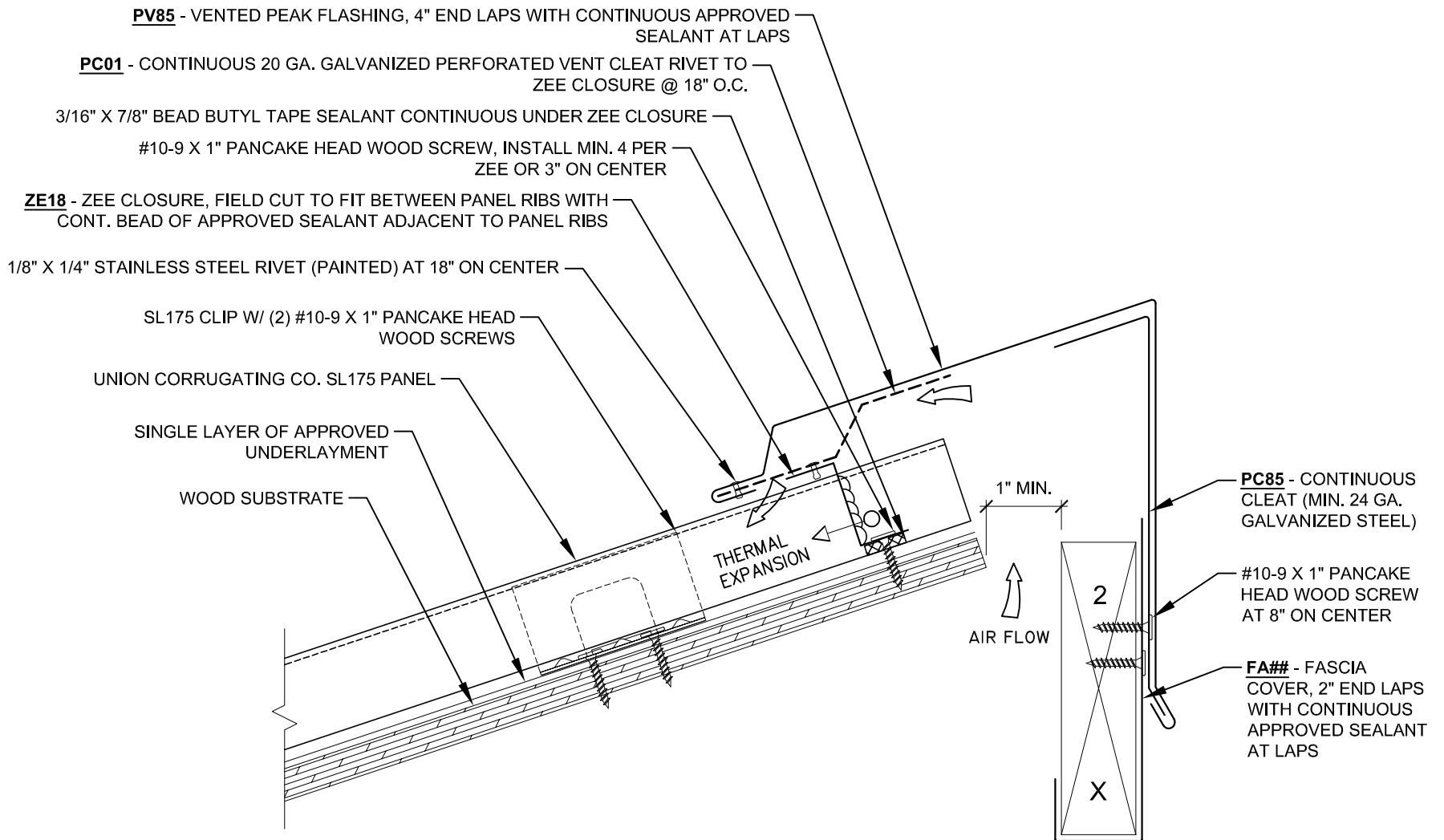
SL175-WS-5.10

Substrate:

WOOD SUBSTRATE

Project Name:

Location:



Description:

# VENTED PEAK DETAIL

Detail No.:

SL175-WS-5.20

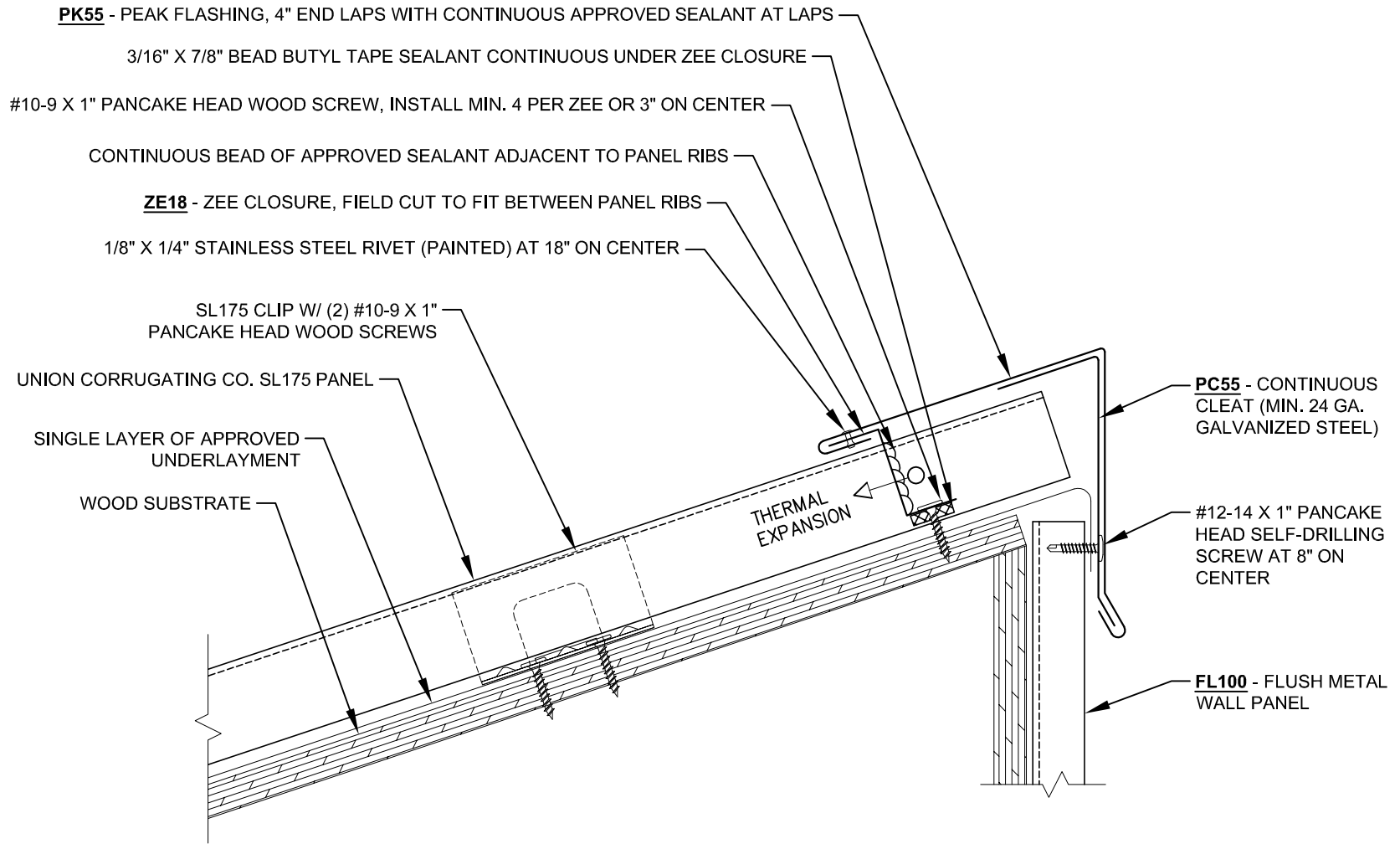
Substrate:

WOOD SUBSTRATE

Project Name:

Location:





Description:

# PEAK DETAIL - WITH WALL PANELS

Detail No.:

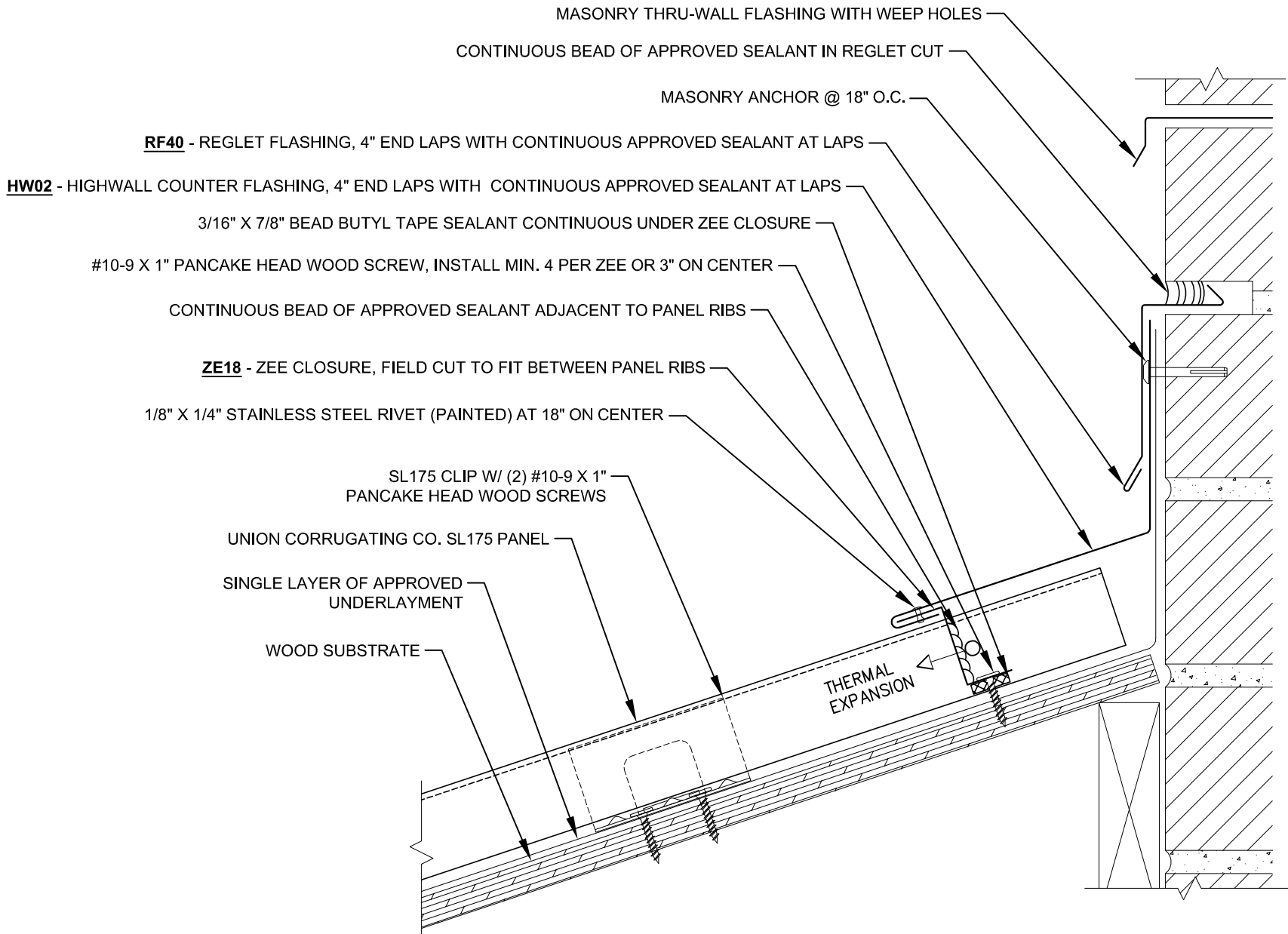
SL175-WS-5.40

Substrate:

WOOD SUBSTRATE

Project Name:

Location:



Description:

# HIGHWALL DETAIL - REGLET

Detail No.:

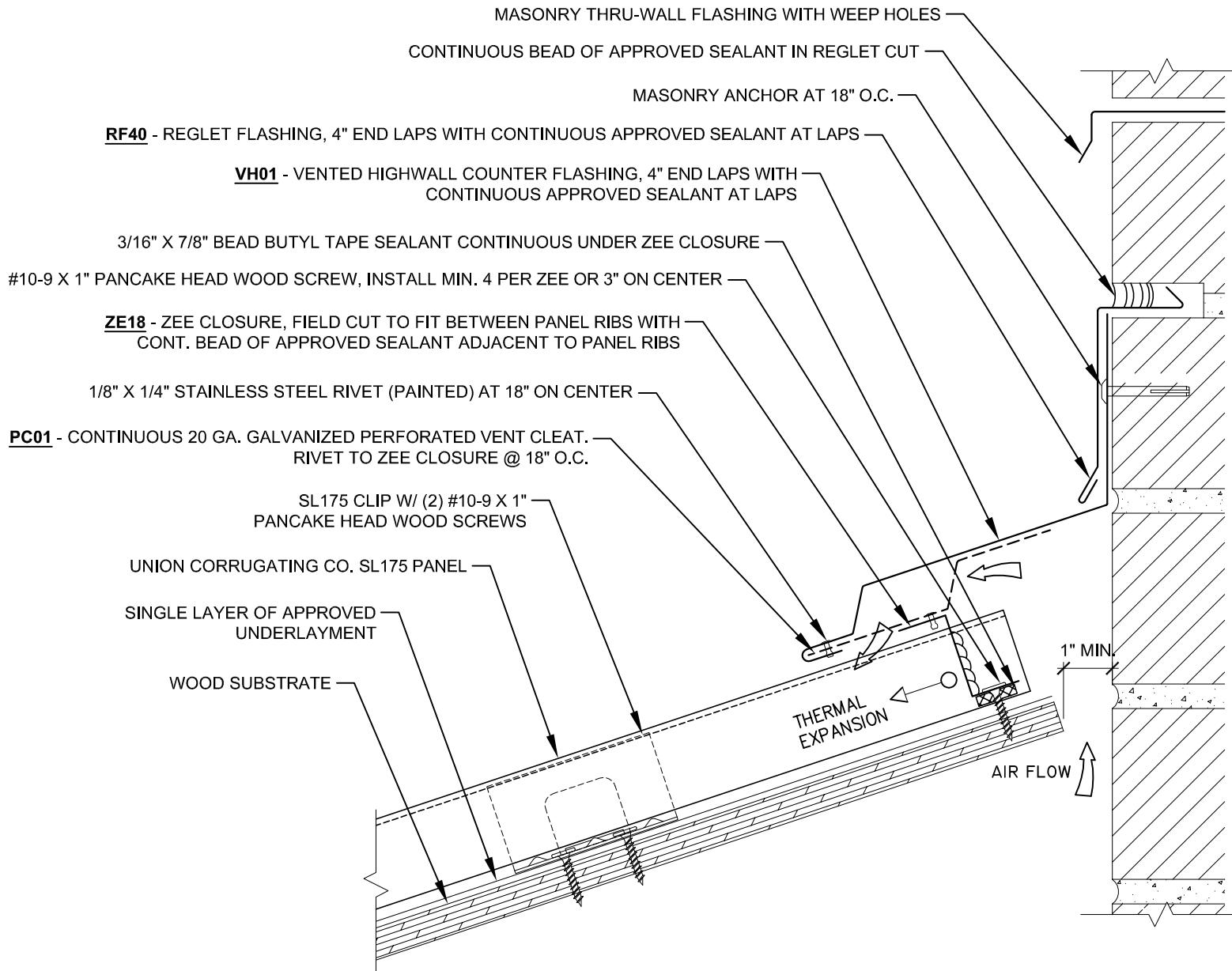
SL175-WS-6.10

Substrate:

WOOD SUBSTRATE

Project Name:

Location:



Description:

# VENTED HIGHWALL DETAIL - REGLET

Detail No.:

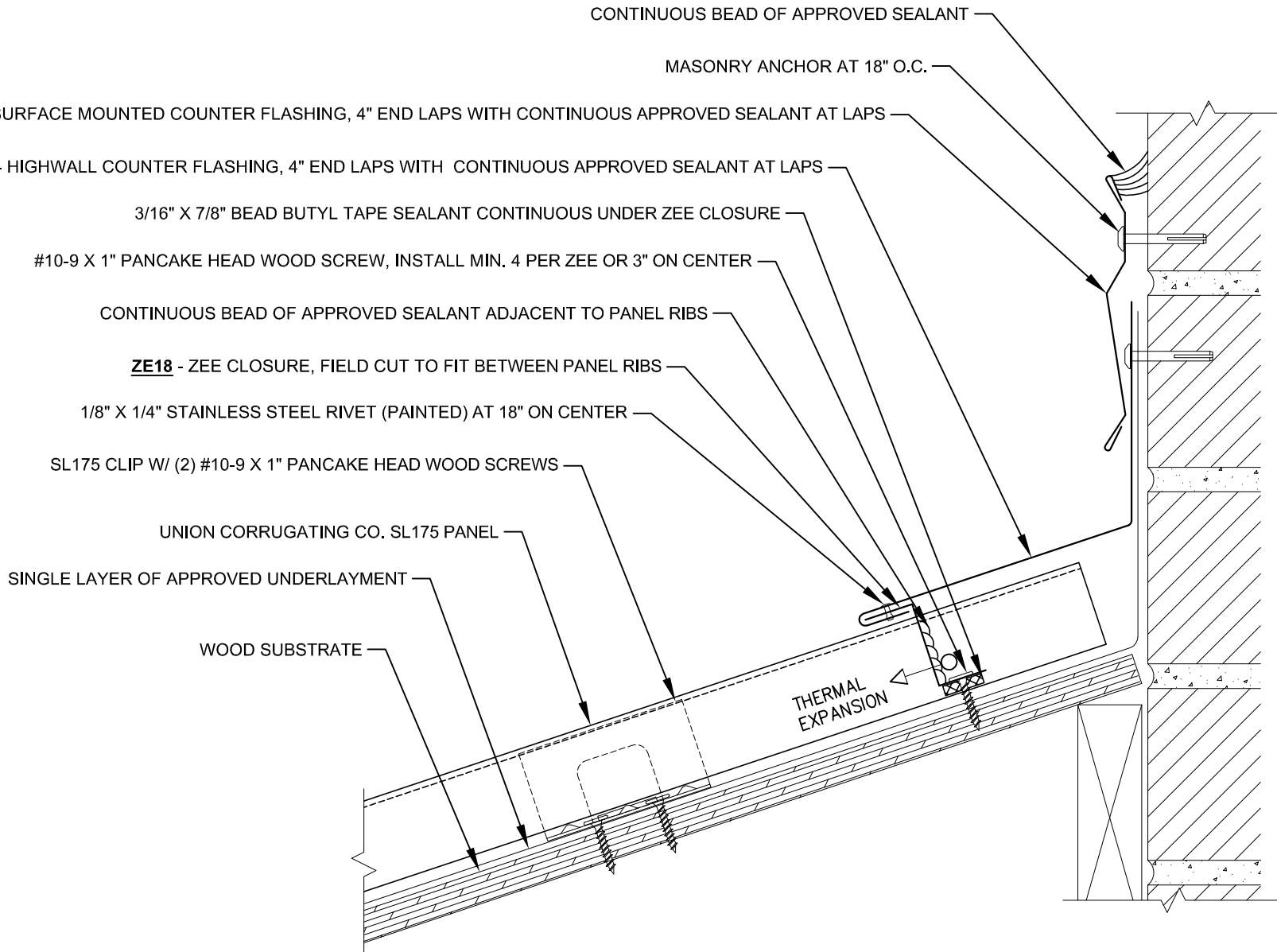
SL175-WS-6.11

Substrate:

WOOD SUBSTRATE

Project Name:

Location:



**SM55** - SURFACE MOUNTED COUNTER FLASHING, 4" END LAPS WITH CONTINUOUS APPROVED SEALANT AT LAPS

**HW02** - HIGHWALL COUNTER FLASHING, 4" END LAPS WITH CONTINUOUS APPROVED SEALANT AT LAPS

3/16" X 7/8" BEAD BUTYL TAPE SEALANT CONTINUOUS UNDER ZEE CLOSURE

#10-9 X 1" PANCAKE HEAD WOOD SCREW, INSTALL MIN. 4 PER ZEE OR 3" ON CENTER

CONTINUOUS BEAD OF APPROVED SEALANT ADJACENT TO PANEL RIBS

**ZE18** - ZEE CLOSURE, FIELD CUT TO FIT BETWEEN PANEL RIBS

1/8" X 1/4" STAINLESS STEEL RIVET (PAINTED) AT 18" ON CENTER

SL175 CLIP W/ (2) #10-9 X 1" PANCAKE HEAD WOOD SCREWS

UNION CORRUGATING CO. SL175 PANEL

SINGLE LAYER OF APPROVED UNDERLAYMENT

WOOD SUBSTRATE

THERMAL EXPANSION

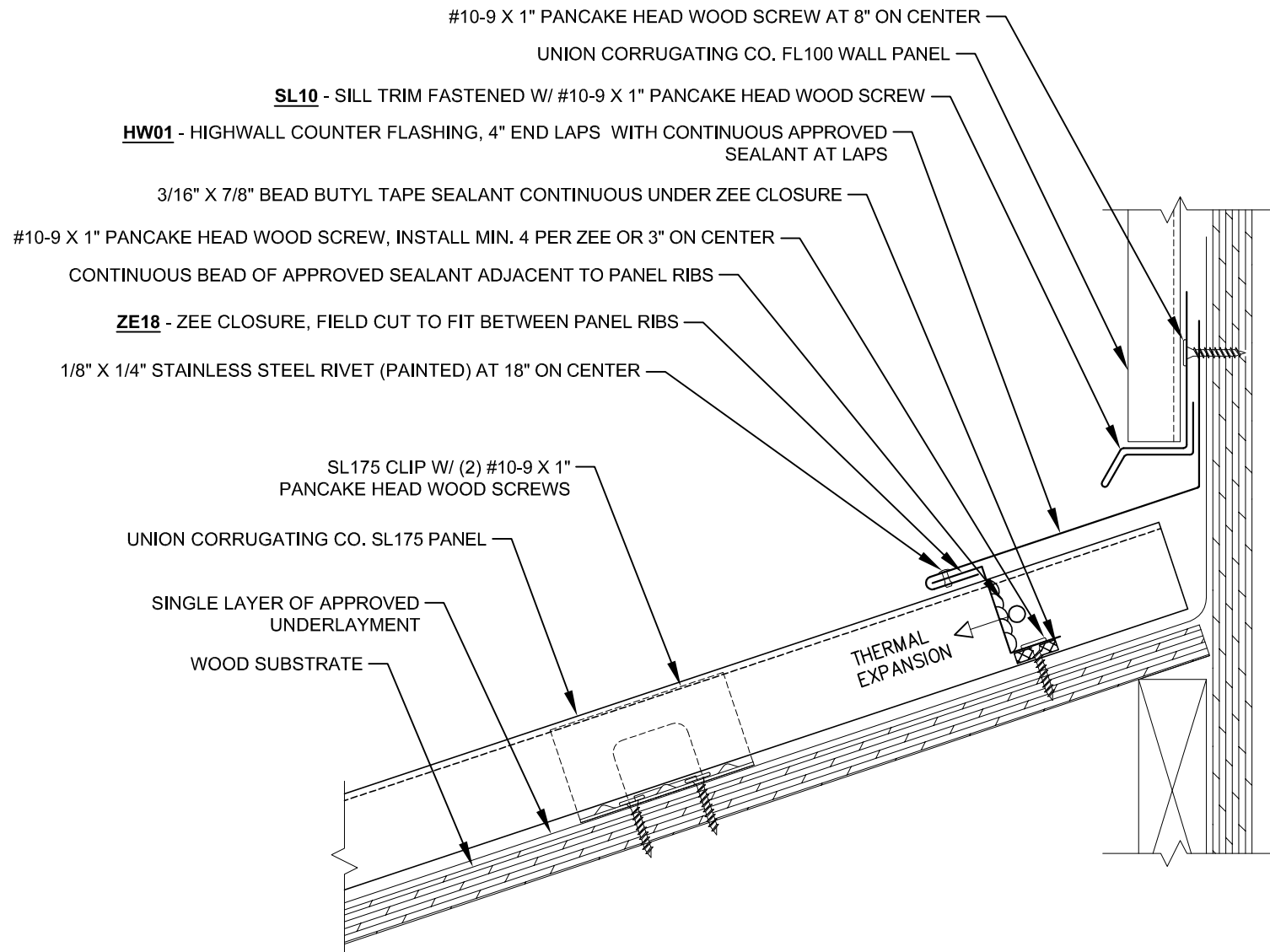


Description: **HIGHWALL DETAIL - SURFACE MOUNT**

Detail No.: **SL175-WS-6.12**

Substrate: **WOOD SUBSTRATE**

Project Name:  
Location:



Description: **HIGHWALL DETAIL - WALL PANEL W/ SILL**

Detail No.: **SL175-WS-6.14**

Substrate: **WOOD SUBSTRATE**

Project Name:  
Location:

MEMBRANE ROOFING SYSTEM. EXTEND OVER PARAPET AND DOWN FACE OF WALL MINIMUM 3"

COPING SYSTEM WITH CONTINUOUS CLEAT (MIN. 24 GAUGE) FASTENED AT 8" ON CENTER AT CLEAT AND 24" ON CENTER AT REAR. INSTALL WITH 4" END LAPS WITH CONTINUOUS APPROVED SEALANT AT LAPS.

**HW02** - HIGHWALL COUNTER FLASHING, 4" END LAPS WITH CONTINUOUS APPROVED SEALANT AT LAPS

3/16" X 7/8" BEAD BUTYL TAPE SEALANT CONTINUOUS UNDER ZEE CLOSURE

#10-9 X 1" PANCAKE HEAD WOOD SCREW, INSTALL MIN. 4 PER ZEE OR 3" ON CENTER

CONTINUOUS BEAD OF APPROVED SEALANT ADJACENT TO PANEL RIBS

**ZE18** - ZEE CLOSURE, FIELD CUT TO FIT BETWEEN PANEL RIBS

1/8" X 1/4" STAINLESS STEEL RIVET (PAINTED) AT 18" ON CENTER

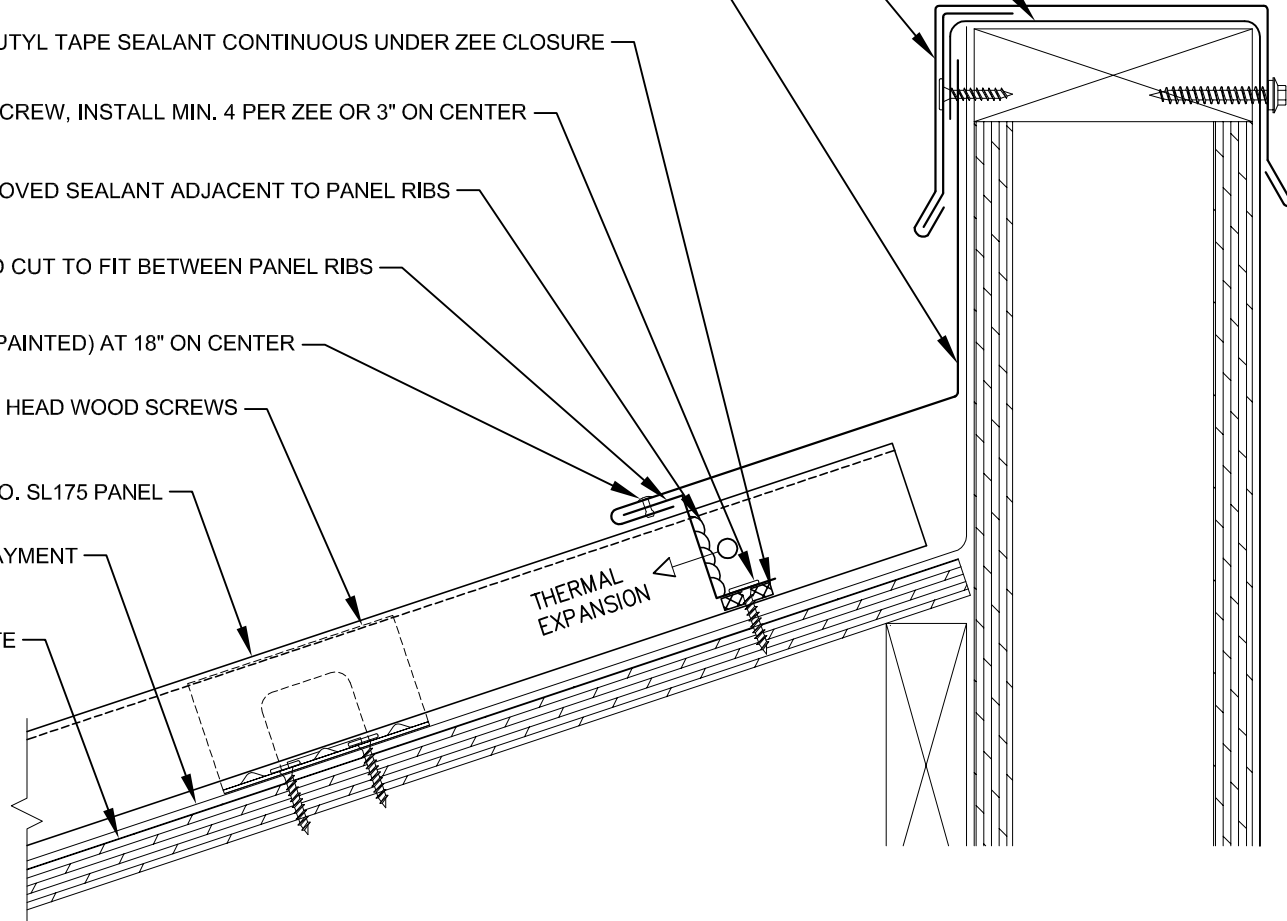
SL175 CLIP W/ (2) #10-9 X 1" PANCAKE HEAD WOOD SCREWS

UNION CORRUGATING CO. SL175 PANEL

SINGLE LAYER OF APPROVED UNDERLAYMENT

WOOD SUBSTRATE

THERMAL EXPANSION



Description:

HIGHWALL DETAIL - PARAPET COPING

Detail No.:

SL175-WS-6.20

Substrate:

WOOD SUBSTRATE

Project Name:

Location:

FILL END OF PANEL RIB W/ APPROVED SEALANT FOLD TAB AROUND RIB FOR CLOSURE

**LW01** - LOW WALL FLASHING, 12" END LAPS WITH 2 ROWS OF APPROVED SEALANT AT LAPS

CUT BACK VERTICAL PANEL LEGS AND FIELD FORM PANEL AROUND OFFSET. REFER TO EAVE EXPANSION DETAIL FOR PROPER EXPANSION/CONTRACTION GAP

#10-9 X 1" PANCAKE HEAD WOOD SCREW AT 8" O.C.

**OC01** - CONTINUOUS 24 GAUGE OFFSET CLEAT SET IN CONTINUOUS 3/16" X 7/8" BUTYL TAPE SEALANT

STRIP IN LOW WALL FLASHING WITH FIELD COURSE OF APPROVED UNDERLAYMENT

UNION CORRUGATING CO. SL175 PANEL

SL175 CLIP WITH (2) #10-9 X 1" PANCAKE HEAD WOOD SCREWS

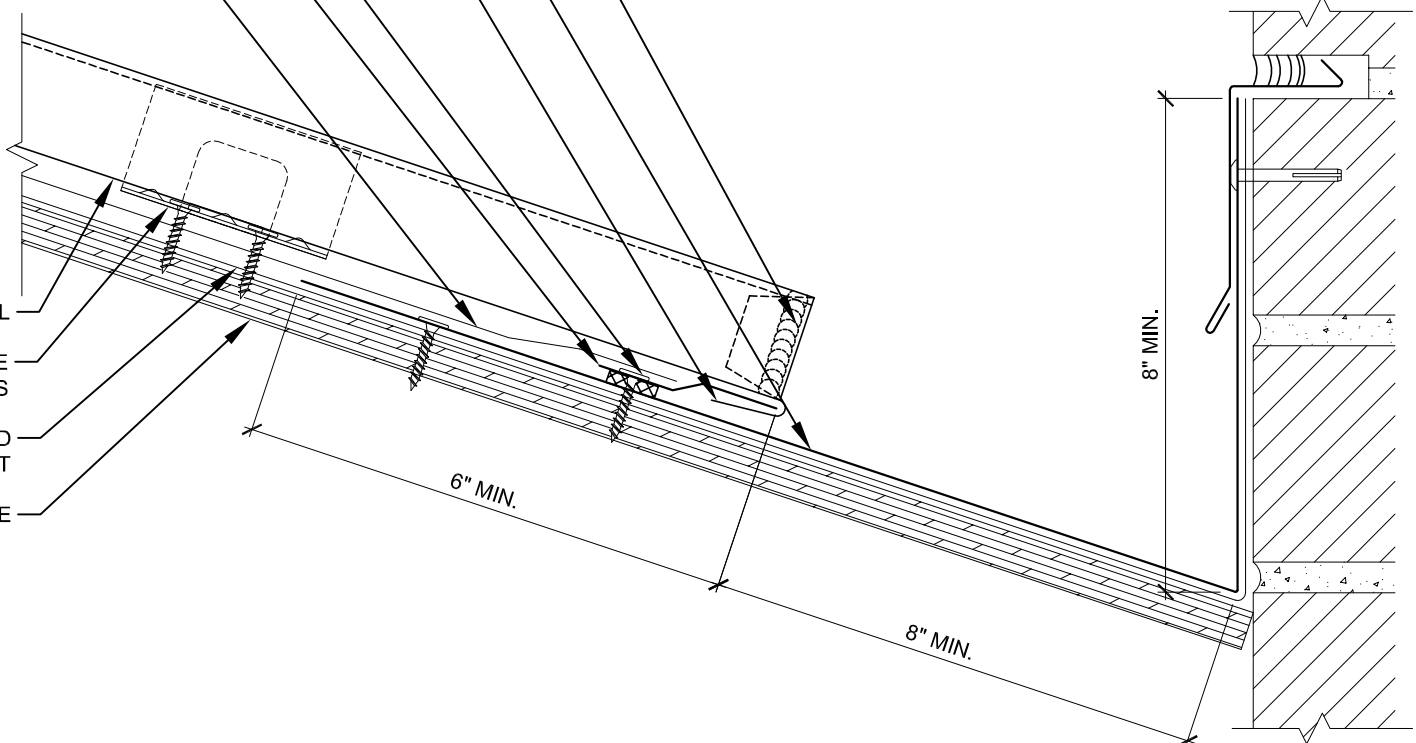
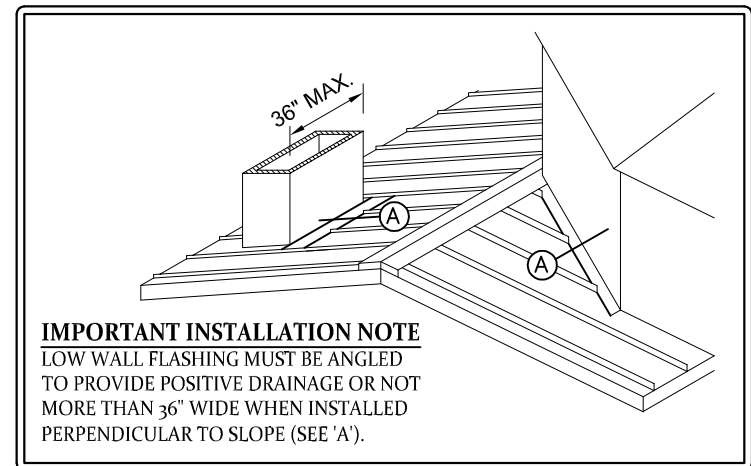
SINGLE LAYER OF APPROVED UNDERLAYMENT

WOOD SUBSTRATE

6" MIN.

8" MIN.

8" MIN.



Description:

# VALLEY WALL DETAIL

Detail No.:

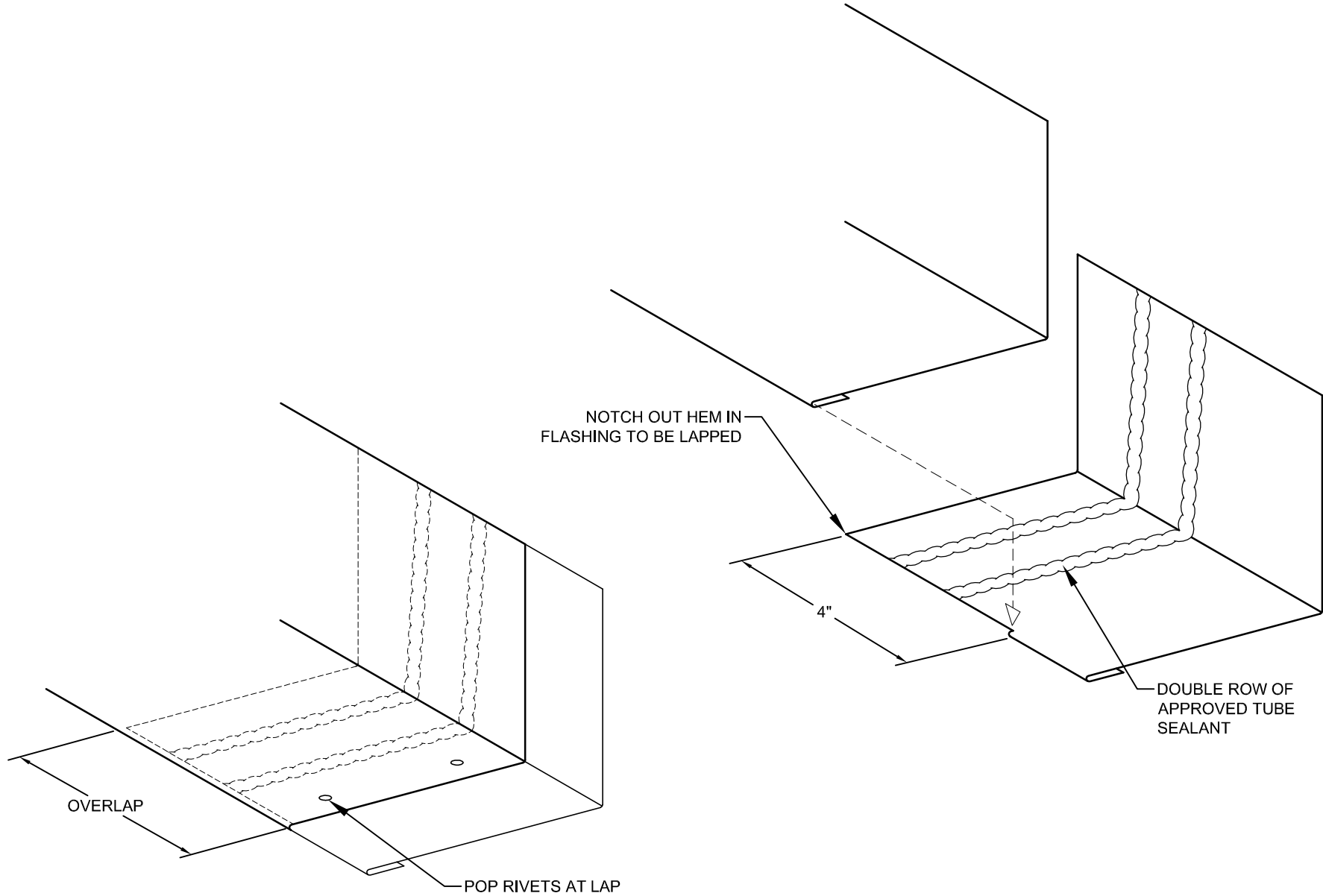
SL175-WS-6.30

Substrate:

WOOD SUBSTRATE

Project Name:

Location:



Description:

# HIGHWALL LAP DETAIL

Detail No.:

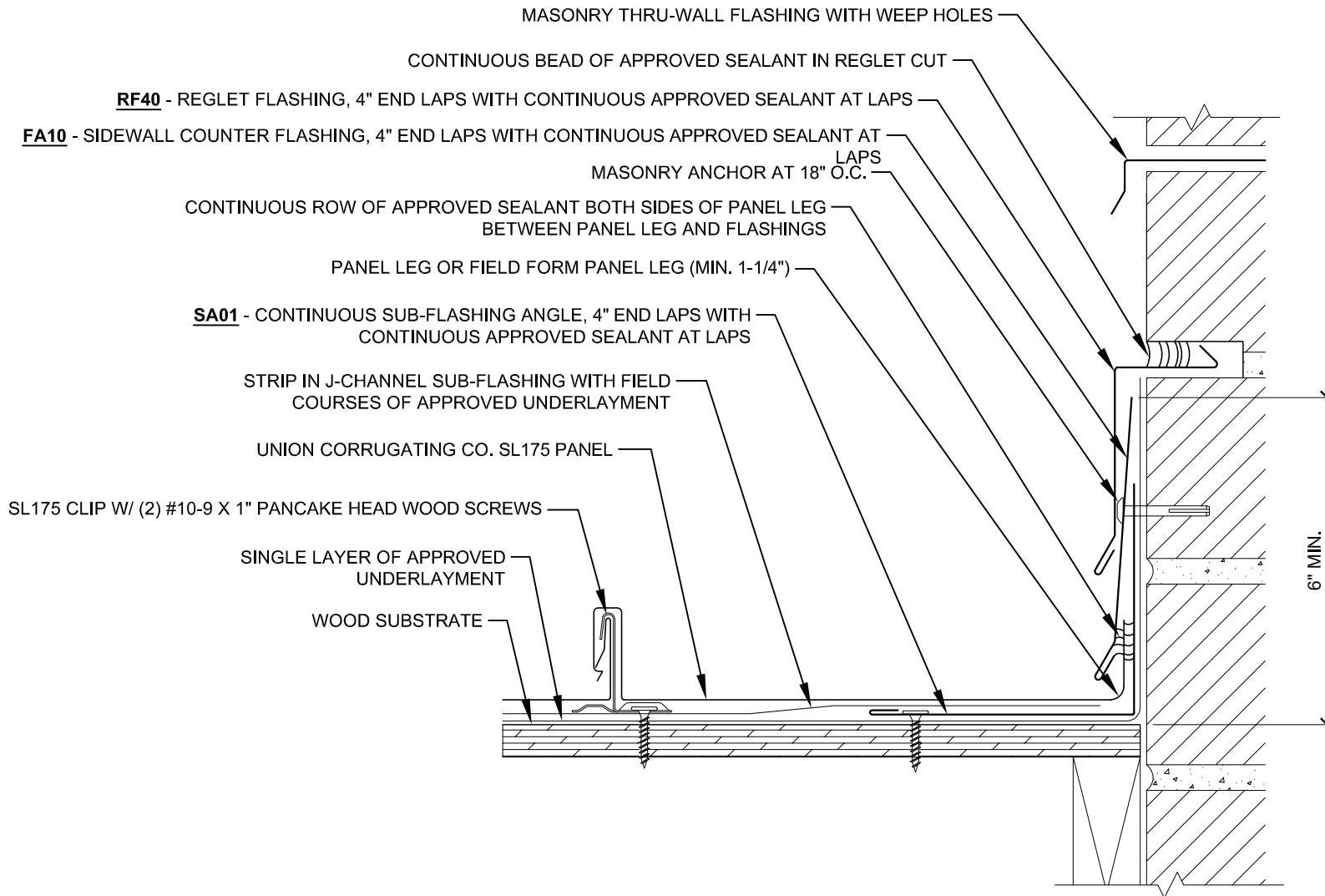
SL175-6.90

Substrate:

Project Name:

Location:





Description:

# SIDEWALL DETAIL - REGLET

Detail No.:

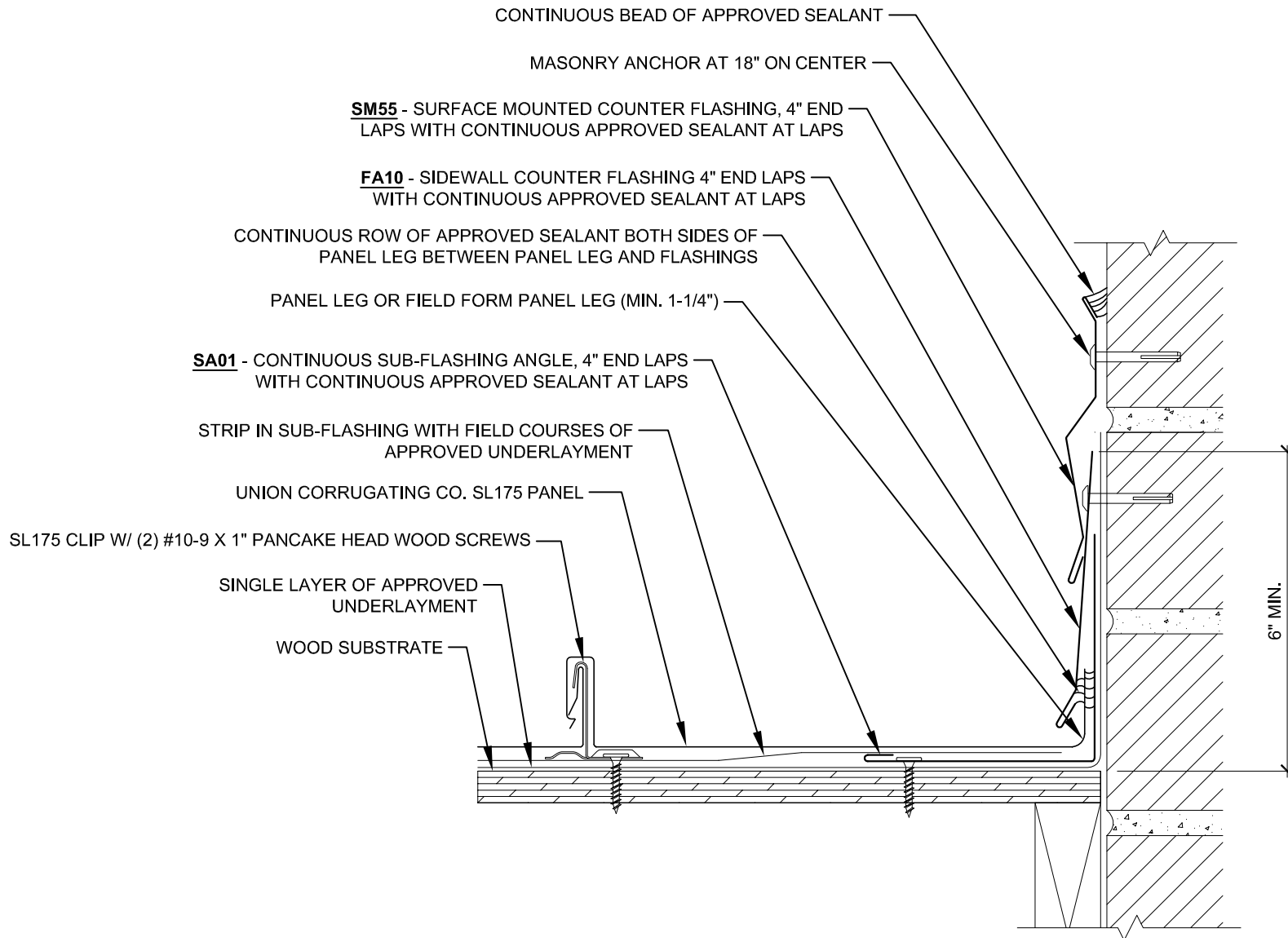
SL175-WS-7.11

Substrate:

WOOD SUBSTRATE

Project Name:

Location:



Description:

## SIDEWALL DETAIL - SURFACE MOUNT

Detail No.:

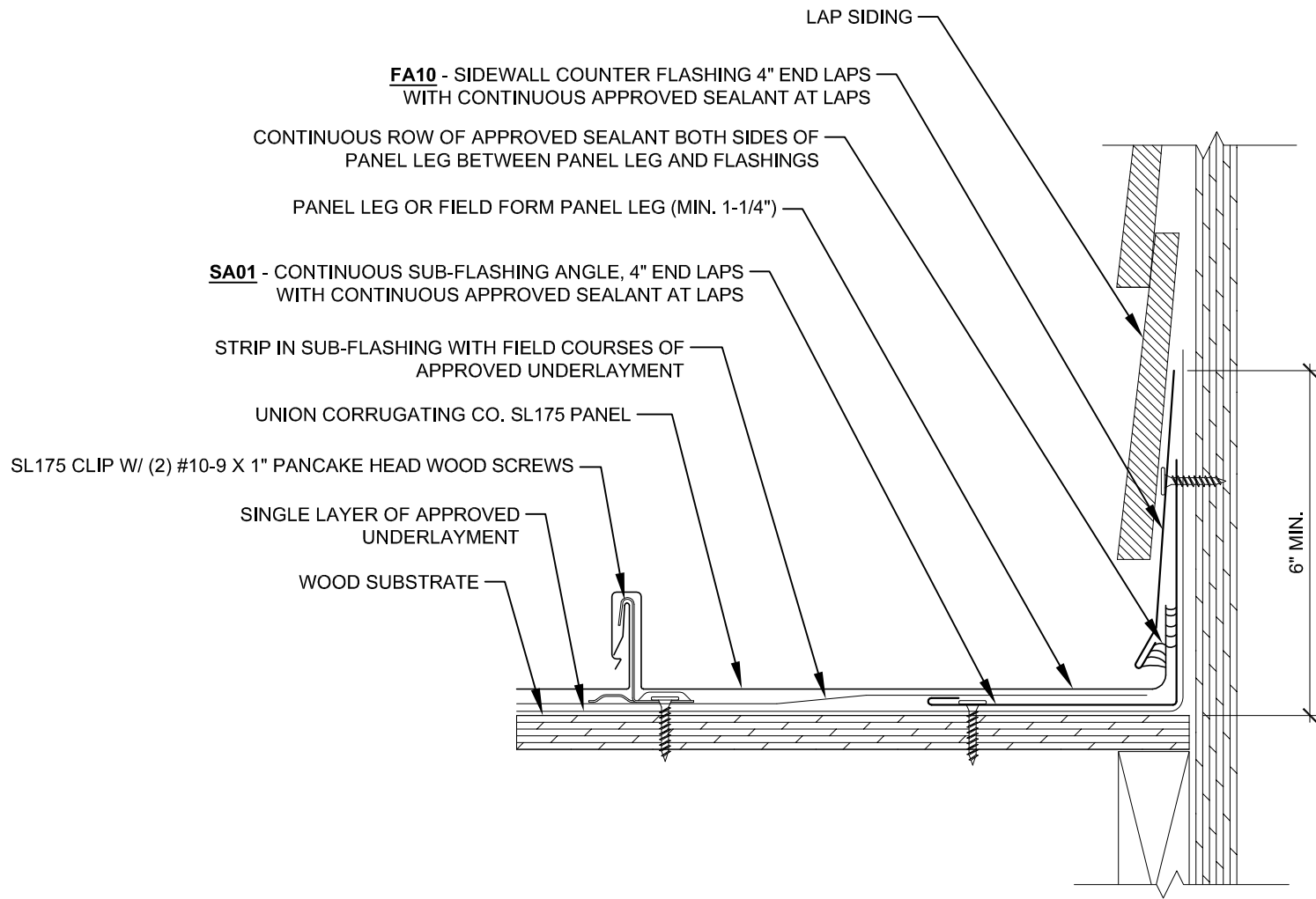
SL175-WS-7.12

Substrate:

WOOD SUBSTRATE

Project Name:

Location:



Description:

**SIDEWALL DETAIL - WOOD FRAMING & SIDING**

Detail No.:

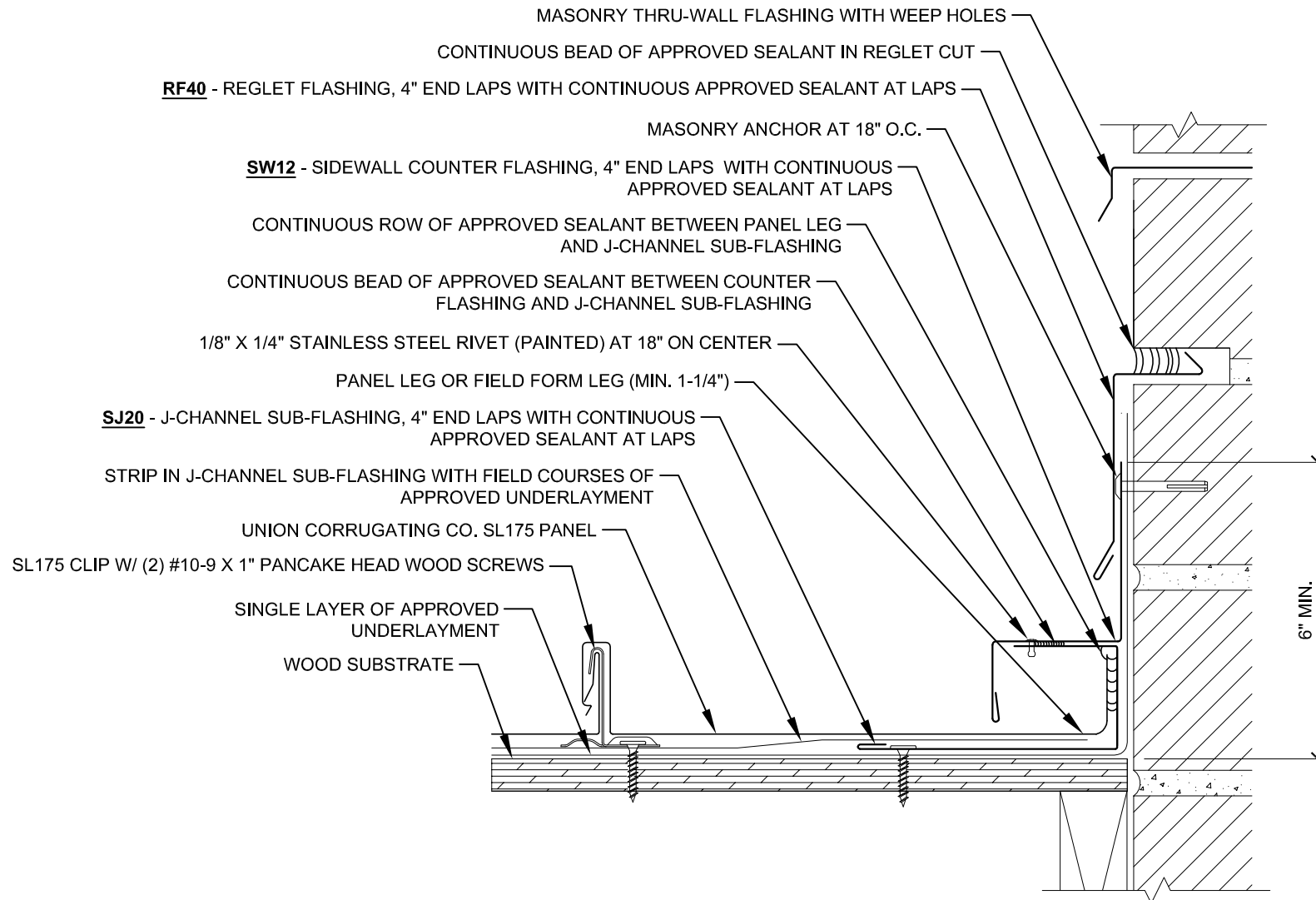
**SL175-WS-7.13**

Substrate:

**WOOD SUBSTRATE**

Project Name:

Location:



Description:

## SIDEWALL DETAIL - REGLET

Detail No.:

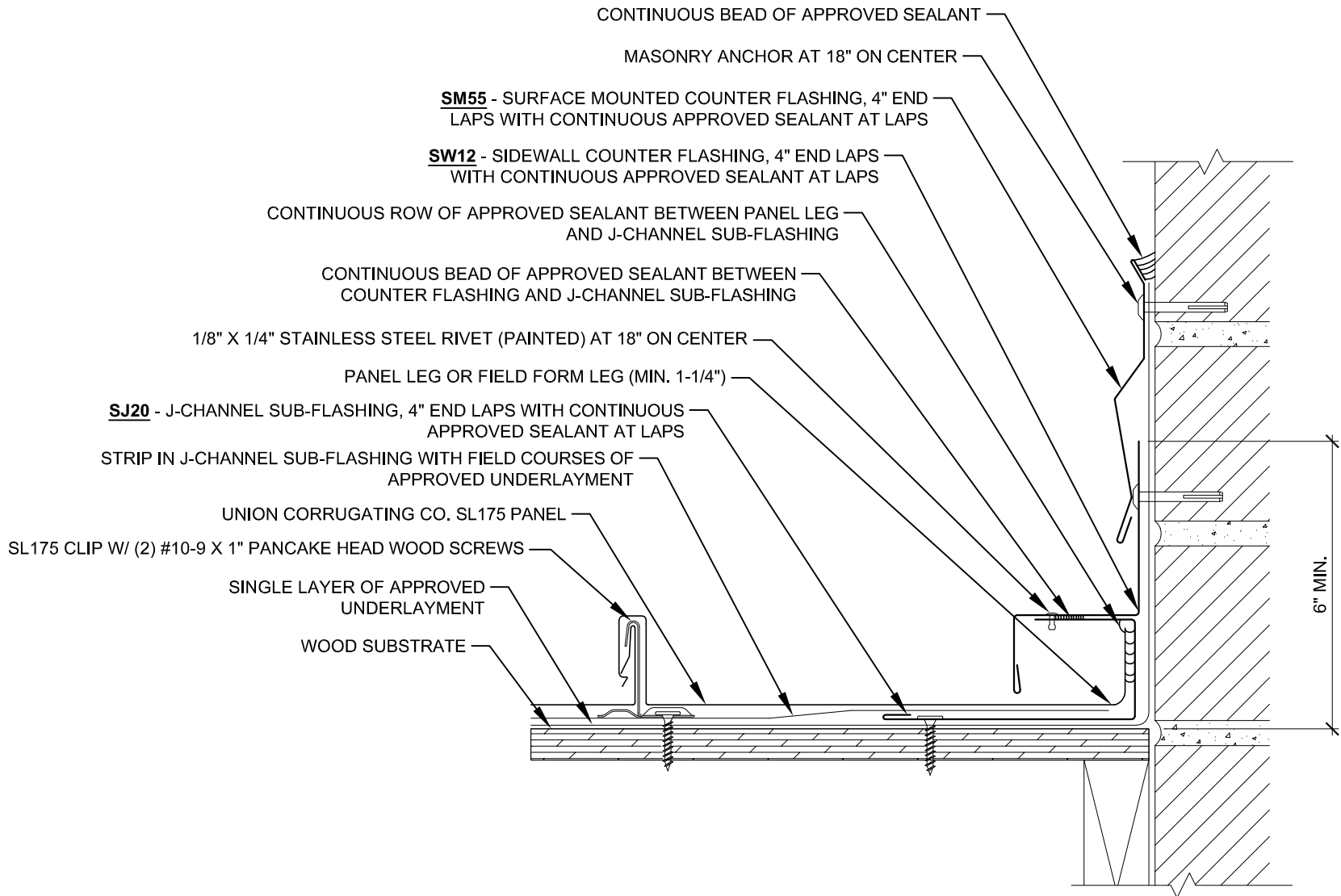
SL175-WS-7.21

Substrate:

WOOD SUBSTRATE

Project Name:

Location:

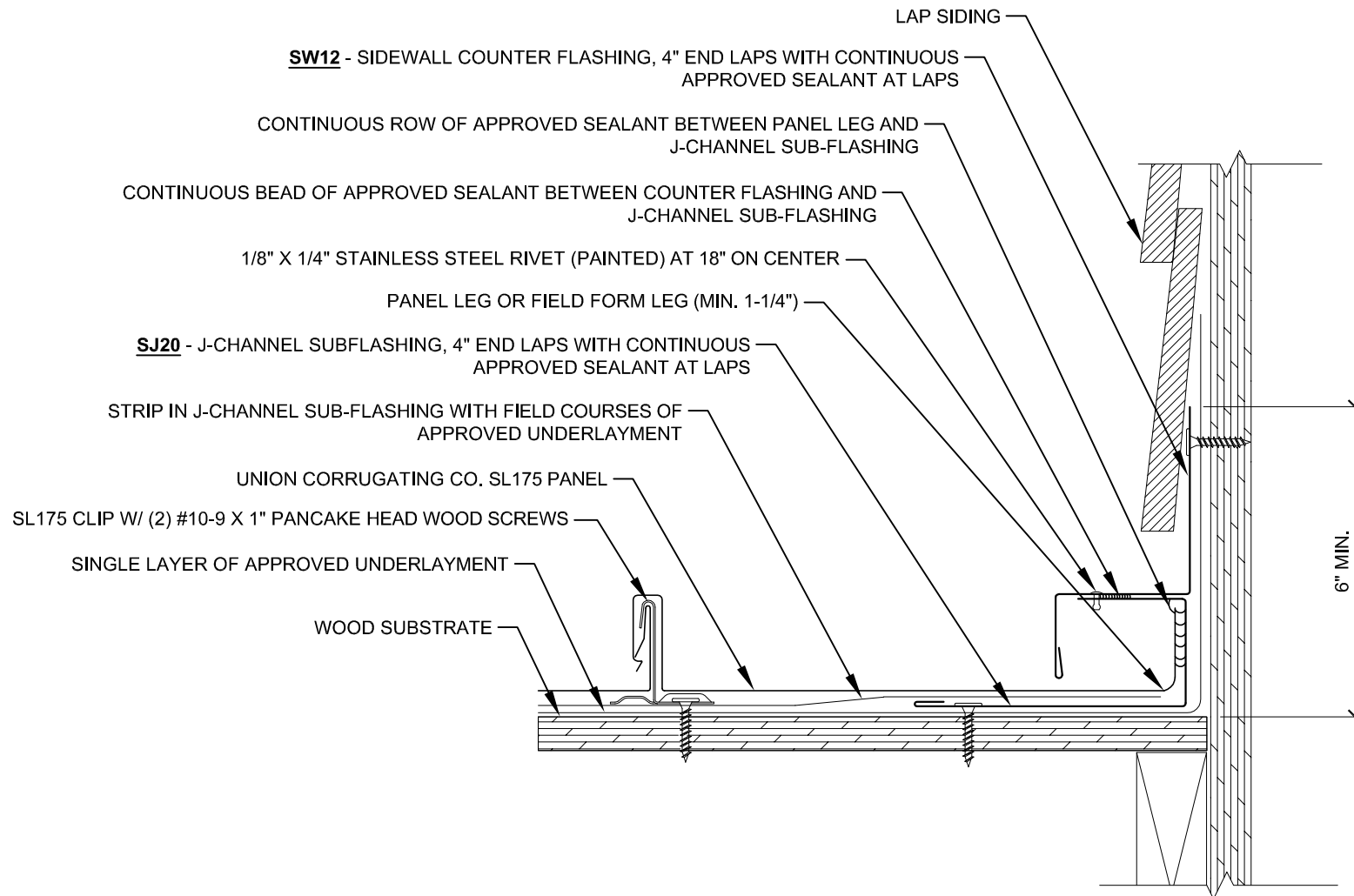


Description: **SIDEWALL DETAIL - SURFACE MOUNT**

Detail No.: **SL175-WS-7.22**

Substrate: **WOOD SUBSTRATE**

Project Name:  
Location:

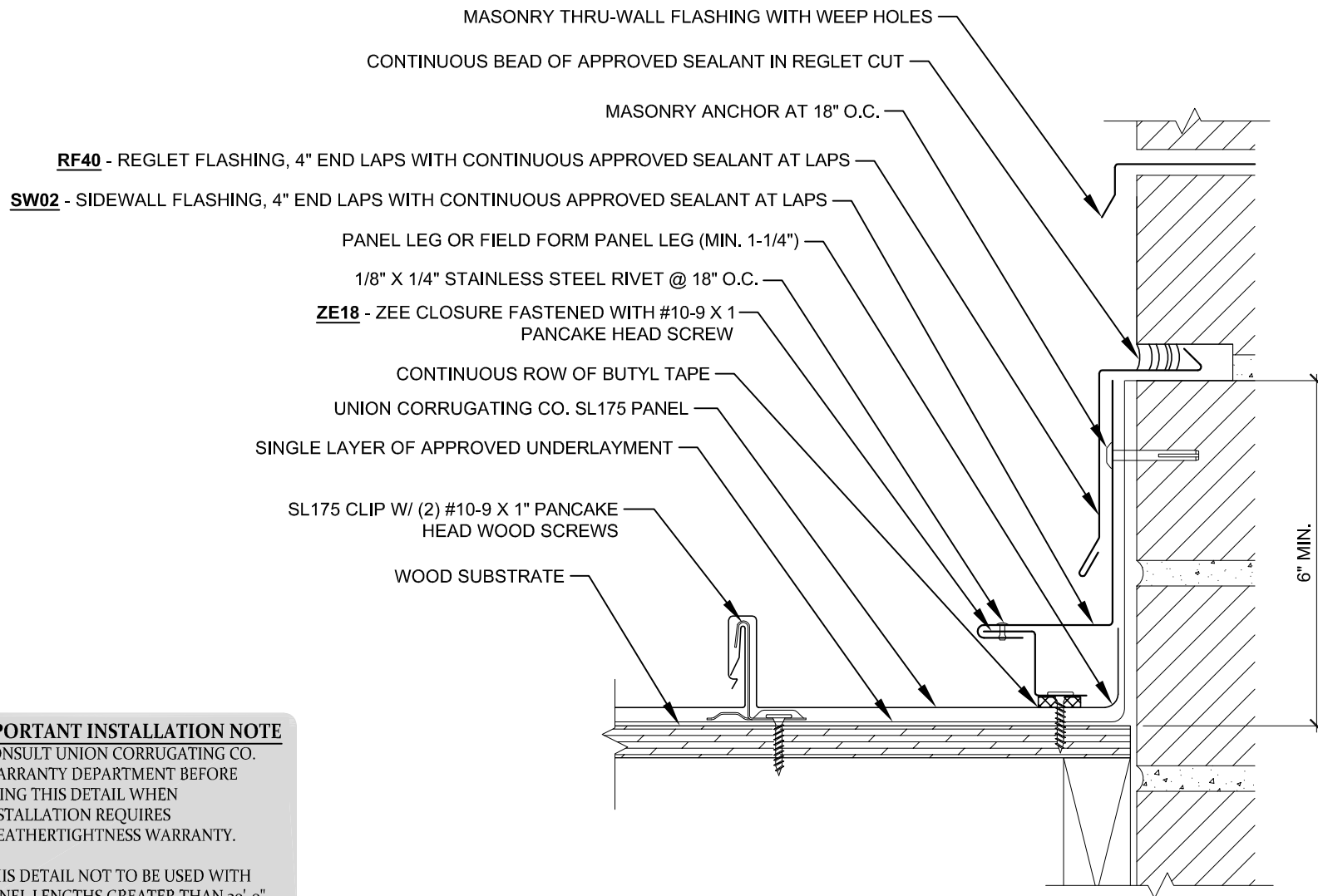


Description: **SIDEWALL DETAIL - WOOD FRAMING & SIDING**

Detail No.: **SL175-WS-7.23**

Substrate: **WOOD SUBSTRATE**

Project Name:  
Location:



**IMPORTANT INSTALLATION NOTE**

- CONSULT UNION CORRUGATING CO. WARRANTY DEPARTMENT BEFORE USING THIS DETAIL WHEN INSTALLATION REQUIRES WEATHERTIGHTNESS WARRANTY.
- THIS DETAIL NOT TO BE USED WITH PANEL LENGTHS GREATER THAN 30'-0".



Description:

**SIDEWALL W/ ZEE DETAIL - REGLET**

Detail No.:

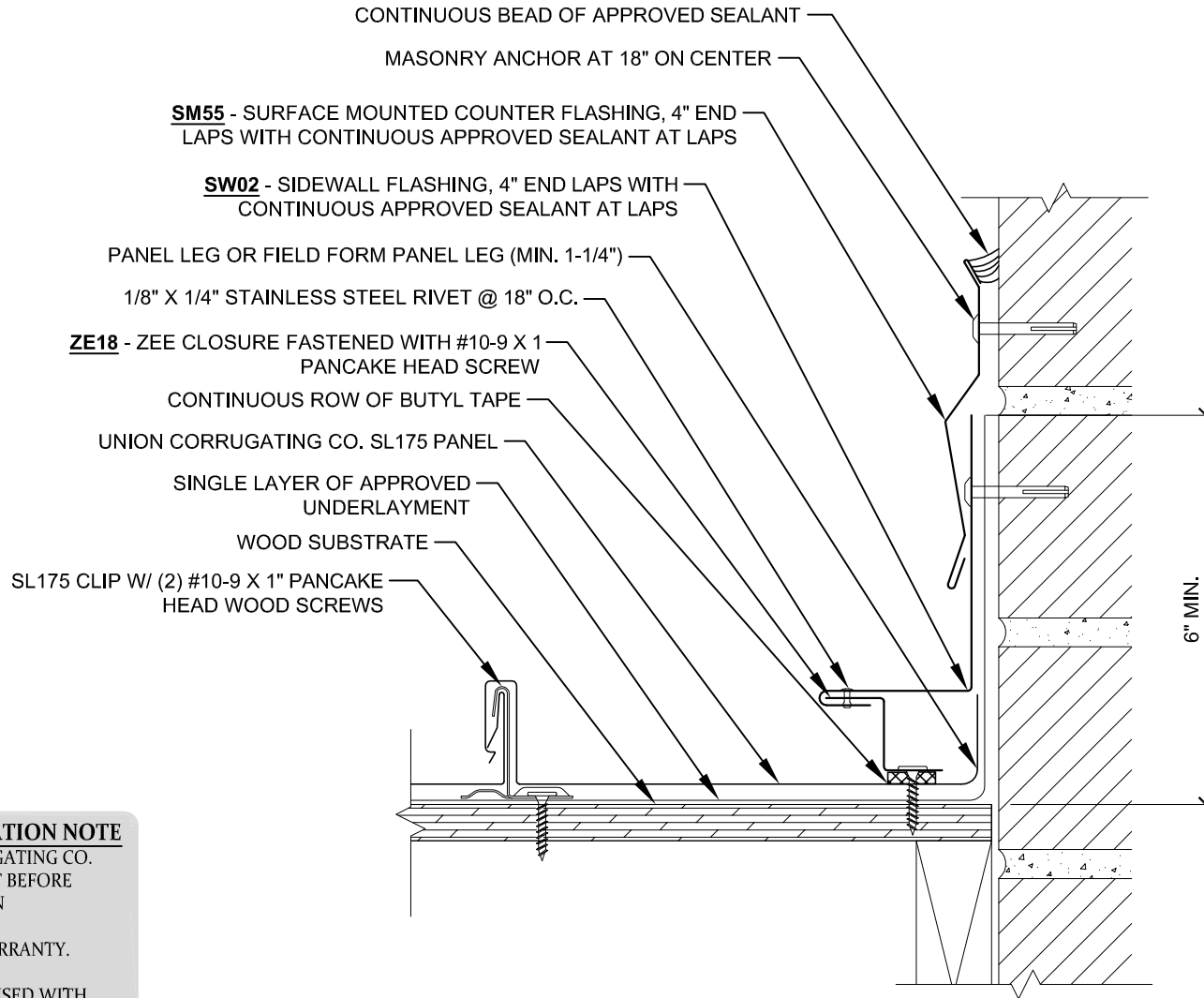
**SL175-WS-7.31**

Substrate:

**WOOD SUBSTRATE**

Project Name:

Location:



**IMPORTANT INSTALLATION NOTE**

- CONSULT UNION CORRUGATING CO. WARRANTY DEPARTMENT BEFORE USING THIS DETAIL WHEN INSTALLATION REQUIRES WEATHERTIGHTNESS WARRANTY.
- THIS DETAIL NOT TO BE USED WITH PANEL LENGTHS GREATER THAN 30'-0".



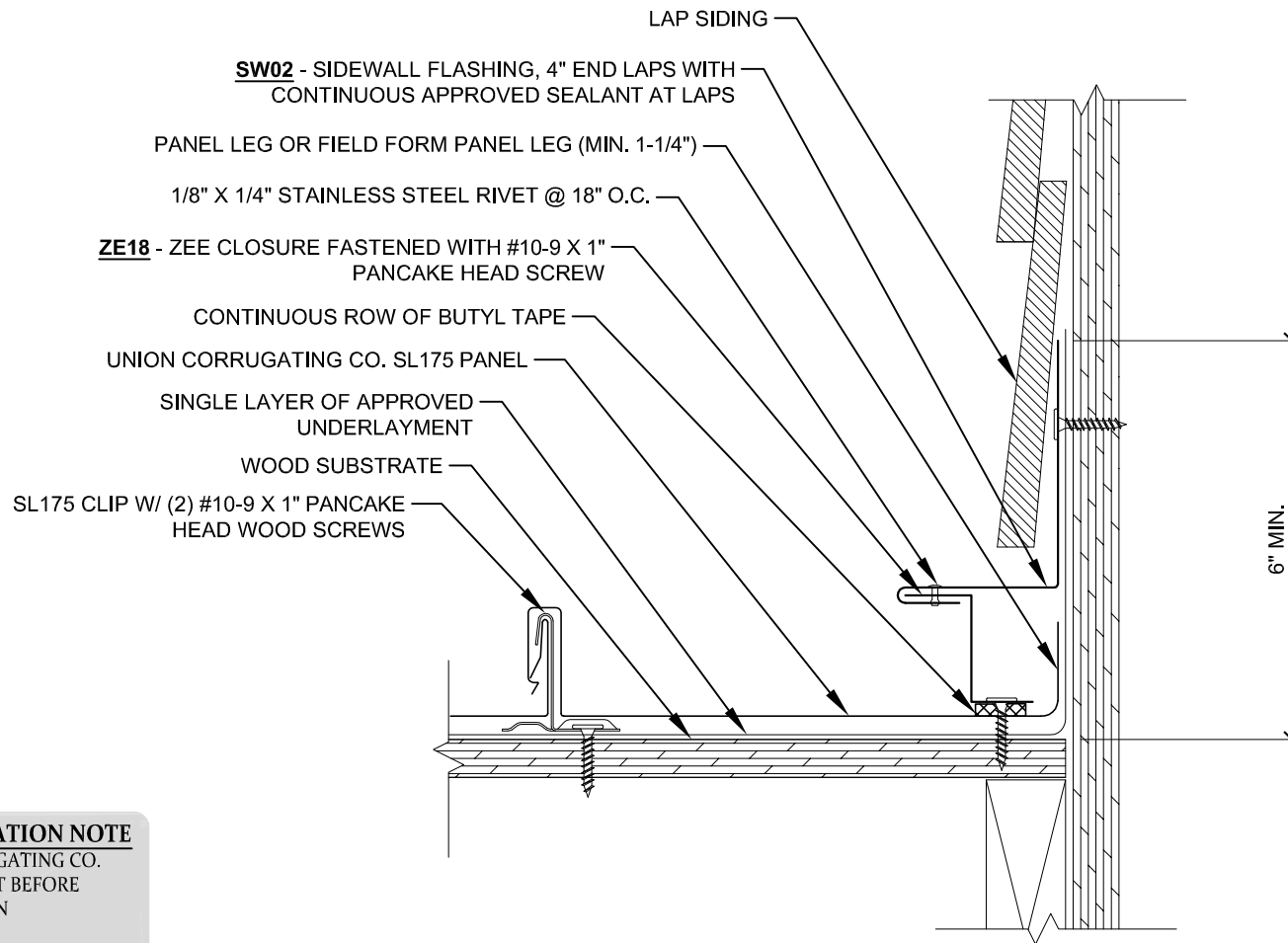
Description: **SIDEWALL W/ ZEE DETAIL - SURFACE MOUNT**

Detail No.: **SL175-WS-7.32**

Substrate: **WOOD SUBSTRATE**

Project Name:  
Location:





**IMPORTANT INSTALLATION NOTE**

- CONSULT UNION CORRUGATING CO. WARRANTY DEPARTMENT BEFORE USING THIS DETAIL WHEN INSTALLATION REQUIRES WEATHERTIGHTNESS WARRANTY.
- THIS DETAIL NOT TO BE USED WITH PANEL LENGTHS GREATER THAN 30'-0".



Description:

**SIDEWALL W/ ZEE - WOOD FRAMING & SIDING**

Detail No.:

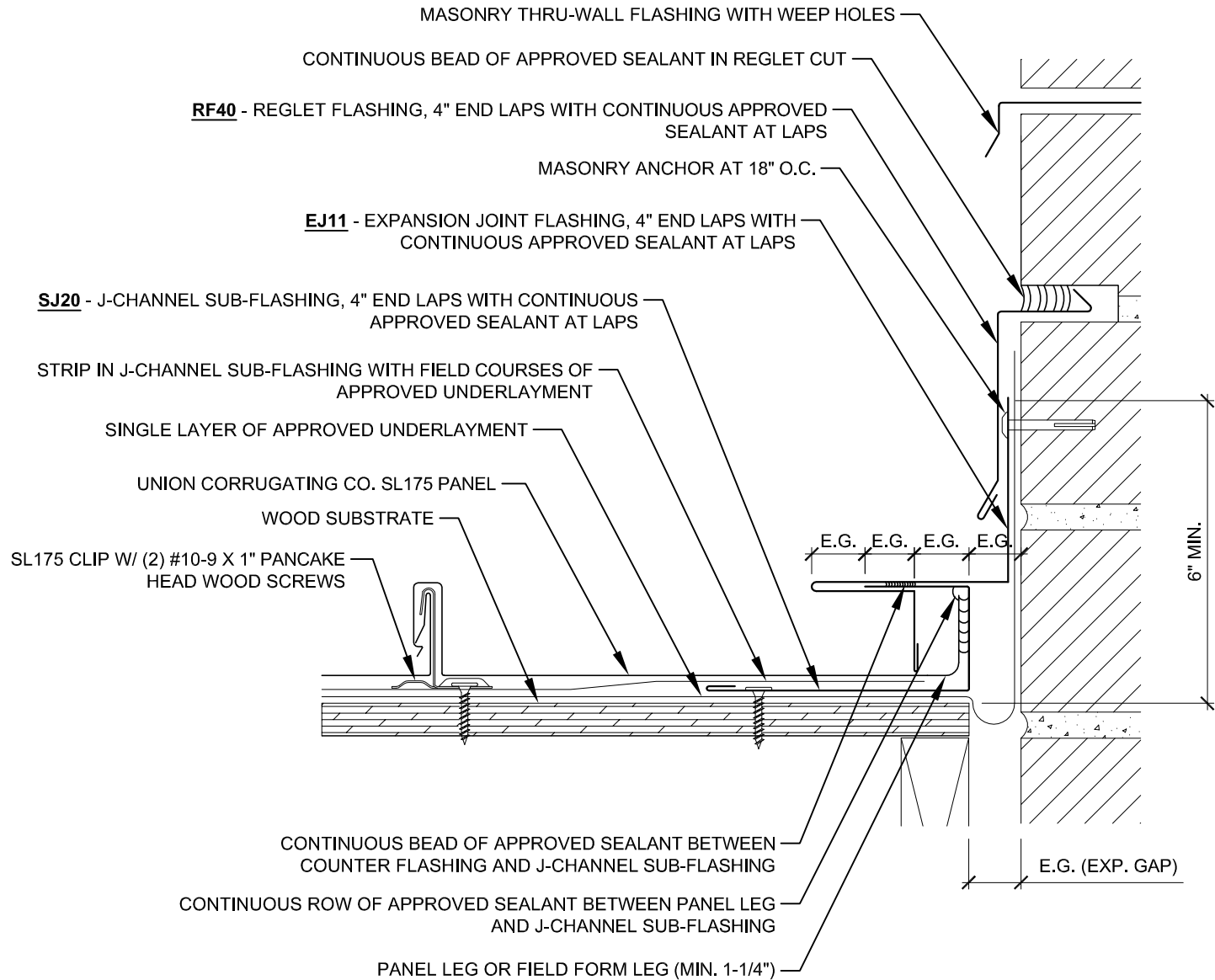
**SL175-WS-7.33**

Substrate:

**WOOD SUBSTRATE**

Project Name:

Location:



Description:

# SIDEWALL EXPANSION JOINT DETAIL

Detail No.:

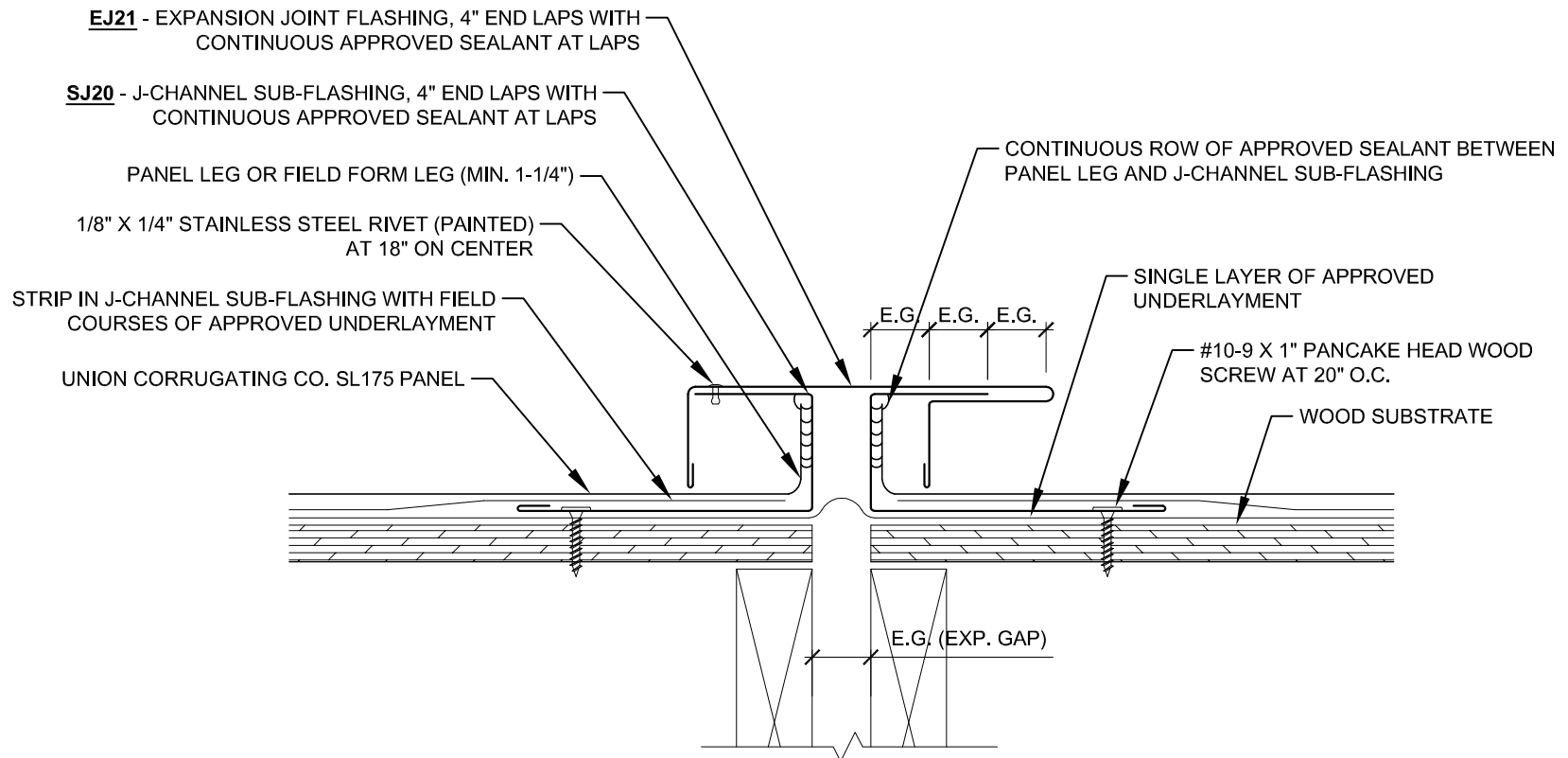
SL175-WS-7.40

Substrate:

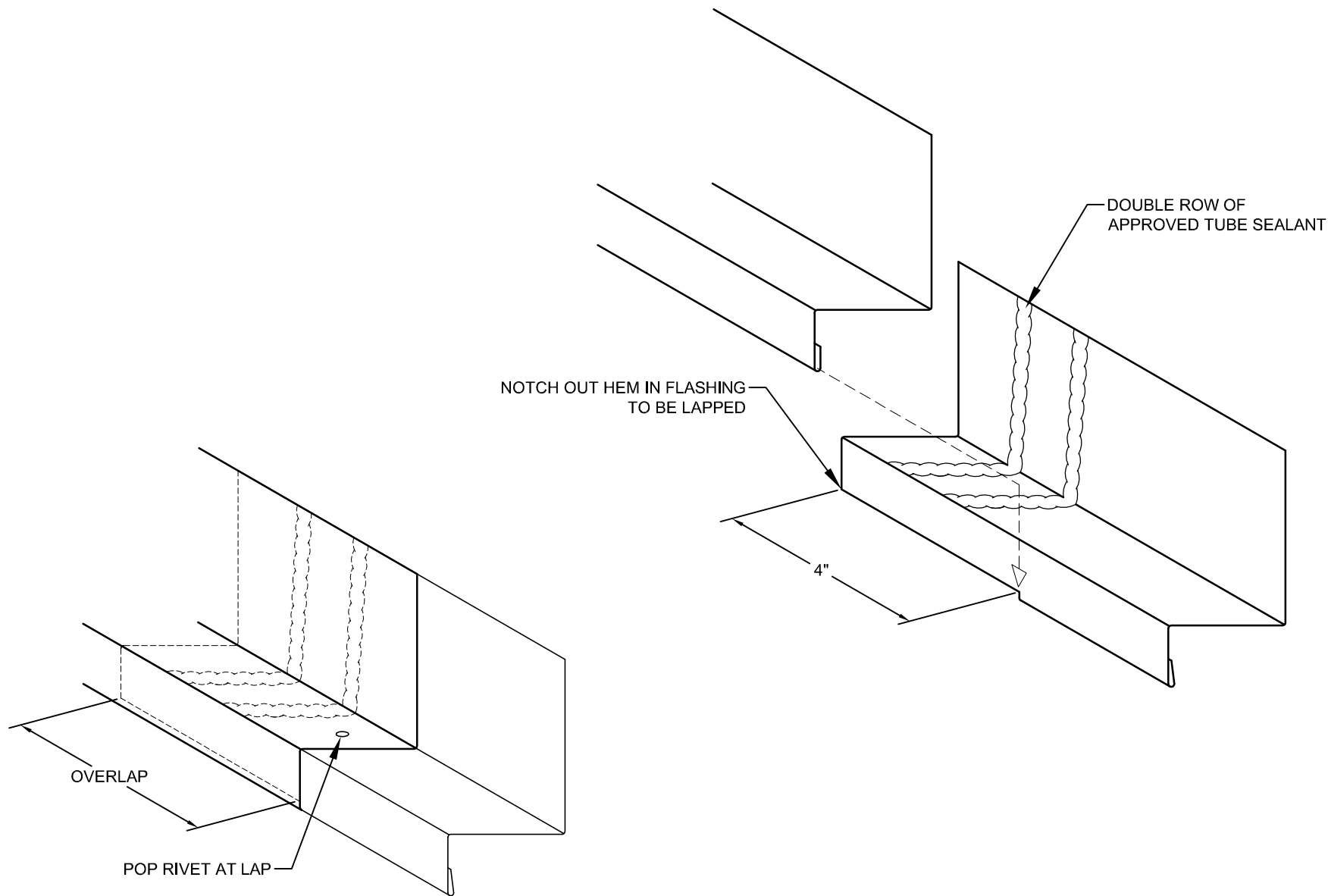
WOOD SUBSTRATE

Project Name:

Location:



Description:	<b>EXPANSION JOINT (MID-ROOF)</b>		Detail No.:	<b>SL175-WS-7.50</b>
	Substrate:	<b>WOOD SUBSTRATE</b>		
			Location:	



Description:

# SIDEWALL LAP DETAIL

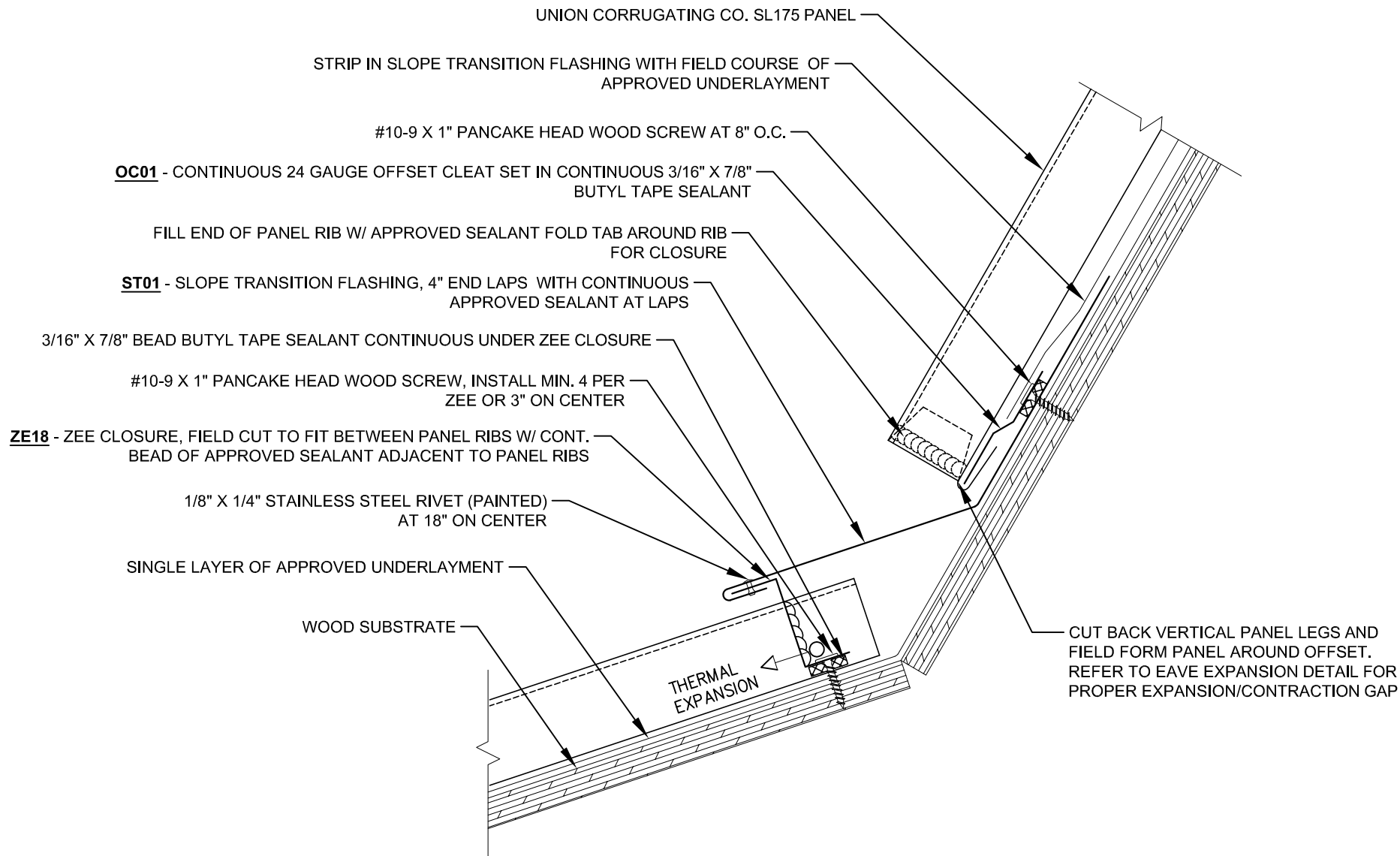
Detail No.:

SL175-7.90

Substrate:

Project Name:

Location:



Description:

## SLOPE TRANSITION DETAIL

Detail No.:

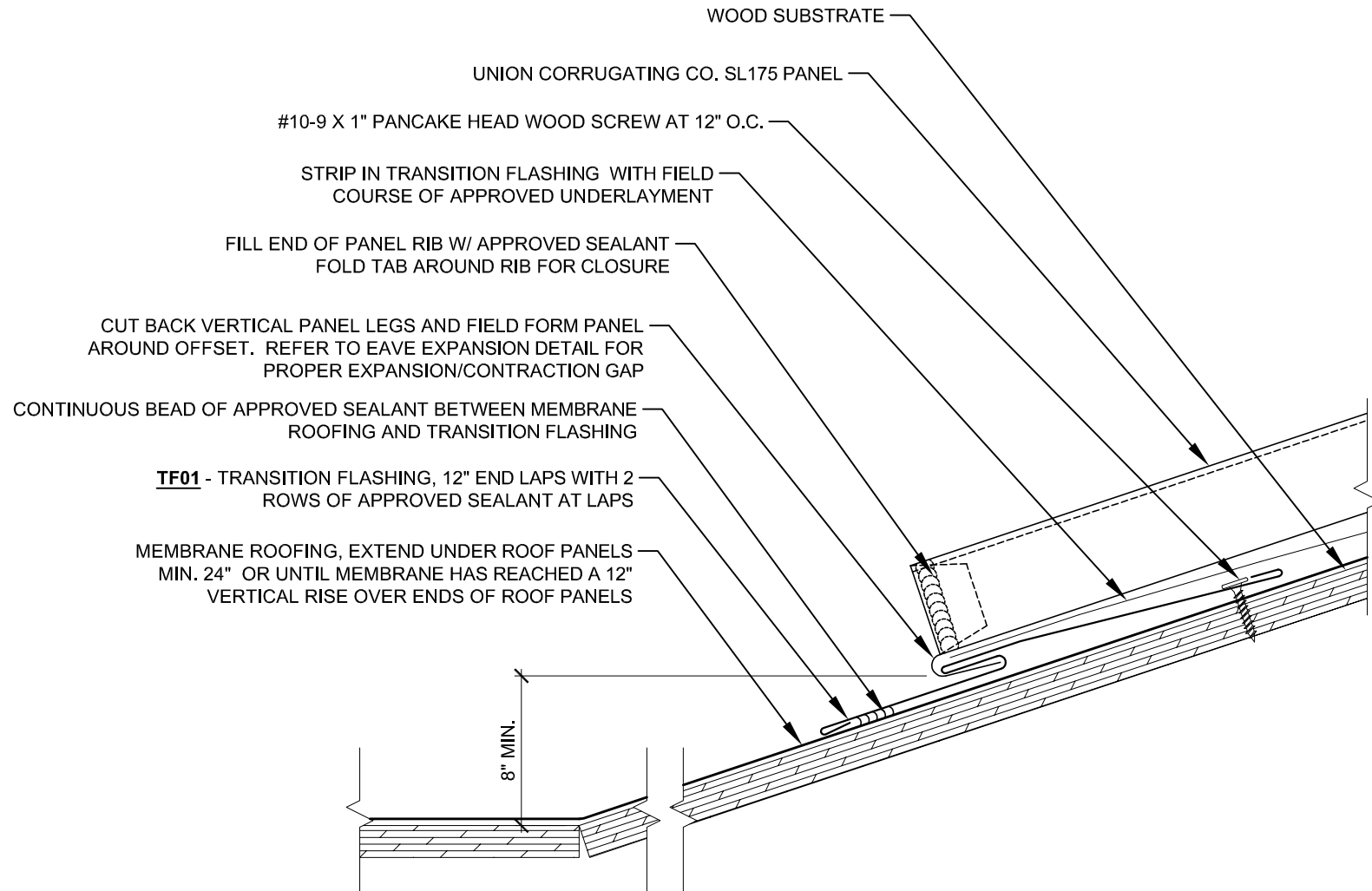
SL175-WS-8.10

Substrate:

WOOD SUBSTRATE

Project Name:

Location:



Description:

# TRANSITION AT MEMBRANE ROOFING

Detail No.:

SL175-WS-8.20

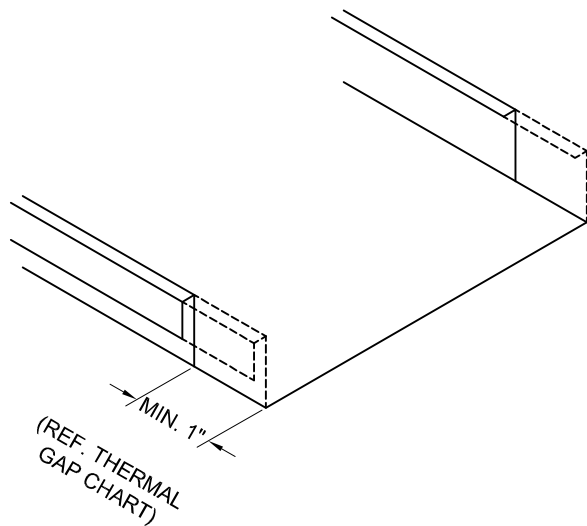
Substrate:

WOOD SUBSTRATE

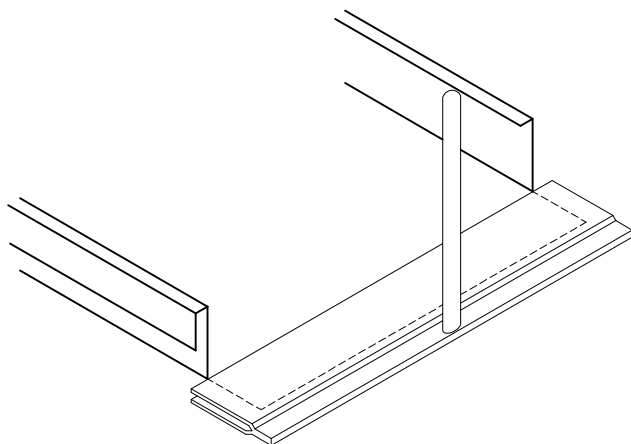
Project Name:

Location:

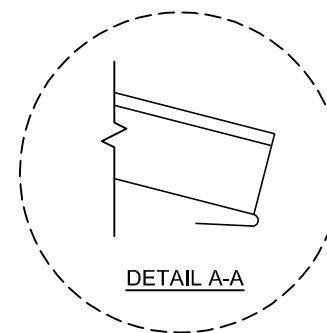
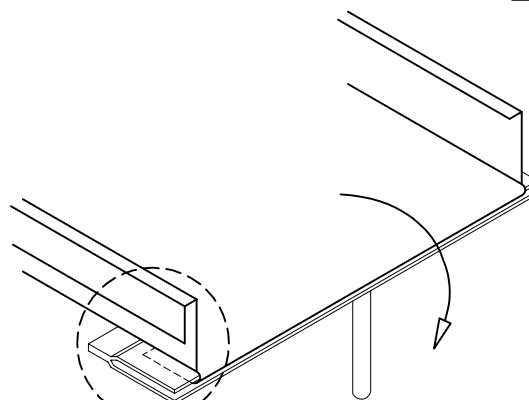
**STEP 1: FIELD NOTCH RIBS AND REMOVE**



**STEP 2: ENGAGE PANEL HEMMING TOOL OVER FLAT PART OF PANEL TO ACCEPT OFFSET CLEAT**



**STEP 3: BEND TO FORM OPEN HEM**



Description:

**FIELD HEMMING PANEL END**

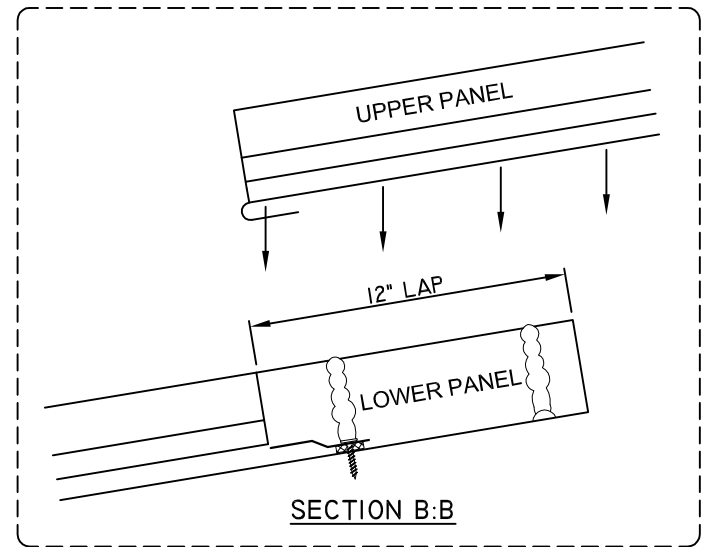
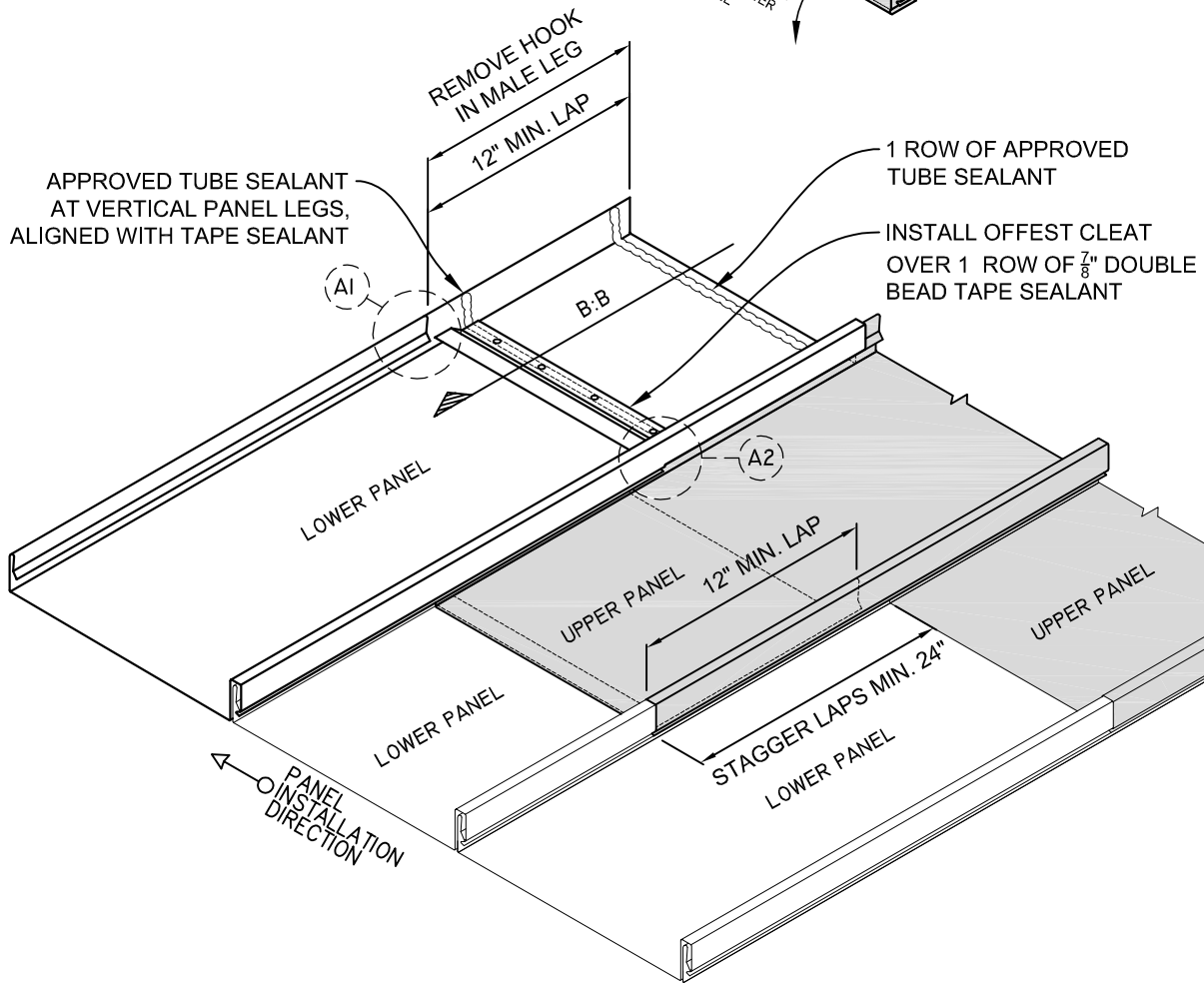
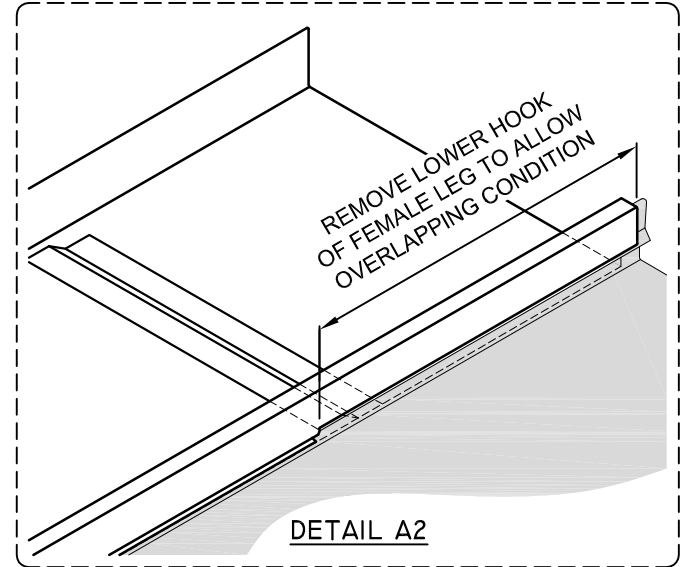
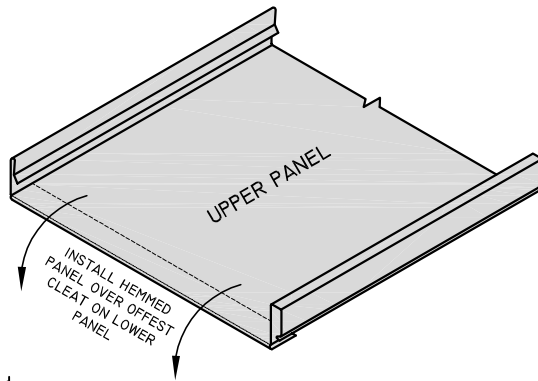
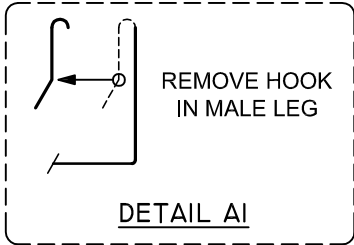
Detail No.:

**SL175-10.10**

Substrate:

Project Name:

Location:



Description:

PANEL LAP DETAIL - STEEP SLOPE

Detail No.:

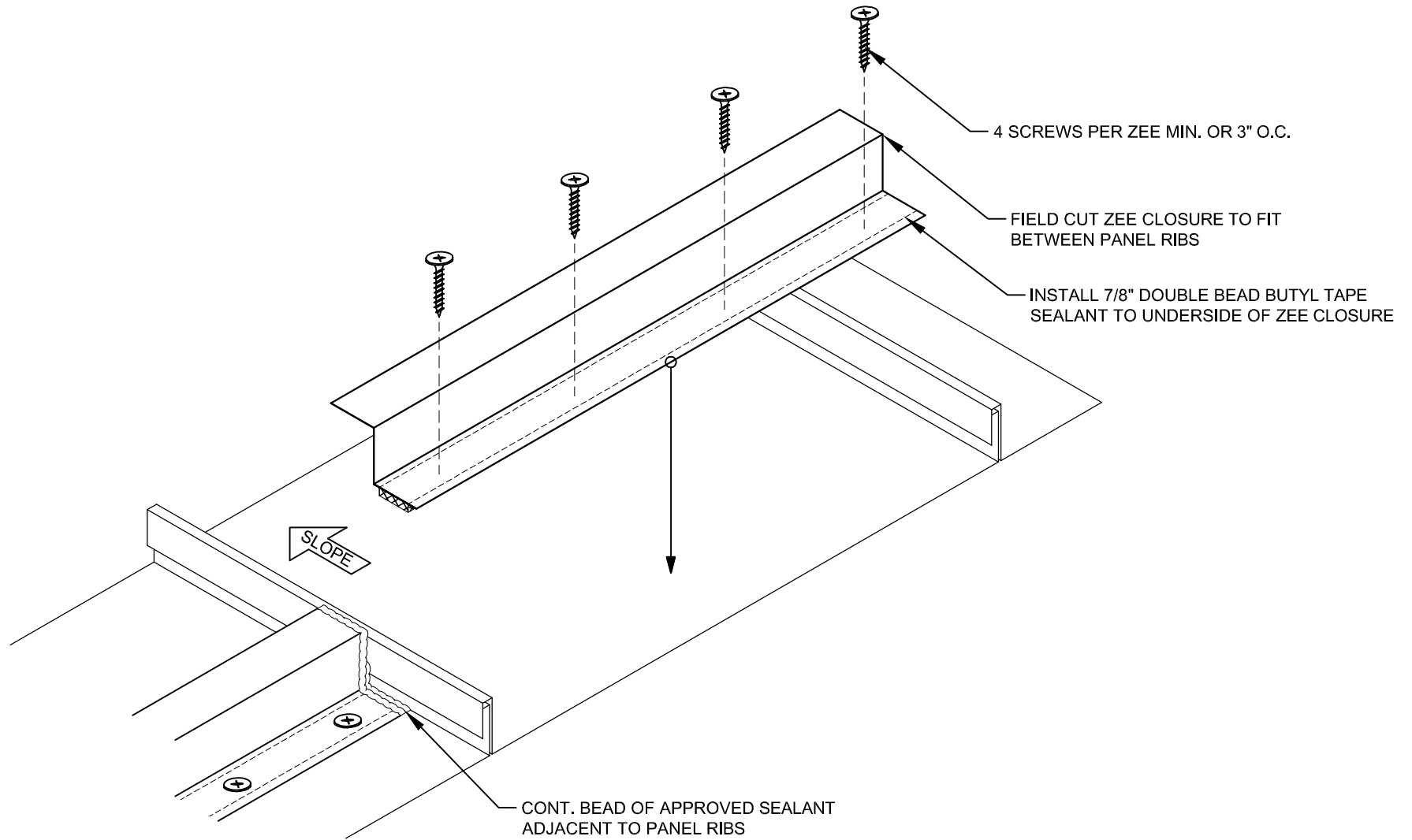
SL175-LAP-10.15

Substrate:

Project Name:

Location:





Description:

# ZEE CLOSURE INSTALLATION

Detail No.:

SL175-10.20

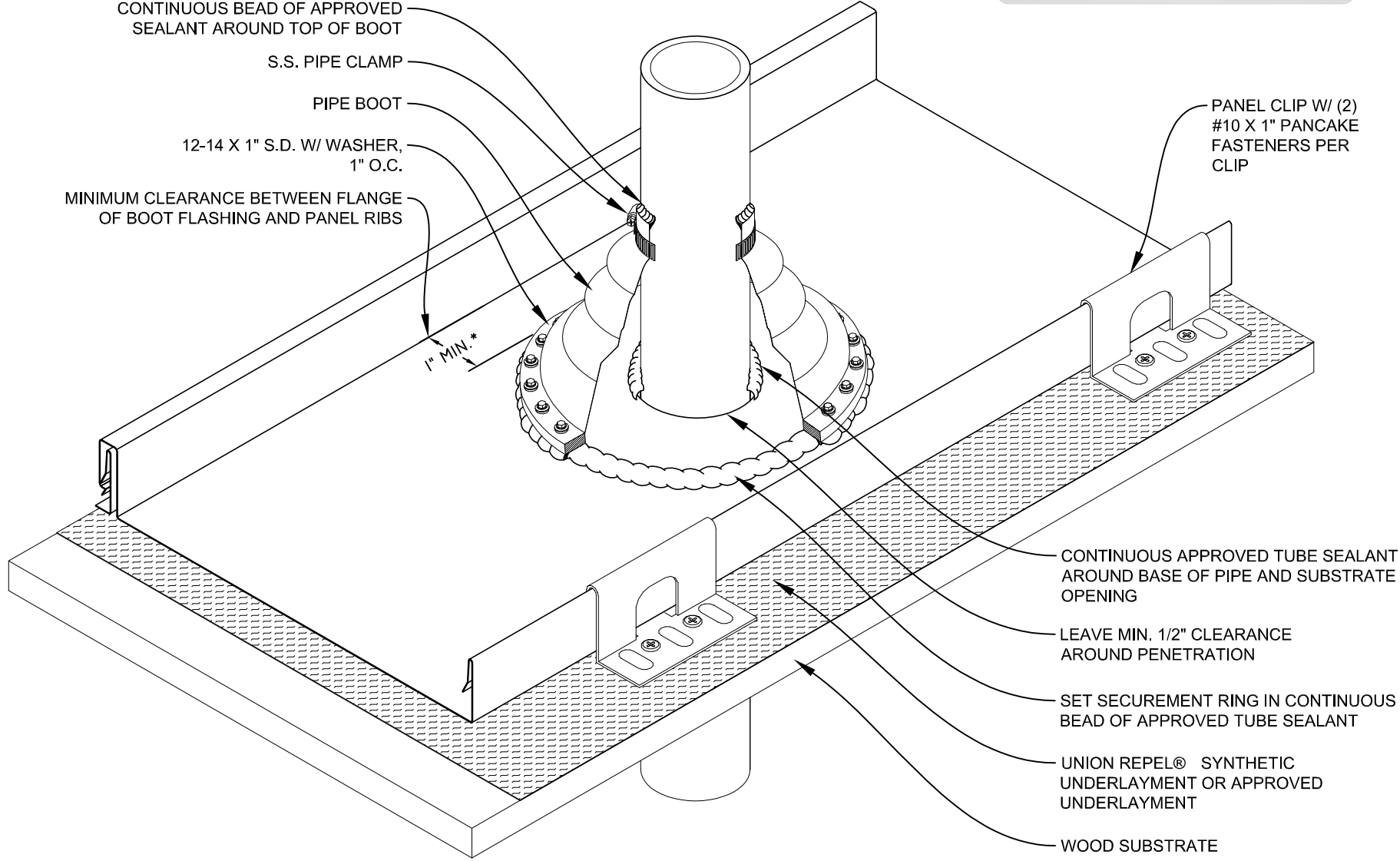
Substrate:

Project Name:

Location:

**IMPORTANT INSTALLATION NOTE**

WHEN BOOT SIZE EXCEEDS MINIMUM CLEARANCE OF 1", REFER TO CURB DETAILS.



Description: **PIPE PENETRATION**

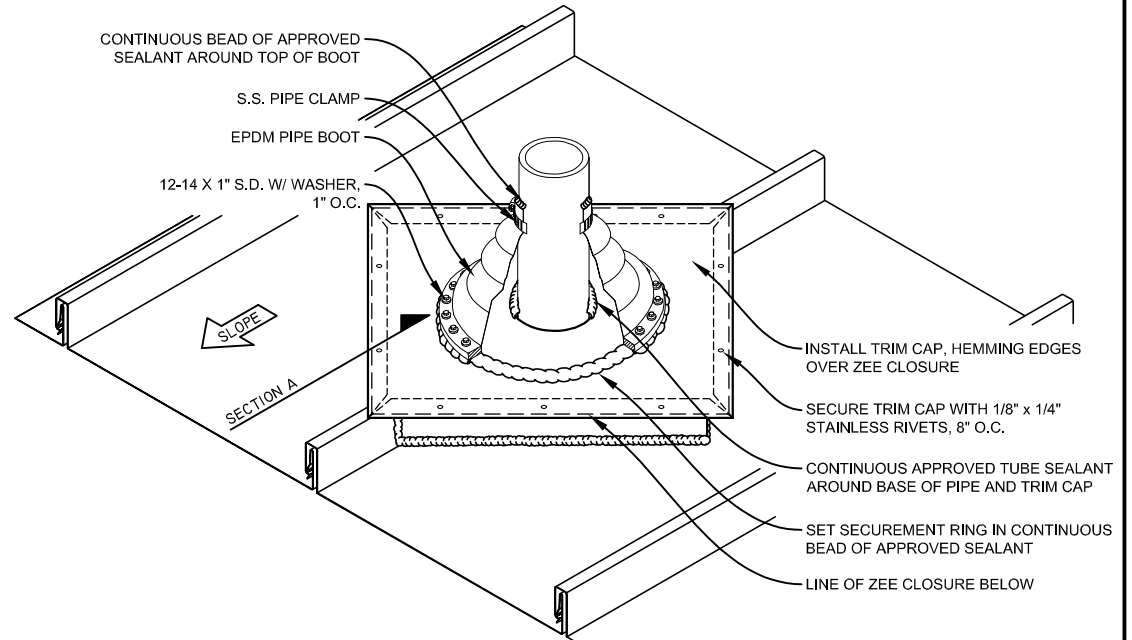
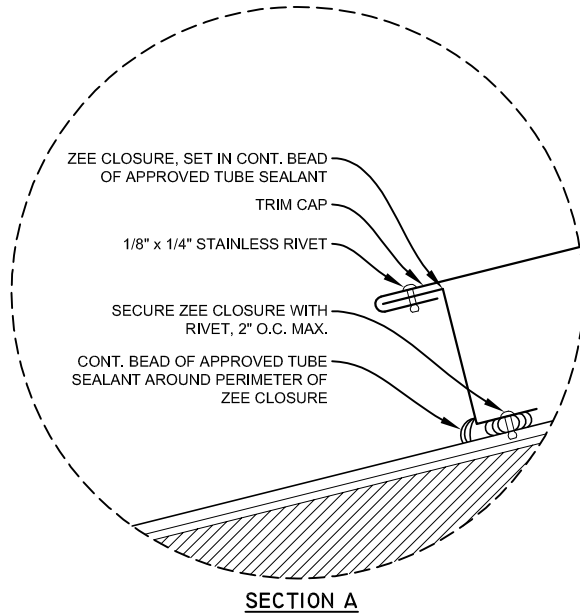
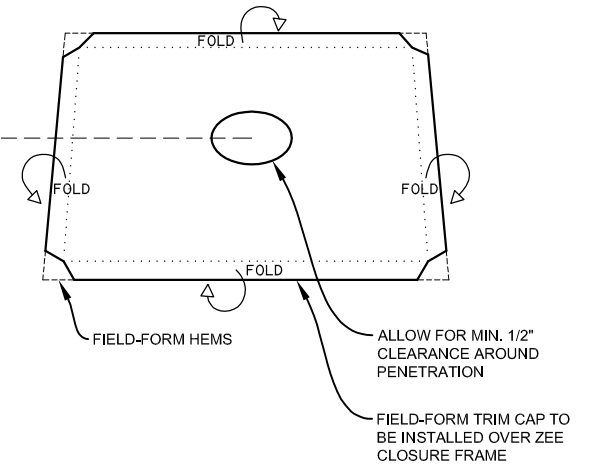
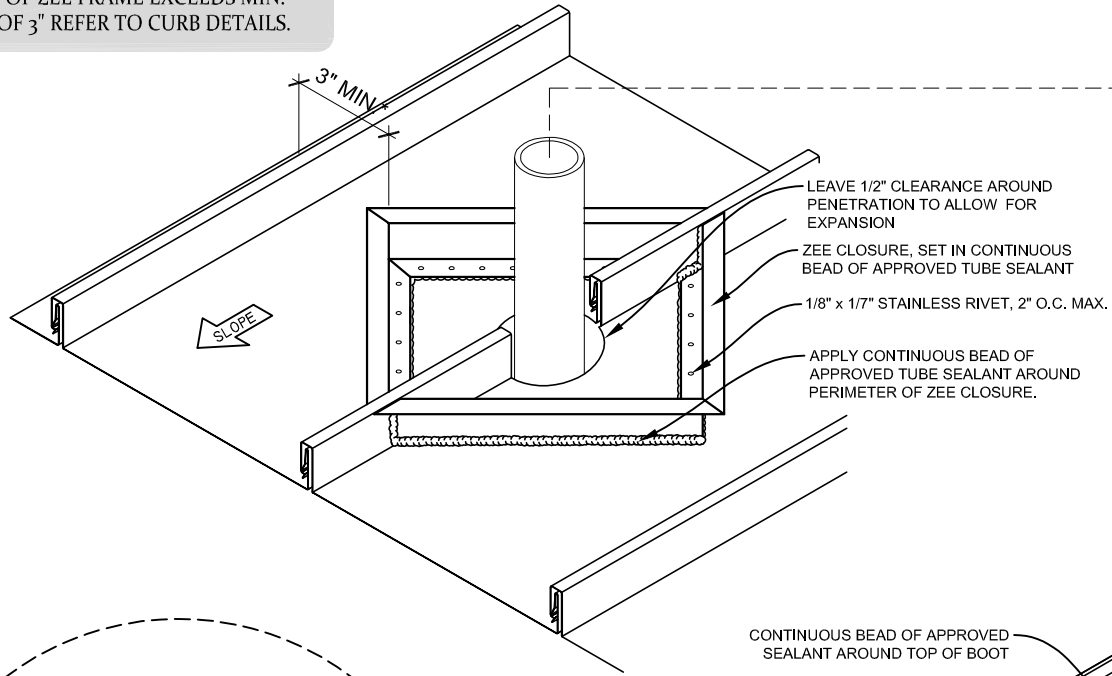
Detail No.: **SL175-10.30**

Substrate: **WOOD SUBSTRATE**

Project Name:  
Location:

**IMPORTANT INSTALLATION NOTE**

\*WHEN BASE OF ZEE FRAME EXCEEDS MIN. CLEARANCE OF 3" REFER TO CURB DETAILS.



Description:

**PIPE PENETRATION THROUGH PANEL RIB**

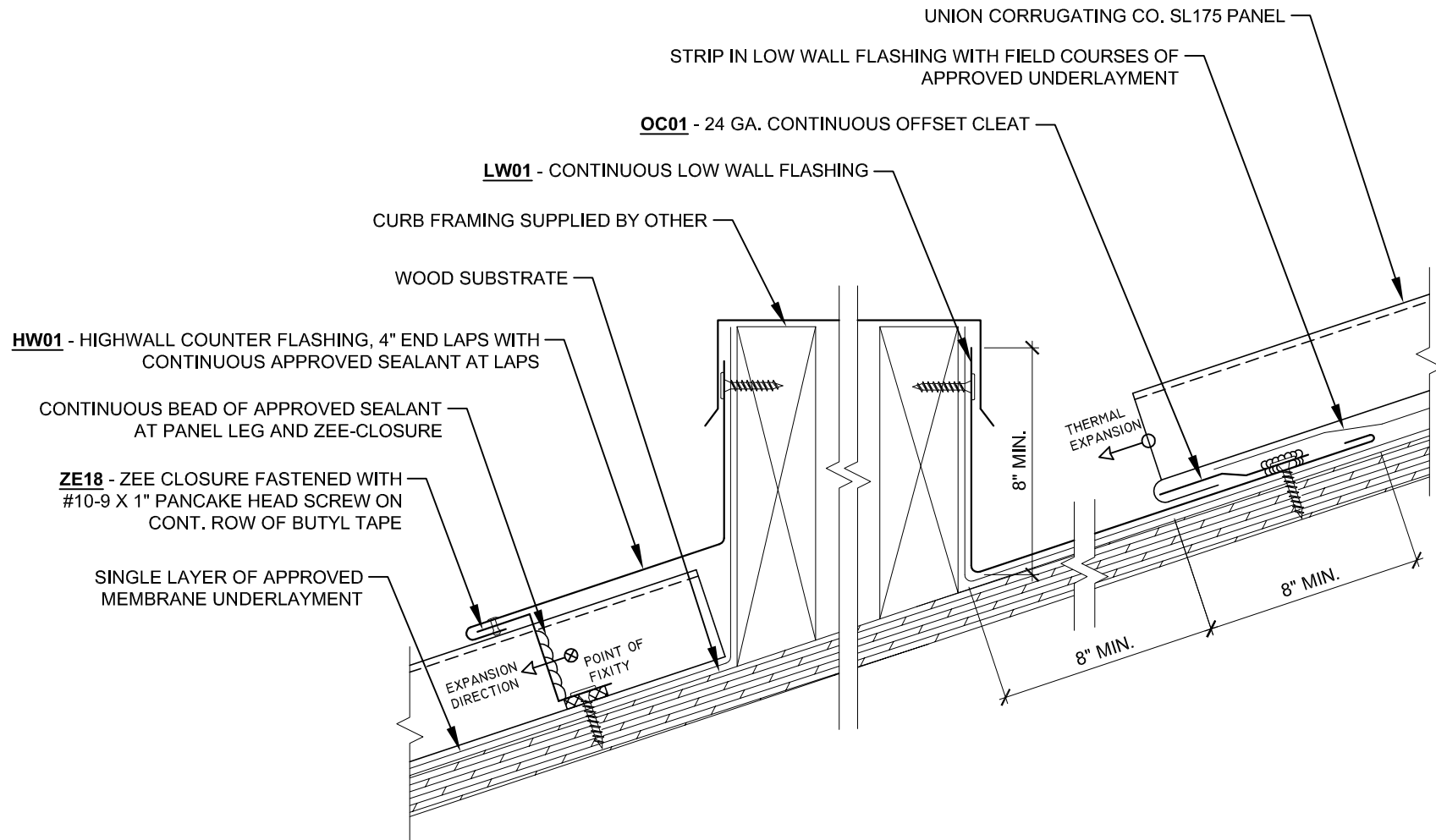
Detail No.:

**SL175-10.31**

Substrate:

Project Name:

Location:



Description: **LOW WALL & HIGHWALL @ SQUARE PENETRATION**

Detail No.: **SL175-WS-10.40**

Substrate: **WOOD SUBSTRATE**

Project Name:  
Location:

**SW02** - SIDEWALL COUNTER FLASHING, 4" END LAPS  
WITH CONTINUOUS APPROVED SEALANT AT LAPS

PANEL LEG OR FIELD FORM PANEL LEG (MIN. 1-1/4")

**ZE18** - ZEE CLOSURE FASTENED WITH  
#10-9 X 1" PANCAKE HEAD SCREW

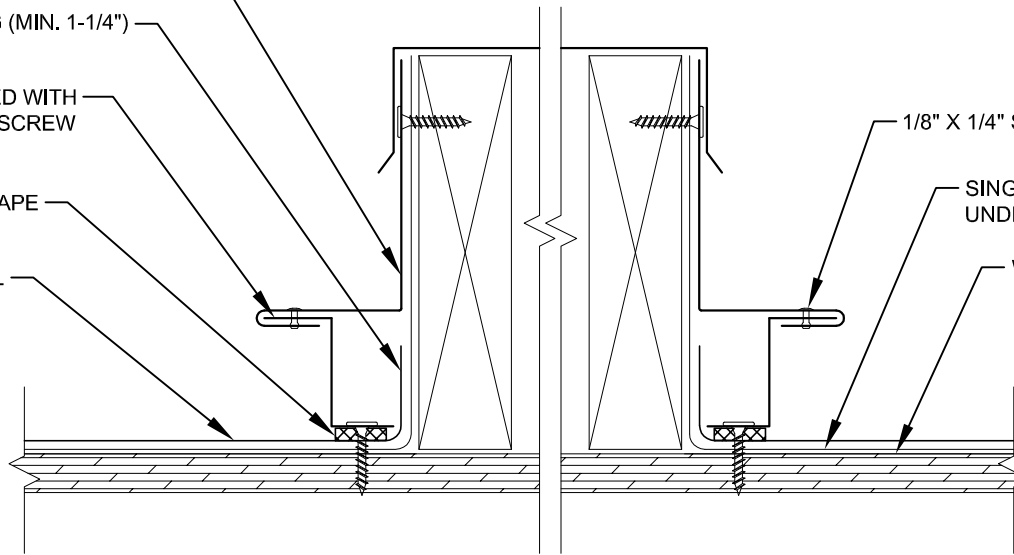
CONTINUOUS ROW OF BUTYL TAPE

UNION CORRUGATING CO. PANEL

1/8" X 1/4" STAINLESS STEEL RIVET

SINGLE LAYER OF APPROVED  
UNDERLAYMENT

WOOD SUBSTRATE



Description:

**SIDEWALL @ SQUARE PENETRATION**

Detail No.:

**SL175-WS-10.41**

Substrate:

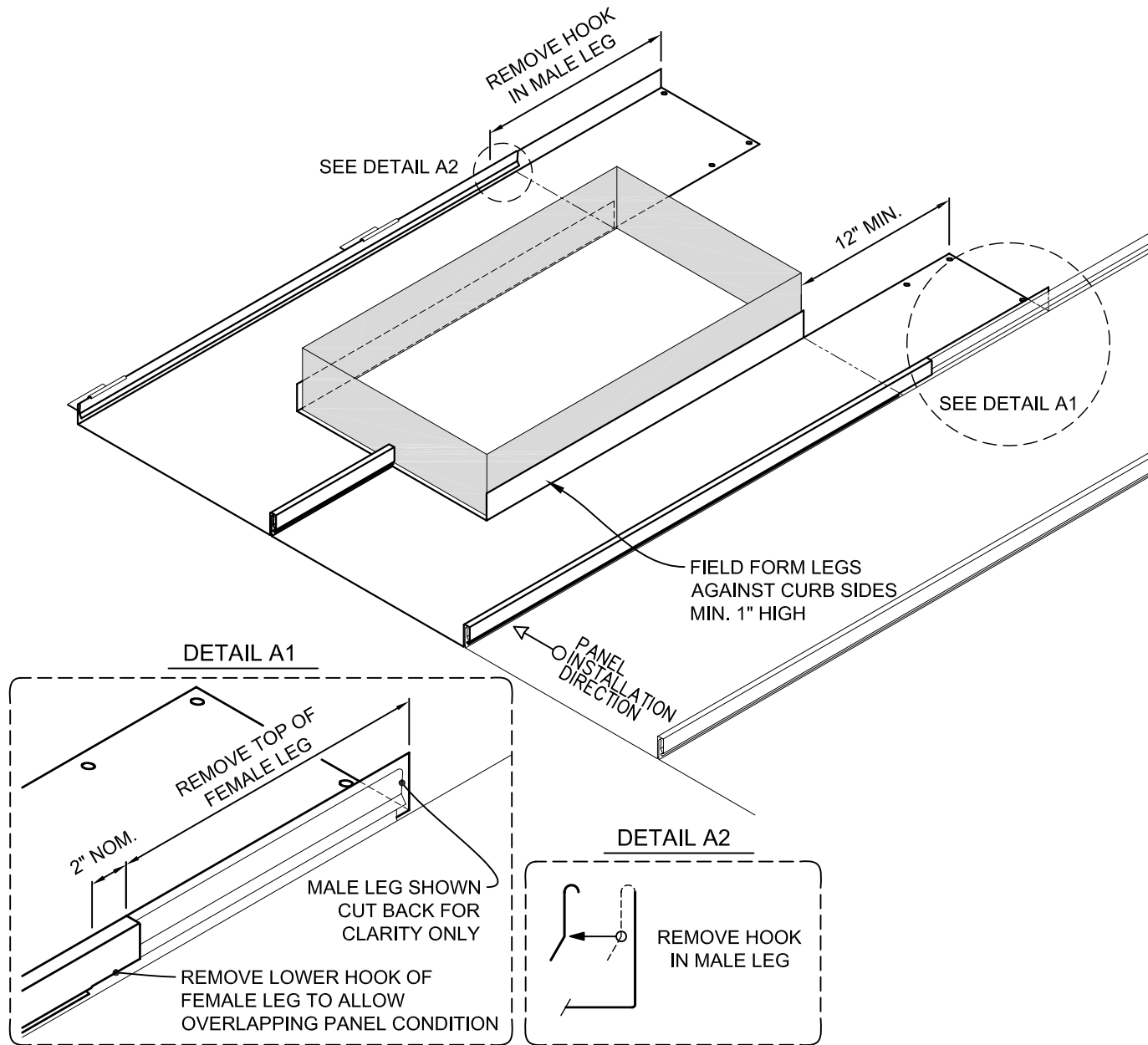
**WOOD SUBSTRATE**

Project Name:

Location:

# STEP I

INSTALL PANELS  
AROUND CURB.



Description:

## SL175 CURB DETAILS - STEP I

Detail No.:

SL175-CRB: 1 of 6

Substrate:

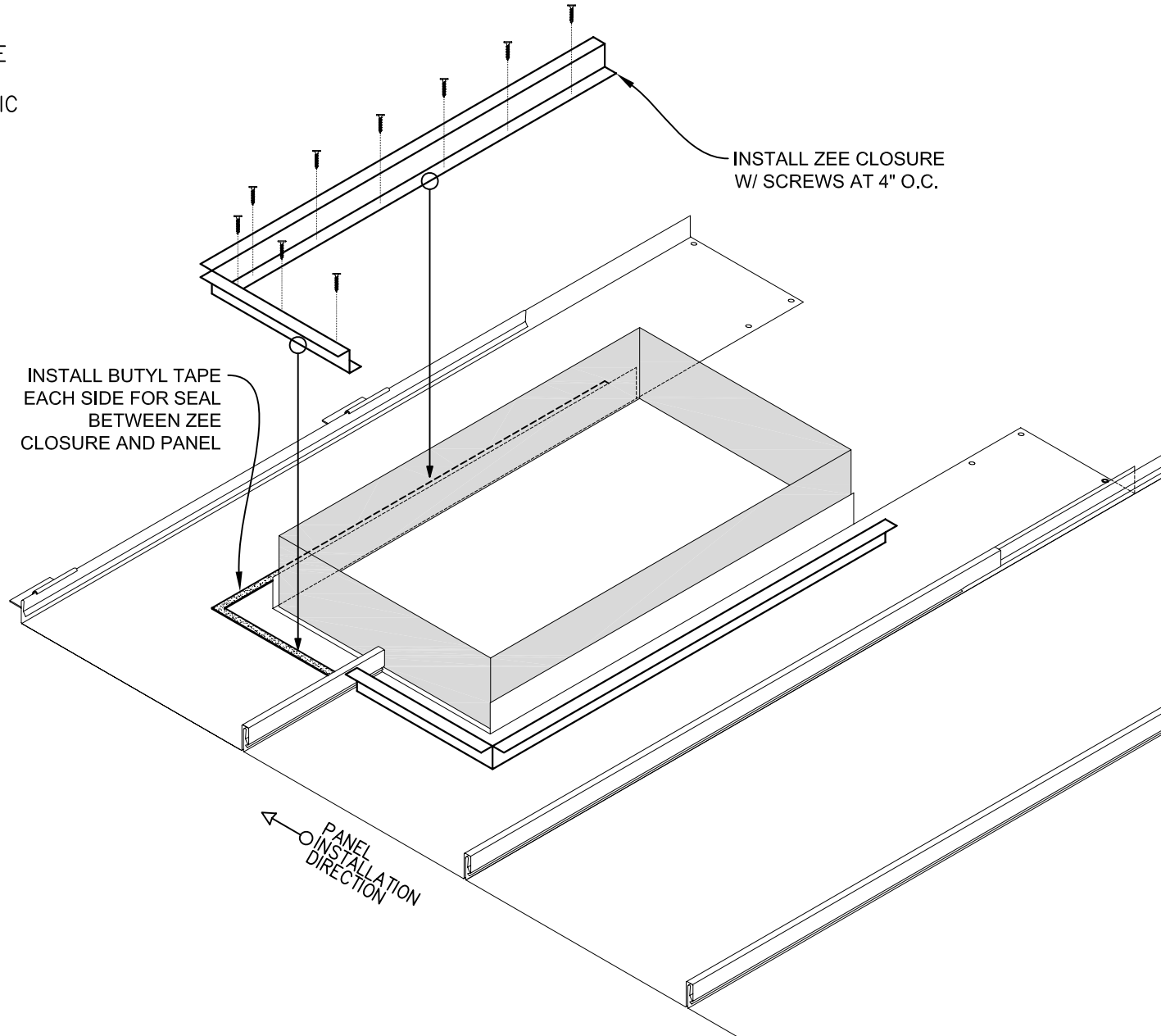
GENERAL INFORMATION

Project Name:

Location:

# STEP 2

APPLY ZEE CLOSURE  
FLASHING OVER  
DOUBLE BEAD MASTIC



Description:

## SL175 CURB DETAILS - STEP 2

Detail No.:

SL175-CRB: 2 of 6

Substrate:

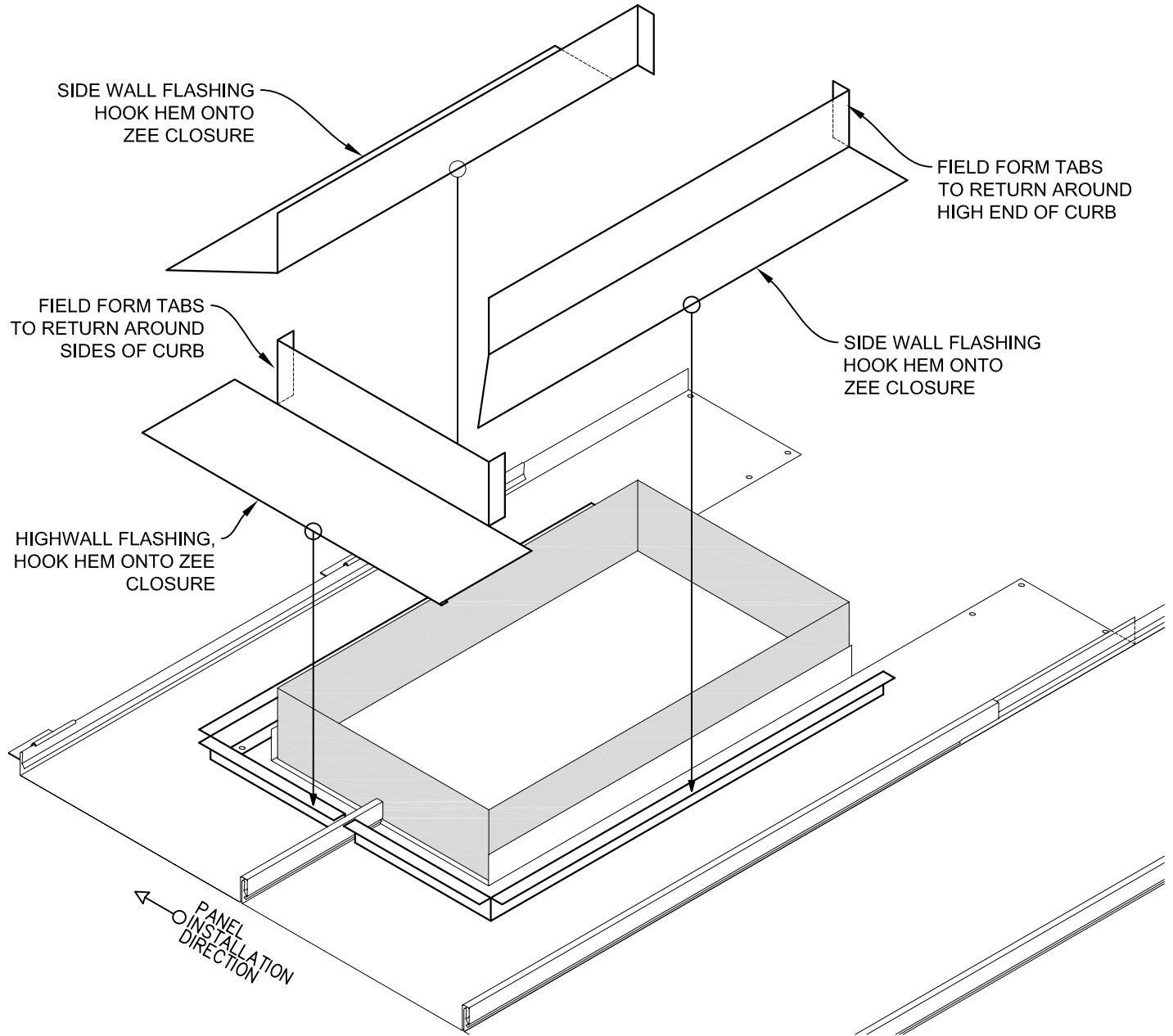
GENERAL INFORMATION

Project Name:

Location:

# STEP 3

INSTALL SIDEWALL  
AND HIGH WALL FLASHINGS  
ATOP ZEE CLOSURE.



Description:

## SL175 CURB DETAILS - STEP 3

Detail No.:

SL175-CRB: 3 of 6

Substrate:

GENERAL INFORMATION

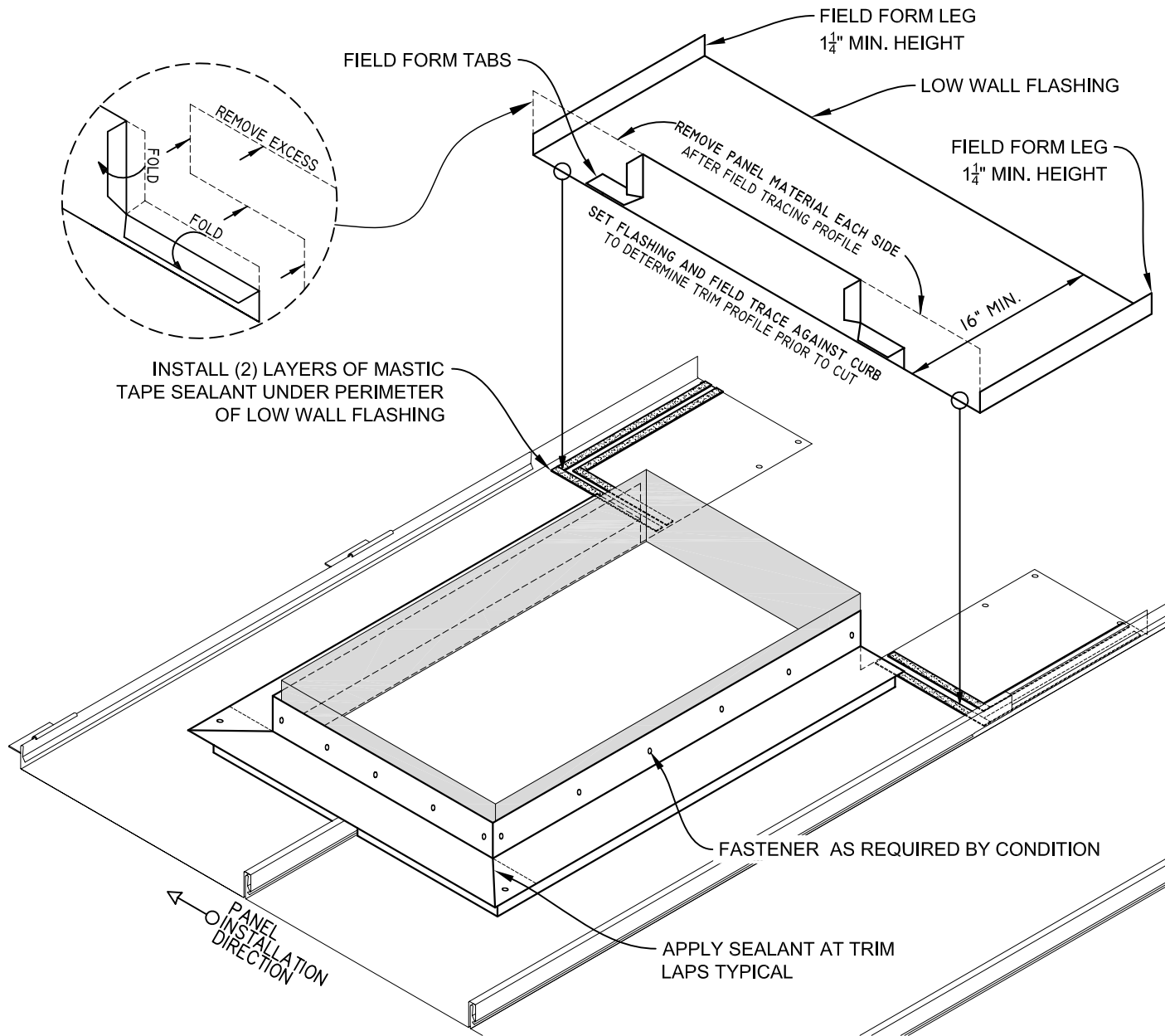
Project Name:

Location:



# STEP 4

INSTALL LOW WALL FLASHING



Description:

## SL175 CURB DETAILS - STEP 4

Detail No.:

SL175-CRB: 4 of 6

Substrate:

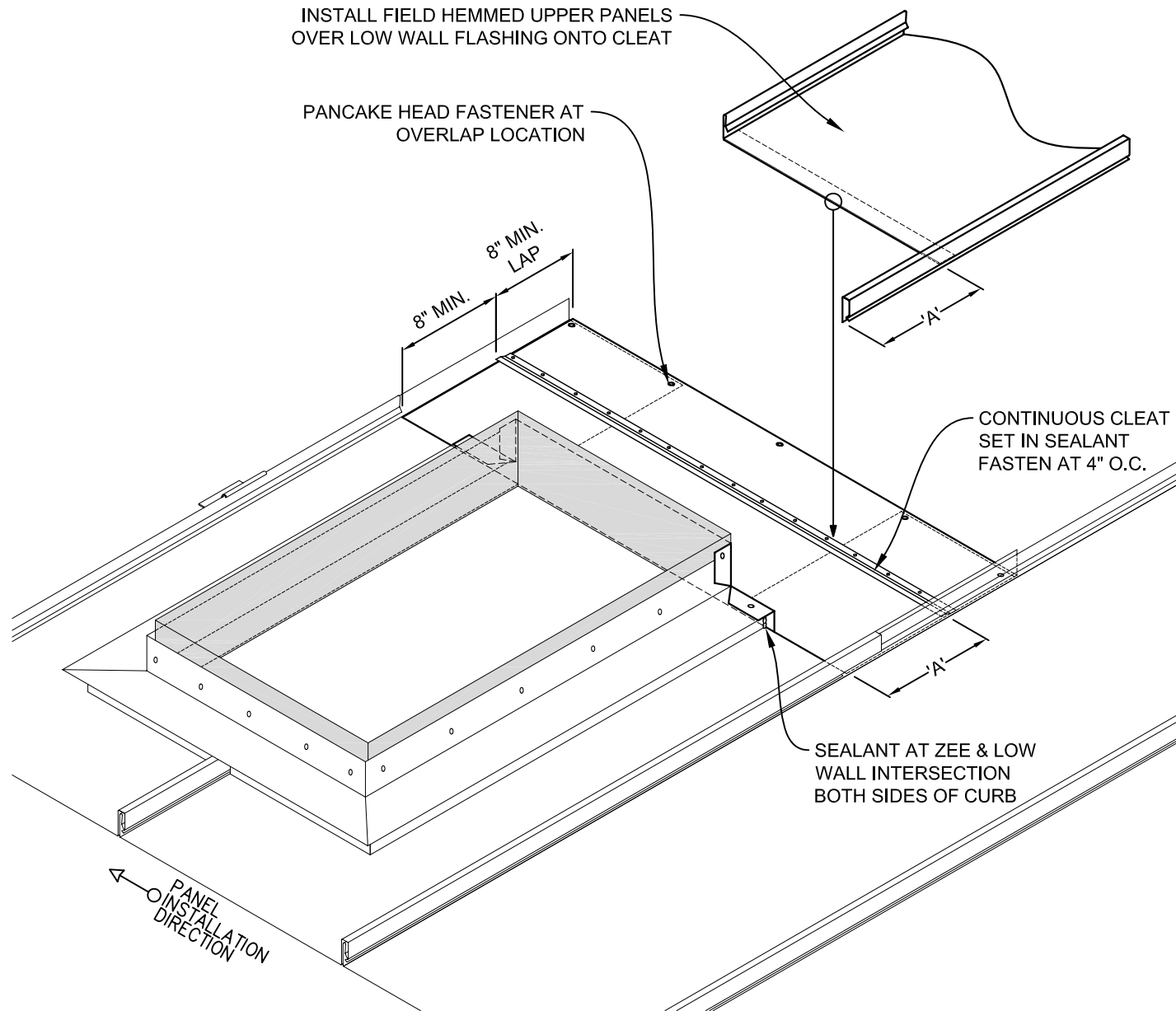
GENERAL INFORMATION

Project Name:

Location:

# STEP 5

INSTALL CLEAT AND  
PREPARE FOR UPPER  
PANEL INSTALLATION.



Description:

## SL175 CURB DETAILS - STEP 5

Detail No.:

SL175-CRB: 5 of 6

Substrate:

GENERAL INFORMATION

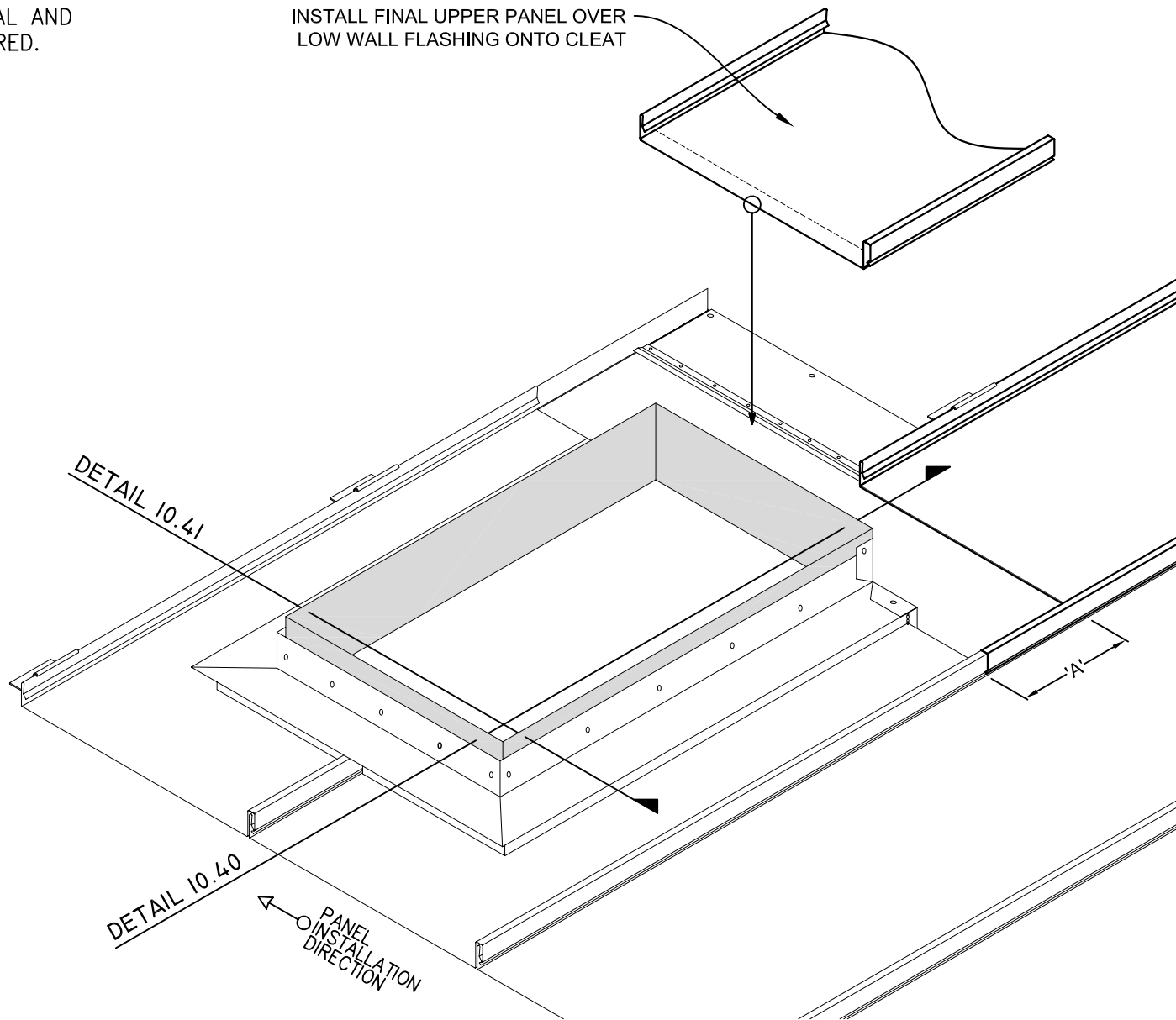
Project Name:

Location:

# STEP 6

INSTALL FINAL SEAL AND FASTEN AS REQUIRED.

INSTALL FINAL UPPER PANEL OVER LOW WALL FLASHING ONTO CLEAT



Description:

## SL175 CURB DETAILS - STEP 6

Detail No.:  
SL175-CRB: 6 of 6

Substrate:

GENERAL INFORMATION

Project Name:

Location: