

Product Report

Manufacturer: Union Corrugating

701 S. King Street  
Fayetteville, NC 28301  
(910) 483-2725

Florida Product Approval # 9443

Category: Metal Roofing

Compliant with Florida Building Code 2020

Compliant with Florida Product Approval Rule # 61G20-3

Compliant Quality Assurance Program: Keystone

ASCE 7-16 COMPLIANT

SnapLock Standing Seam Panel 24GA

Standing Seam Roof

HVHZ

16" wide panel 50 ksi 1-1/2" rib height

Material: 24GA Steel: ASTM A792 coated with Valspar Fluoropon or ASTM A653 G90 in compliance with FBC Substrate:

1) For HVHZ construction, use 19/32" or greater APA plywood or wood plank. In reroofing applications where the deck is less than 19/32" thick (min. 15/32") the attachment of the decking in no case shall be less than 8D annual ring shank nails at 6" o.c.

2) For NON-HVHZ applications, use min. 15/32" think, APA Rated plywood over supports at max. 24" o.c.

Design of plywood and plywood supports are outside the scope of this evaluation.

Roof Panel Clip: 1500SNS Fixed, 18GA, 3 1/2" Long Roof Panel Clip Fasteners: Corrosion Resistant Fastener (2)

#12-11 x 1" Pancake Type A, 1/8" min. penetration through

plywood Underlayments: See Chapter 1507, Chart 1507

Design Pressure**:	Clip Spacing:	Fasteners Per Clip:
-86.0 PSF	24" O.C.	2
-108.5 PSF	12" O.C.	2
-116.0 PSF	6" O.C.	2

Reference Data:

Force Engineering & Testing (TST-5328)

#72-0108T-07

TAS 125-03: UL 580-94<sup>1</sup>/1897-98<sup>2</sup> Uplift

Farabaugh Engineering & Testing (TST-1654)

#T107-07

Test TAS 100-95

Metal Forming owns the test report and authorized the manufacturer to use test report.

TAS 110-00: Valspar Fluoropon coated metal panel testing

Equivalence: 1. UL 580-94 is equivalent to UL 580-06 test standard. 2. UL 1897-98 is equivalent to UL 1897-12 test standard.

\*\* Design Pressures include a margin of safety 2:1

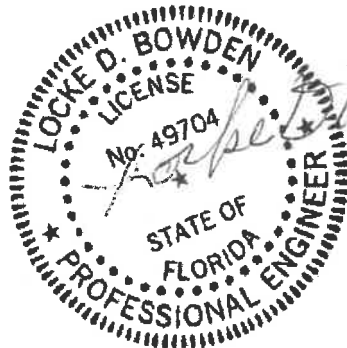
Limitations and Conditions of Use:

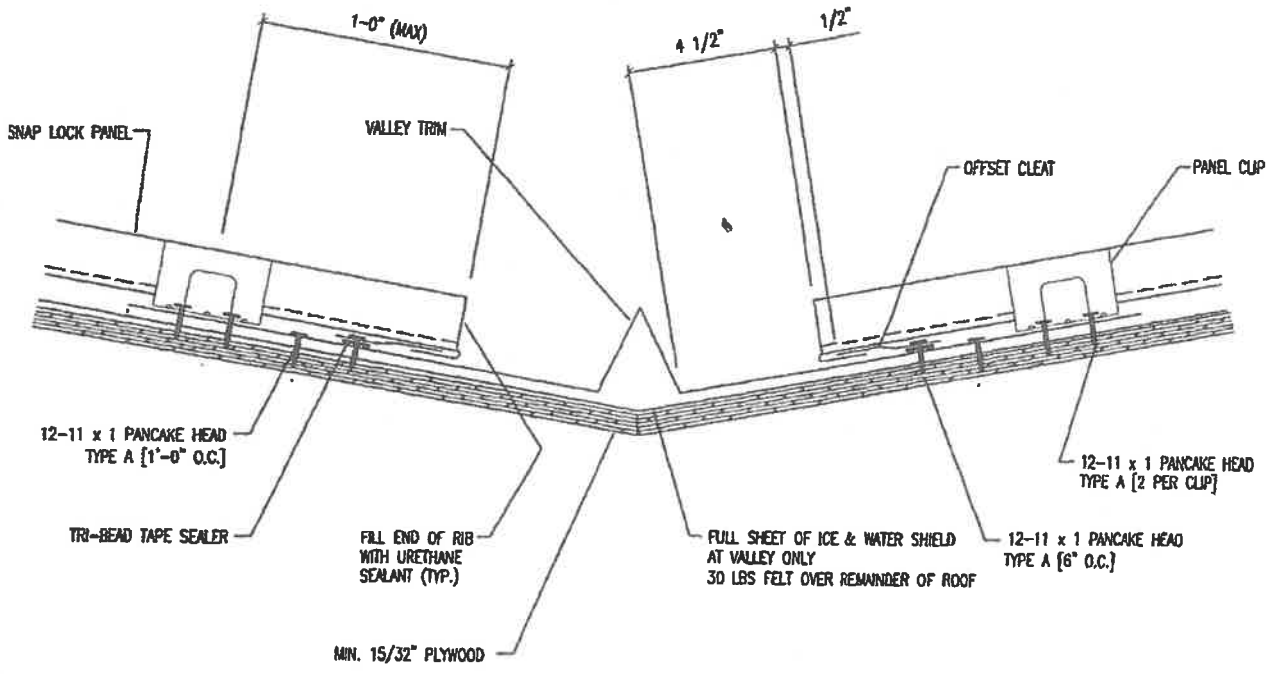
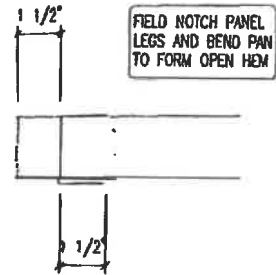
1. Products herein this report are compliant with current Florida Building Code (FBC)
2. Install in compliance with FBC Install per Manufacturer's Installation reference.
3. Product compliant for State of Florida product approval per Rule 61G20-3. Compliance Method: 1-D
4. Fire classification is not part of this acceptance. Shear diaphragm values are outside this report.
5. Support framing compliant w/FBC, Chapter 22 for Steel, Chapter 23 for Wood and Chapter 16 for Structural Loading.
6. This report does not imply warranty, installation, recommended product use outside of this report.

Certificate of Independence:

Locke Bowden, P.E. does not have, nor will acquire a financial interest in any company manufacturing or distributing products under this evaluation.

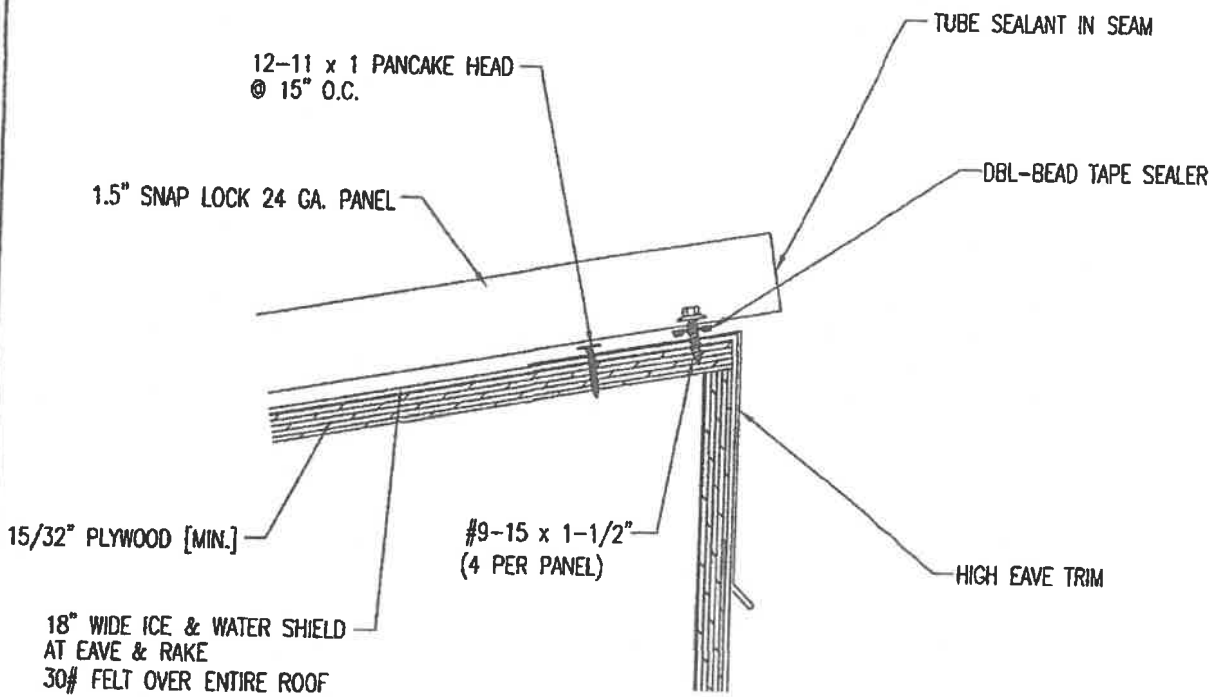
Locke Bowden, P.E. is not owned, operated, or controlled by any company, manufacturer, or distributing products under this report.





**FLOATING VALLEY**

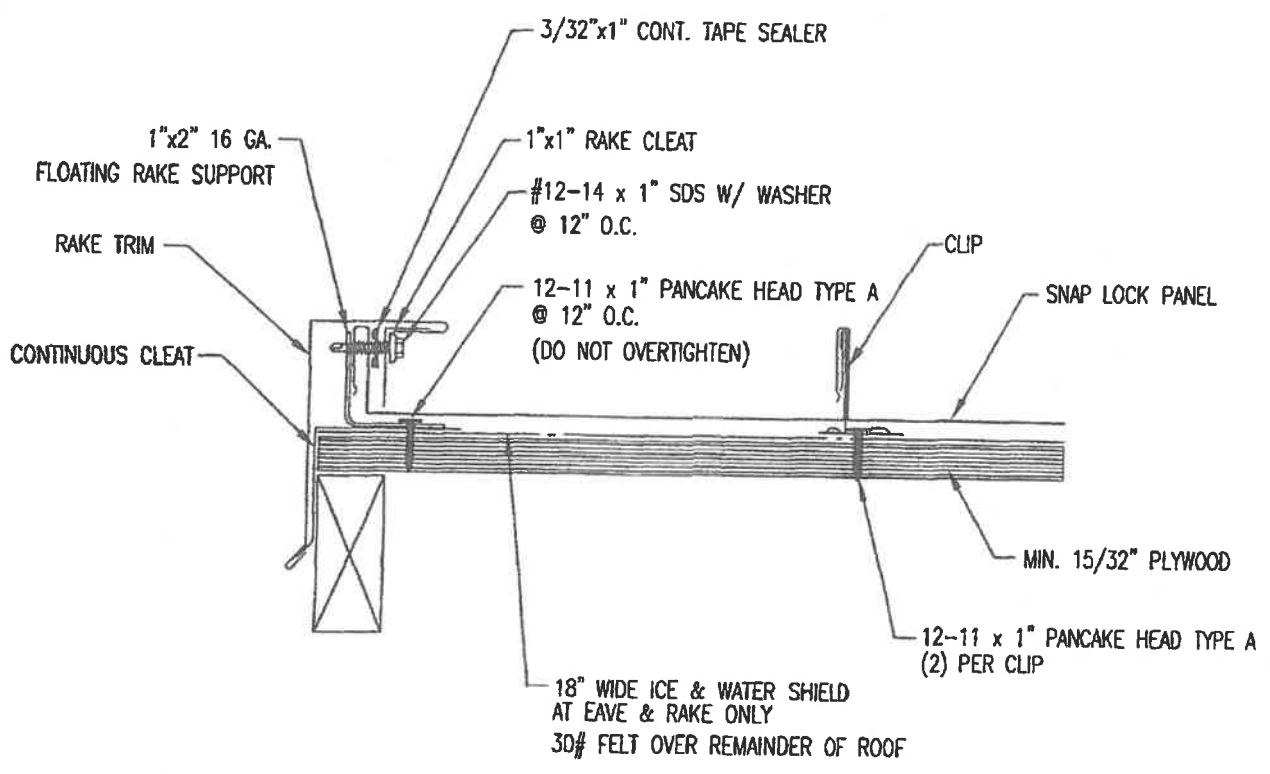
**1.5" SNAP LOCK**



**HIGH EAVE DETAIL**

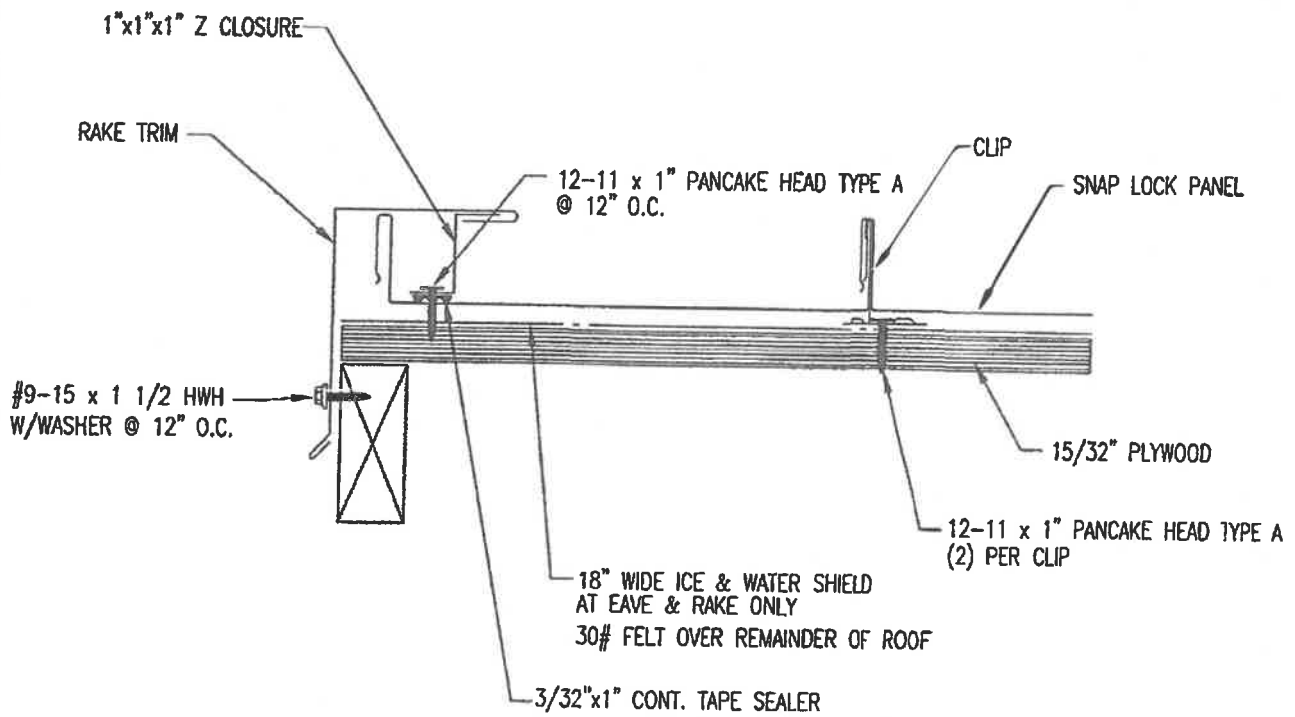
**1.5" SNAP LOCK**

APR 28 2015



**FLOATING RAKE**

**1.5" SNAP LOCK**



**FIXED RAKE**

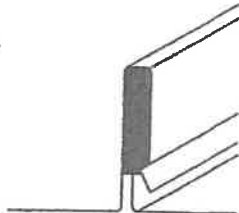
**1.5" SNAP LOCK**

1 1/2"

FIELD NOTCH PANEL  
LEGS AND BEND PAN  
TO FORM OPEN HEM



1 1/2"

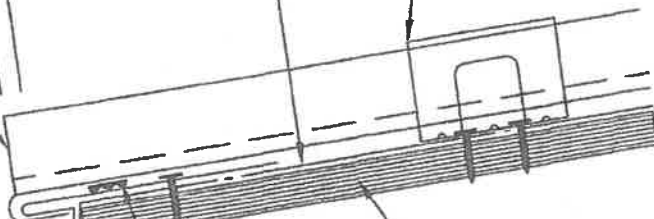


FILL END OF RIB WITH  
URETHANE SEALANT.  
TYP.

1/2" OVERHANG

18" WIDE ICE & WATER SHIELD  
AT EAVE & RAKE ONLY  
30# FELT OVER REMAINDER OF ROOF

PANEL CLIP MAX 8" FROM EAVE

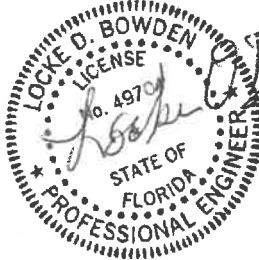


MIN. 15/32" PLYWOOD

12-11 x 1" PANCAKE HEAD TYPE A  
@ 12" O.C.

EAVE TRIM

3/32" x 1" TAPE SEALER



*Locke D. Bowden*  
2/2/21

**FLOATING EAVE**

**1.5" SNAP LOCK**