

**EVALUATION REPORT OF
UNION CORRUGATING COMPANY
'29 GA. MASTERRIB PANEL'**

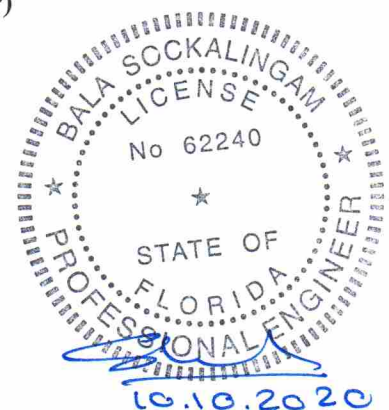
**FLORIDA BUILDING CODE 7TH EDITION (2020)
FLORIDA PRODUCT APPROVAL
FL 20484.6-R2
ROOFING
METAL ROOFING**

**Prepared For:
Union Corrugating Company
701 S. King St.
Fayetteville, NC 28301
Telephone: (910) 483-0479
Fax: (910) 483-1091**

**Prepared By:
Bala Sockalingam, Ph.D., P.E.
Florida Professional Engineer #62240
1216 N Lansing Ave., Suite C
Tulsa, OK 74106
Telephone: (918) 492-5992
FAX: (866) 366-1543**

**This report consists of
Evaluation Report (3 Pages including cover)
Installation Details (1 Page)**

**Report No. C2401-6
Date: 10.10.2020**



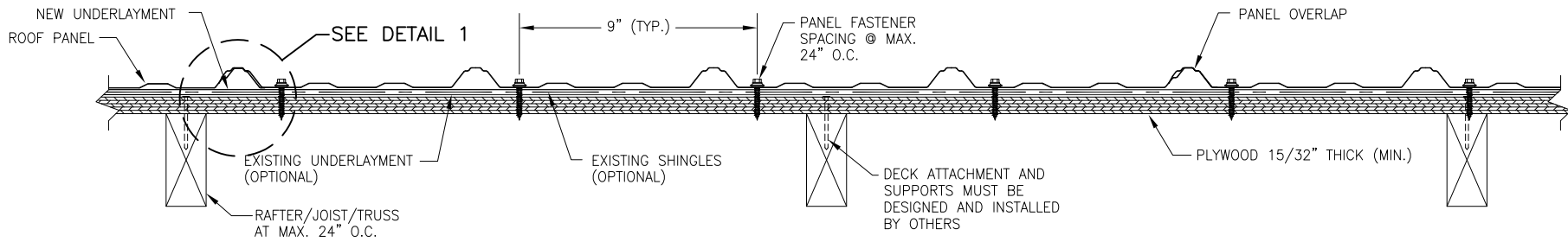
Manufacturer:	Union Corrugating Company
Product Name:	MasterRib Panel
Panel Description:	36" wide coverage with 3/4" high ribs at 9" o.c.
Materials:	Minimum 29 ga., 80 ksi steel. Galvanized coated steel (ASTM A653) or Galvalume coated steel (ASTM A792) or painted steel (ASTM A755). Corrosion resistant as per FBC 2020 Section 1507.4.3.
Deck Description:	Min. 15/32" thick APA rated plywood or min. 3/4" thick wood plank (min SG of 0.42) for new and existing constructions. Designed by others and installed as per FBC 2020.
New Underlayment:	Minimum underlayment as per FBC 2020 Section 1507.4.5.1. Required for new construction.
Existing Underlayment: (Optional)	One layer of asphalt shingles over one layer of #30 felt. For reroofing construction only.
Slope:	1/2:12 or greater in accordance with FBC 2020 Section 1507.4.2
Design Uplift Pressure: (Factor of Safety = 2)	56.0 psf for Fastening System 1 88.5 psf for Fastening System 2
Fastening System 1 At interior At panel ends	#10-15 x 1.5" long wood screw with washer at 24" o.c. Fasteners are corrosion resistant as per FBC 2020 Section 1507.4.4. 9" o.c. across panel width (One fastener at each rib) 5.5"-3.5"-5.5" o.c. across panel width
Fastening System 2 At all locations	#10-15 x 1.5" long wood screw with washer at 24" o.c. Fasteners are corrosion resistant as per FBC 2020 Section 1507.4.4. at 5.5"-3.5"-5.5" o.c. across panel width (Two fasteners at each rib)
Sidelap Attachment: (Optional)	1/4"-14 x 7/8" long SDS with washer at max 24" o.c. Fasteners are corrosion resistant as per FBC 2020 Section 1507.4.4.
Test Standards:	Roof assembly tested in accordance with UL580-06 'Uplift Resistance of Roof Assemblies' & UL1897-04 'Uplift Tests for Roof Covering Systems' and FM 4470 Section 5.5 'Resistance to Foot Traffic'.
Test Equivalency:	The test procedures in UL 1897-04 comply with test procedures prescribed in UL 1897-12. The test procedure in FM 4470 (1992) comply with test procedure prescribed in FM 4470 (2016) Section 4.6 'Resistance to Foot Traffic'.

Code Compliance: The product described herein has demonstrated compliance with FBC 2020 Section 1507.4.

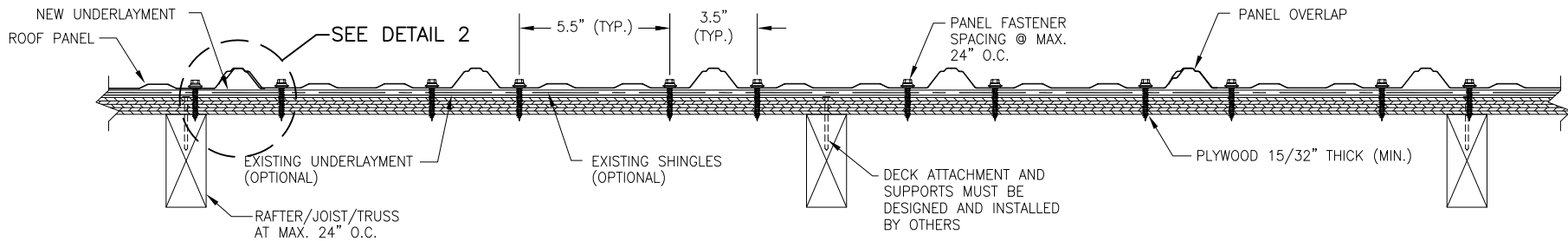
Product Limitations: Design wind loads shall be determined for each project in accordance with FBC 2020 Section 1609 or ASCE 7-16 using allowable stress design. The maximum fastener spacing listed herein shall not be exceeded. This evaluation report is not applicable in High Velocity Hurricane Zone. Fire classification is not within scope of this Evaluation Report. Refer to FBC 2020 Section 1505 and current approved roofing materials directory or ASTM E108/UL790 report from an accredited laboratory for fire ratings of this product.

Supporting Documents: UL580 & UL1897 Test Reports
Farabaugh Engineering and Testing Inc.
Project No. T198-16, Reporting Date 5/16/16

FM 4470 Test Report
ENCON Technology Inc.
C1583-2, Reporting Date 7/24/08

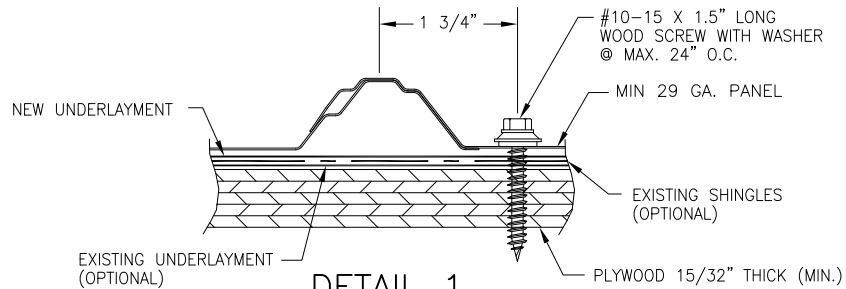


FASTENING SYSTEM 1

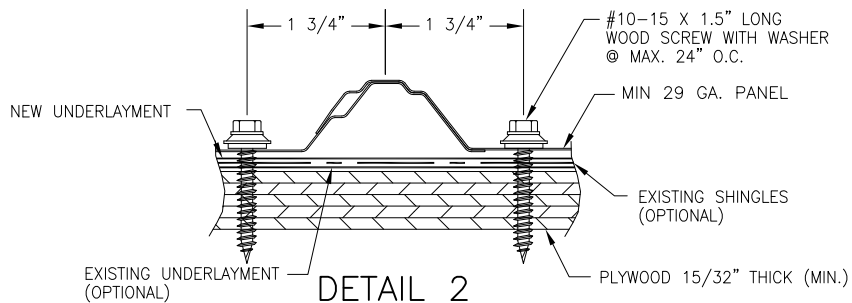


FASTENING SYSTEM 2

TYPICAL PANEL INSTALLATION X-SECTION



DETAIL 1



DETAIL 2

ALLOWABLE UPLIFT PRESSURE

FASTENING SYSTEM	PRESSURE (PSF)
1	56.0
2	88.5

GENERAL NOTES:

1. ARCHITECTURAL ROOF PANEL HAS BEEN DESIGNED IN ACCORDANCE WITH THE FLORIDA BUILDING CODE (FBC).
2. ROOF PANELS SHALL BE MINIMUM 29 GA. EFFECTIVE COVERING WIDTH OF PANEL = 36".
3. THE ROOF PANELS SHALL BE INSTALLED OVER SHEATHING & STRUCTURE AS SPECIFIED ON THIS DRAWING.
4. REQUIRED DESIGN WIND LOADS SHALL BE DETERMINED FOR EACH PROJECT. THIS PANEL SYSTEM MAY NOT BE INSTALLED WHEN THE REQUIRED DESIGN WIND LOADS ARE GREATER THAN THE ALLOWABLE WIND LOAD TABLE.
5. ALL FASTENERS MUST BE IN ACCORDANCE WITH THIS DRAWING & THE FLORIDA BUILDING CODE. IF A DIFFERENCE OCCURS BETWEEN THE MINIMUM REQUIREMENTS OF THIS DRAWING & THE CODE, THE CODE SHALL CONTROL.
6. RAFTERS/JOISTS/TRUSSES MUST BE DESIGNED TO WITHSTAND WIND LOADS AS REQUIRED FOR EACH APPLICATION AND ARE THE RESPONSIBILITY OF OTHERS.

DRAWN BY: B.S.	CHECKED BY: J.S.
PLOT:	DATE: 9/23/16
NO.	REVISION DESCRIPTION

DRAWING TITLE: **MASTERRIB PANEL**

CONSULTANTS:
BALA SOCKALINGAM, PH.D., P.E.
1216 N LANSING AVE, SUITE C
TULSA, OK 74106
PHONE: 918-492-5992 FAX: 866-366-1543

MANUFACTURER:
UNION CORRUGATING CO.
701 S. KING STREET
FAYETTEVILLE, NC 28301
910-483-2195

DRAWING NO. C2401-6	REV.
SHEET NO. 1	OF 1